

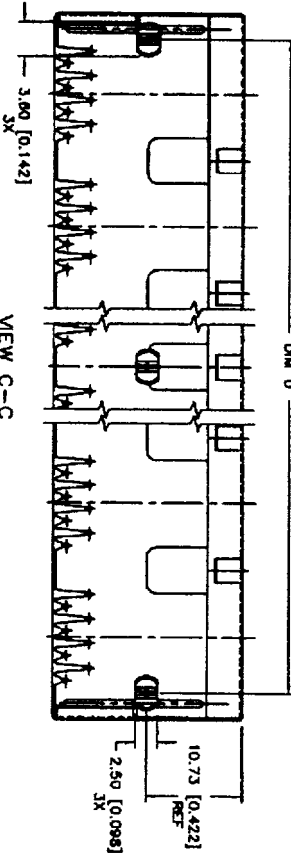
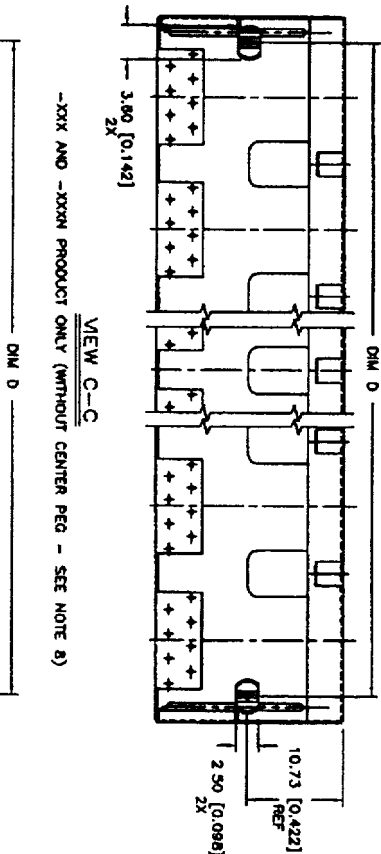
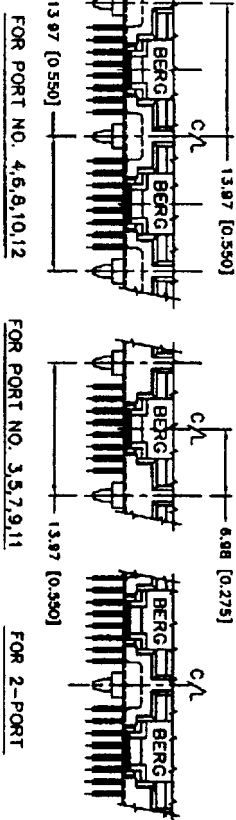
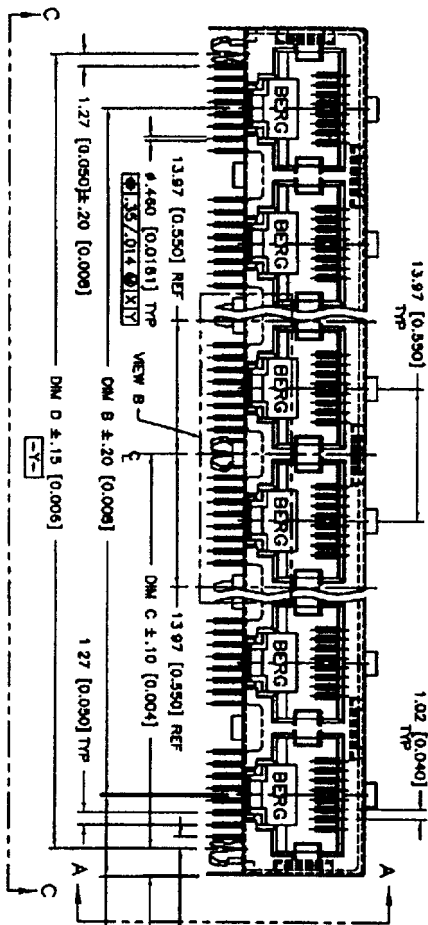
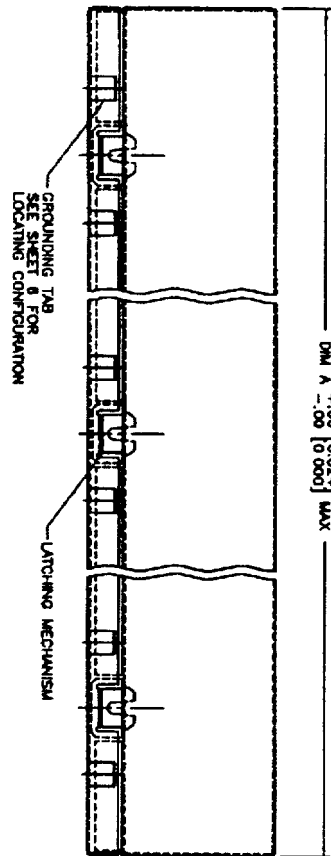
All rights strictly reserved. Reproduction or issue to third parties in any form whatsoever is not permitted without written authority from the proprietor Property of © BERG ELECTRONICS Copyright BERG ELECTRONICS INC.



Tous droits strictement reserves. Reproduction ou communication a des tiers interdite sous quelque forme que ce soit sans autorisation ecrite du proprietaire. Propriete de © BERG ELECTRONICS. Droits de reproduction BERG ELECTRONICS INC.

form no. 7530-001-103

PRODUCT NO.
SEE TABLE



2.76 [0.110] $\pm .20$ [0.008] -X02M THRU -X12M, -X02 THRU -X12 & -X02M THRU -X12M
2.16 [0.085] $\pm .20$ [0.008] -X01M, -X01M, -X01, -X01A, -X01N & -X01M
8.51 [0.335] -X02M THRU -X12M, -X02 THRU -X12 & -X02M THRU -X12M
7.87 [0.310] -X01M, -X01M, X01, -X01A, -X01N & -X01M

-XXXM PRODUCT ONLY (WITH CENTER PEG - SEE NOTE 7)

VIEW C-C

-XXX AND -XXXM PRODUCT ONLY (WITHOUT CENTER PEG - SEE NOTE 8)

VIEW C-C

(CENTER PEG OMITTED FOR CLARITY, -XXXM PRODUCT ONLY)

REV	DATE	DESCRIPTION	BY	CHKD	APP'D	DATE	DESCRIPTION	BY	CHKD	APP'D	DATE	DESCRIPTION
D	10/8/95	ISS										
E	10/31/95	LSS										
F	9/27/95	LSS										
G	9/27/95	GM										
H	1/14/96	GM										
J	9/8/97	GM										
K	7/18/98	RGD										



8 POS GANG JACK, ASSY
SHIELDED, SNAP PEG
MOD JACK

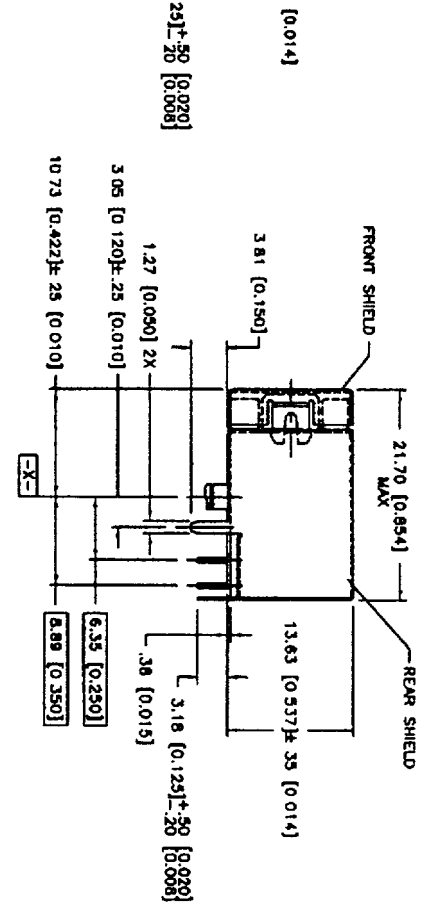
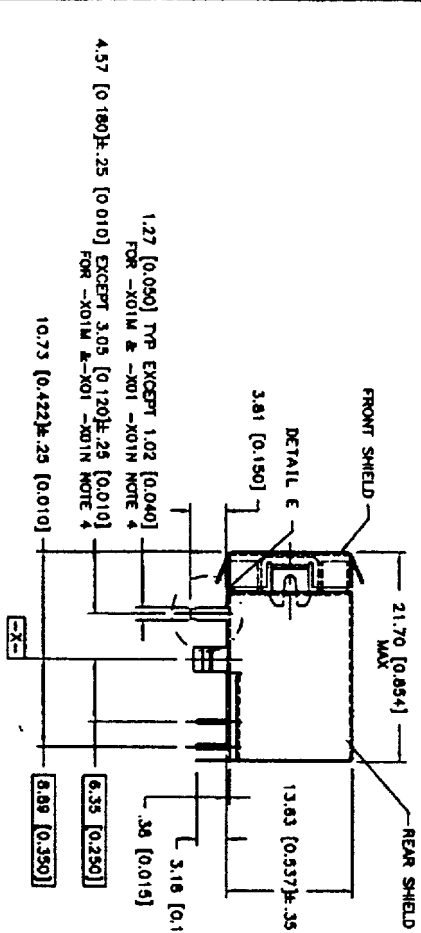
code 22526

All rights strictly reserved. Reproduction or issue to third parties in any form whatsoever is not permitted without written authority from the proprietor.
Property of © BERG ELECTRONICS Copyright BERG ELECTRONICS INC.



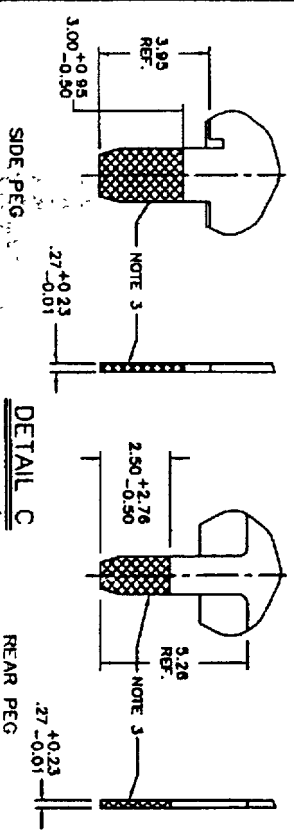
Tous droits strictement reserves. Reproduction ou communication a des tiers interdite sous quelque forme que ce soit sans autorisation écrite de propriétaire.
Propriete de © BERG ELECTRONICS. Droits de reproduction BERG ELECTRONICS INC.

PRODUCT NO
SEE TABLE



VIEW A-A
P/N-X01AM, -X01A & -X01AN ONLY
NOTE 5

- NOTES:
1. RECOMMENDED P.C.B. THICKNESS 1.60 [0.063].
 2. CONTACTS: PHOS BRONZE ALLOY UNS-C51000, # 0.480 [0.0181] ROUND WIRE.
 3. SHIELDING MATL: .25 [0.010] THICK BRASS ALLOY.
SHIELDING PLATING: FOR 94910-XXX & 94910-XXXX: 2.54µm/100µ" MIN BRIGHT TIN OR TIN-LEAD PLATED OVER 0.76µm/30µ" MIN NICKEL UNDERPLATING PER BUS-15-002/M.
FOR 94910-XXXX: 0.76µm/30µ" MIN NICKEL PLATING, WITH SELECTIVE TIN LEAD ON SOLDER TAILS, SEE DETAIL E.
 4. SPECIALLY FOR ONE-PORT P/N 94910-X01M, 94910-X01 & 94910-X01N ONLY. SOLDER TAIL OF SHIELD IS 1.02 [0.040] WIDE, DISTANCE FROM PCB PEG TO THE SOLDER TAIL IS 3.05 [0.120].
 5. SPECIALLY FOR ONE-PORT P/N 94910-X01AM, 94910-X01A & 94910-X01AN ONLY. SOLDER TAIL OF SHIELD IS 1.27 [0.050] WIDE, DISTANCE FROM PCB PEG TO THE SOLDER TAIL IS 3.05 [0.120].
 6. ALL DIMENSIONS IN MILLIMETERS/INCHES.
 7. CENTER PEG FOR B-PORTS AND ABOVE. (-XXXX PRODUCT ONLY).
 8. NO CENTER PEG AVAILABLE ON -XXX & -XXXX PRODUCT.



DETAIL C
SCALE: 3/1

rev	ect no	dr	date	tolerances unless otherwise specified	CUSTOMER COPY	projection	title
K				XX.15/XX06.005 XX.051/XX06.0020			R/A. 8 POS GANG JACK ASSY SHIELDED. SNAP PEG
				XX.57/XX6.01			MOD JACK
				XX.15/XX06.005			94910
				XX.051/XX06.0020			2 d
							22526

All rights strictly reserved. Reproduction or issue to third parties in any form
 whatever is not permitted without written authority from the proprietor.
 Property of BERG ELECTRONICS Copyright BERG ELECTRONICS INC.



Tous droits strictement reserves. Reproduction ou communication a des tiers interdite
 sous quelque forme que ce soit sans autorisation écrite du propriétaire.
 Propriete de BERG ELECTRONICS. Droits de reproduction BERG ELECTRONICS INC.

PRODUCT No.	No. OF PORTS	DIM A +.80 [0.024]	DIM B	DIM C ±.10 [0.004]	DIM D ±.15 [0.006]	GROUND LEG NO. ON THE BACK (VIEW B)	NOTE
94910-X01	1	15.74 [0.620]	---	5.72 [0.225]	11.43 [0.450]	NONE	NOTE 4
94910-X01A	1	15.74 [0.620]	---	5.72 [0.225]	11.43 [0.450]	NONE	NOTE 5
94910-X02	2	30.98 [1.220]	13.97 [0.550]	12.70 [0.500]	25.40 [1.000]	1	---
94910-X03	3	44.95 [1.770]	27.94 [1.100]	18.89 [0.775]	39.37 [1.550]	2	---
94910-X04	4	58.92 [2.320]	41.91 [1.650]	26.67 [1.050]	53.34 [2.100]	3	---
94910-X05	5	72.89 [2.870]	55.86 [2.200]	33.86 [1.325]	67.31 [2.650]	2	---
94910-X06	6	86.86 [3.420]	69.85 [2.750]	40.84 [1.600]	81.28 [3.200]	3	---
94910-X07	7	100.83 [3.970]	83.82 [3.300]	47.83 [1.875]	95.25 [3.750]	2	---
94910-X08	8	114.80 [4.520]	97.78 [3.850]	54.81 [2.150]	109.22 [4.300]	3	---
94910-X09	9	128.77 [5.070]	111.76 [4.400]	61.80 [2.425]	123.19 [4.850]	2	---
94910-X10	10	142.74 [5.620]	125.73 [4.950]	68.88 [2.700]	137.16 [5.400]	3	---
94910-X11	11	156.71 [6.170]	139.70 [5.500]	75.87 [2.975]	151.13 [5.950]	2	---
94910-X12	12	170.68 [6.720]	153.67 [6.050]	82.85 [3.250]	165.10 [6.500]	3	---

PLATING CODE X	PLATING
0	.76µM/.30U" G.X T
1	.36µM/.15U" GOLD
3	.76µM/.30U" GOLD
5	1.27µM/.50U" GOLD

sheet index		sheet index	
sheet		sheet	
revision		revision	
date		date	
dr		dr	
ecr no		ecr no	
proj		proj	
engr		engr	
ch		ch	
app		app	
KCHOU		KCHOU	
TC		TC	
JTSMD		JTSMD	
JTSMD		JTSMD	
5/4/94		5/4/94	
5/4/94		5/4/94	
scale 1.1		scale 1.1	
A4		A4	
sheet 3 of 4		sheet 3 of 4	
customer copy		customer copy	
projection		projection	
R/A B POS GANG JACK ASSY		R/A B POS GANG JACK ASSY	
SHIELDED SNAP PEG		SHIELDED SNAP PEG	
MOD JACK		MOD JACK	
product family		product family	
sheet no		sheet no	
94910		94910	
code		code	
22526		22526	

Form no. 753V-001-103

1 2

3

4



Tous droits strictement reserves. Reproduction ou communication a des tiers interdite sous quelque forme que ce soit, sans autorisation écrite du propriétaire.
 Property of ©BERG ELECTRONICS. Droits de reproduction BERG ELECTRONICS INC.

All rights strictly reserved. Reproduction or issue to third parties in any form whoever is not permitted without written authority from the proprietor.
 Property of ©BERG ELECTRONICS Copyright BERG ELECTRONICS INC.

PRODUCT No.	No. OF PORTS	DIM A +.80 [0.024]	DIM B	DIM C ±.10 [0.004]	DIM D ±.15 [0.006]	GROUND LUG NO. ON THE BACK (OVER 8)	NOTE
94910-X01N	1	15.74 [0.620]	-----	5.72 [0.225]	11.43 [0.450]	NONE	NOTE 4
94910-X01AN	1	15.74 [0.620]	-----	5.72 [0.225]	11.43 [0.450]	NONE	NOTE 5
94910-X02N	2	30.98 [1.220]	13.87 [0.550]	12.70 [0.500]	25.40 [1.000]	1	---
94910-X03N	3	44.95 [1.770]	27.94 [1.100]	19.69 [0.775]	39.37 [1.550]	2	---
94910-X04N	4	58.92 [2.320]	41.91 [1.650]	26.67 [1.050]	53.34 [2.100]	3	---
94910-X05N	5	72.89 [2.870]	55.88 [2.200]	33.66 [1.325]	67.31 [2.650]	2	---
94910-X06N	6	86.86 [3.420]	69.85 [2.750]	40.64 [1.600]	81.28 [3.200]	3	---
94910-X07N	7	100.83 [3.970]	83.82 [3.300]	47.63 [1.875]	95.25 [3.750]	2	---
94910-X08N	8	114.80 [4.520]	97.79 [3.850]	54.61 [2.150]	109.22 [4.300]	3	---
94910-X08N	9	128.77 [5.070]	111.76 [4.400]	61.60 [2.425]	123.19 [4.850]	2	---
94910-X10N	10	142.74 [5.620]	125.73 [4.950]	68.58 [2.700]	137.16 [5.400]	3	---
94910-X11N	11	156.71 [6.170]	139.70 [5.500]	75.57 [2.975]	151.13 [5.950]	2	---
94910-X12N	12	170.68 [6.720]	153.67 [6.050]	82.56 [3.250]	165.10 [6.500]	3	---

PLATING CODE X	PLATING
0	.76µM / 30u" G.X.T.
1	.38µM / 15u" GOLD
3	.76µM / 30u" GOLD
5	1.27µM / 50u" GOLD

mat'l code		tolerance unless otherwise specified		CUSTOMER COPY		BERG ELECTRONICS	
item no.	date	linear	angular	projection	UN	product family	code
		MIL-STD-13 / 2004-005 2004.051 / 2004-005	AS Y / 2004.01		R/A. 8 POS GANG JACK ASSY SHIELDED SNAP PEG	MOD JACK	
sheet	revision	engr	ch	scale			
index	sheet	appd	appd	1:1			
		TC	JTSO	mm / INCH	A4		
		JTSO	JTSO				
		JTSO	JTSO				

form no 7530-001-103

1 2

3

4

scope code
22526

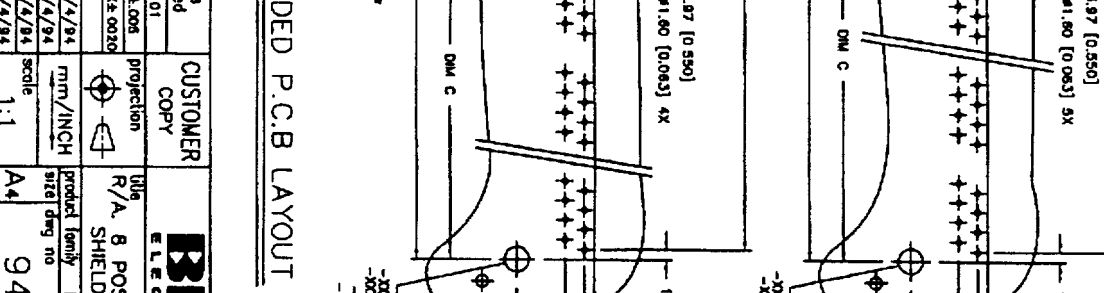
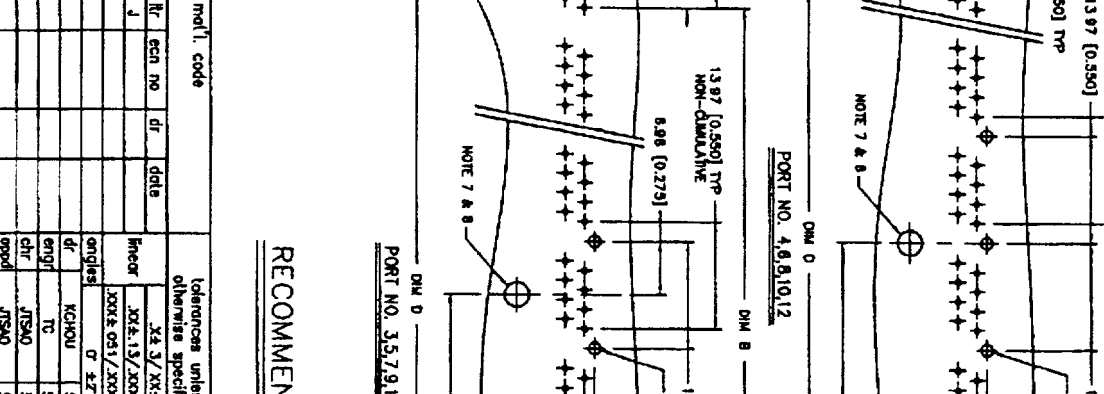
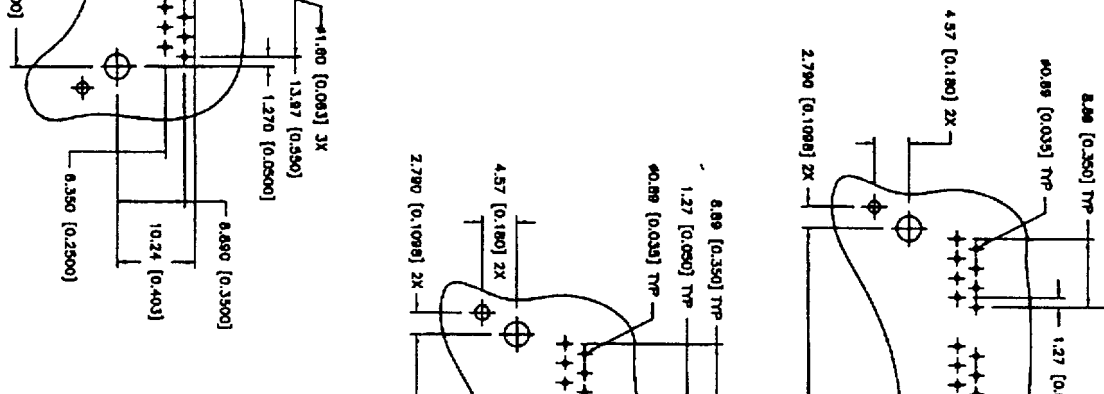
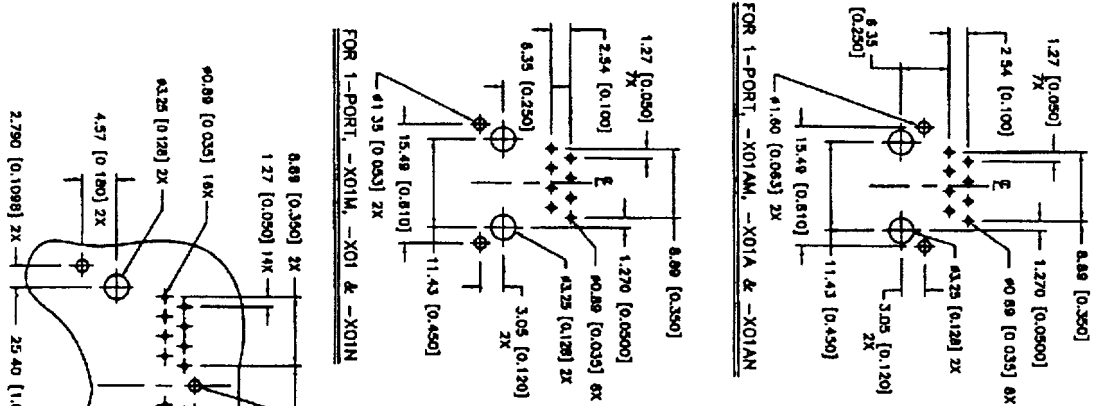
All rights strictly reserved. Reproduction or issue to third parties in any form
whichever is not permitted without written authority from the proprietor.
Property of © BERG ELECTRONICS Copyright BERG ELECTRONICS INC.



Tous droits strictement réservés. Reproduction ou communication à des tiers interdite
sous quelque forme que ce soit sans autorisation écrite du propriétaire.
Propriété de © BERG ELECTRONICS. Droits de reproduction BERG ELECTRONICS INC.

form no. 7530-001-103

PRODUCT NO.
SEE TABLE



RECOMMENDED P.C.B LAYOUT

PORT NO. 4, 9, 9, 10, 12

PORT NO. 3, 5, 7, 9, 11

41.25 [0.128] -ROOM 8 & 11 PORTS-2X
-ROOM 9 & 12 PORTS-2X
-ROOM ALL PORTS-2X

43.25 [0.128] -ROOM 9 & 10 & 12 PORTS-3X
-ROOM 10 & 11 PORTS-2X
-ROOM ALL PORTS-2X

mod'l. code		customer COPY		BERG ELECTRONICS
ref.	ecm no.	dr.	date	
1				
tolerances unless otherwise specified		projection		
linear	XX.X/XX.X 01	ASME Y14.5		
angles	XX.X/XX.X 006	MIL-STD-208		
dr.	0 ± 0.005	1:1		
engl.	KCKOU 5/4/94	mm/INCH		
chf.	TU 5/4/94	product family		MOD JACK
appd.	JPSAO 5/4/94	product no.		94910
sheet	revision	sheet		5 of
index	sheet	code		22526

All rights strictly reserved. Reproduction or issue to third parties in any form whatsoever is not permitted without written authority from the proprietor.
 Property of ©BERG ELECTRONICS Copyright BERG ELECTRONICS INC.

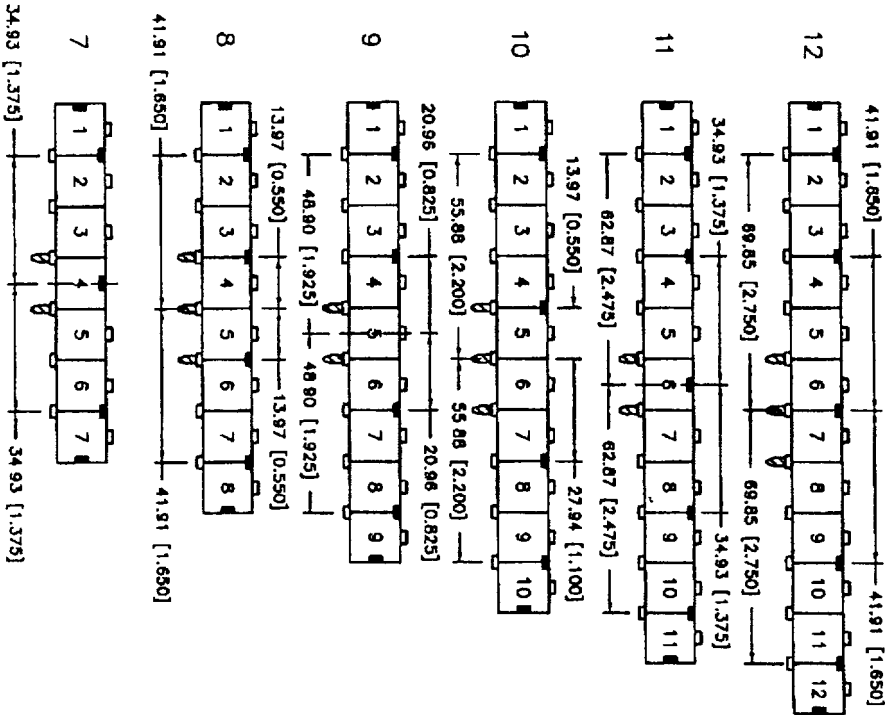


Tous droits strictement reserves. Reproduction ou communication a des tiers interdite sous quelque forme que ce soit sans autorisation écrite du propriétaire.
 Propriete de ©BERG ELECTRONICS. Droits de reproduction BERG ELECTRONICS INC.

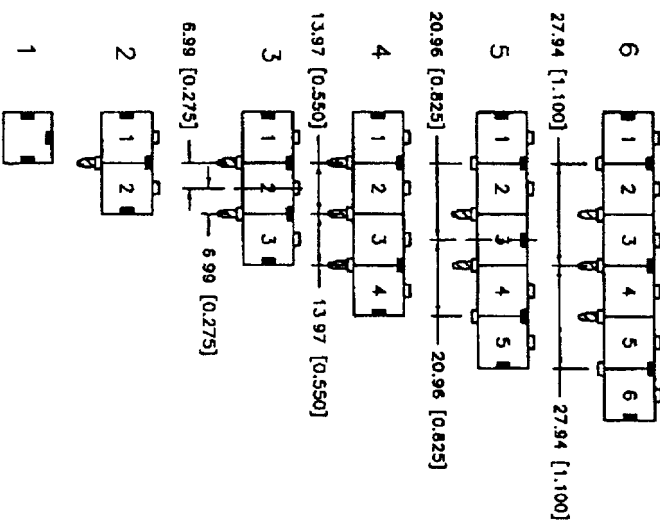
LATCHING AND GROUNDING TAB LOCATING CONFIGURATION

- INDICATES LATCHING TAB (SEE SHEET 1)
- INDICATES GROUNDING TAB ON THE FRONT OF PRODUCT (SEE SHEET 1)
- INDICATES GROUNDING LEG ON THE BACK OF PRODUCT (VIEW B)

PORT NUMBERS



PORT NUMBERS



form no 7530-001-103

1 2

mat'l code		date		laborer unless otherwise specified		CUSTOMER COPY		BERG ELECTRONICS	
part	ech no	dr	date	name	date	proj	copy	size	code
				XXXX.XX/XXXX.XX	5/4/84	1:1		A4	
sheet	revision			engr	5/4/84				
index	sheet			appd	5/4/84				
								product family MOD JACK	
								94910	
								sheet 6 of 6	
								code 22526	

8