



SPECIFICATION AND APPROVALS

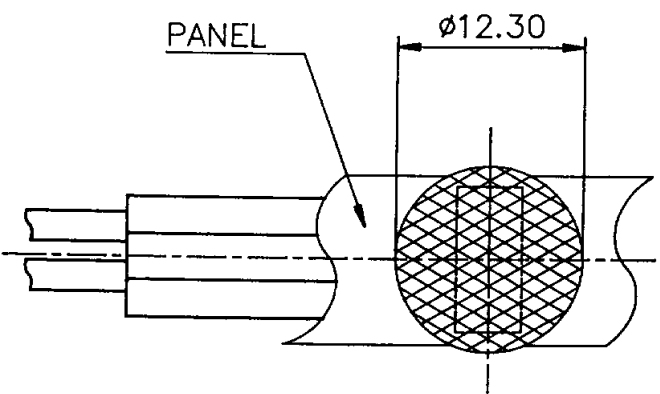
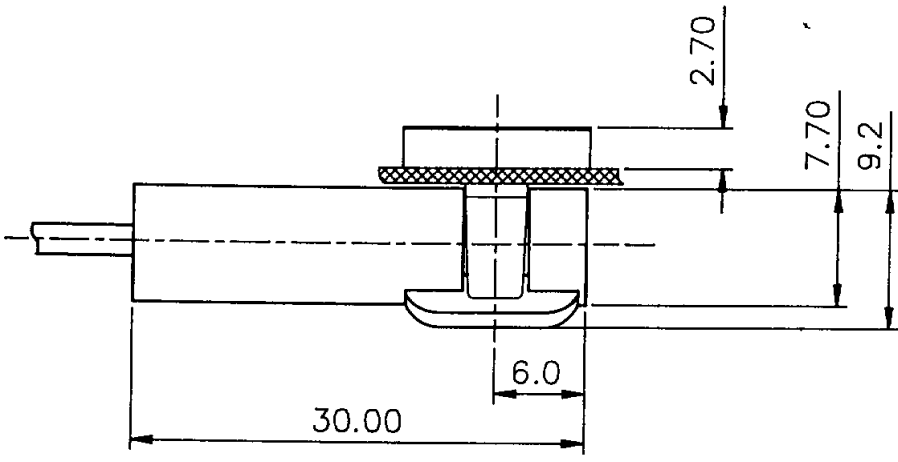
- 1) Model Number . Ned Kellys MC 3151-81-03/A
Multicomp PN#179-781
- 2) Description : Amber Indicator
- 3) Rating : 110-125VAC or 240-250VAC, 0.3W
110 or 240/250VAC, 0.3W
- 4) Life : > 30,000 hours for neon lamp
> 15,000 hours for filament lamp

Issued by : ABF

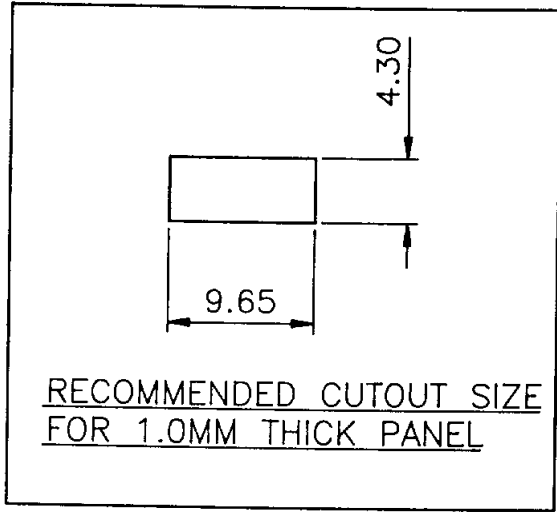
Date : 23 September 1998

© COPYRIGHT 1998 BY SPC TECHNOLOGY. ALL RIGHTS RESERVED. NO PORTION OF THIS PUBLICATION, WHETHER IN WHOLE OR IN PART CAN BE REPRODUCED WITHOUT THE EXPRESS WRITTEN CONSENT OF SPC TECHNOLOGY

REVISIONS			DOC NO SPC-F004, Total Pages 2 Effective: 7/15/97 DCP No 229 Supersedes DCP No 103					
DCP #	REV	DESCRIPTION	DRAWN	DATE	CHECKD	DATE	APPRVD	DATE



PANEL CUT-OUT POSITION



SPC-F004 DWG

DISCLAIMER: ALL STATEMENTS AND TECHNICAL INFORMATION CONTAINED HEREIN ARE BASED UPON INFORMATION AND/OR TESTS WE BELIEVE TO BE ACCURATE AND RELIABLE. SINCE CONDITIONS OF USE ARE BEYOND OUR CONTROL, THE USER SHALL DETERMINE THE SUITABILITY OF THE PRODUCT FOR THE INTENDED USE AND ASSUME ALL RISK AND LIABILITY WHATSOEVER IN CONNECTION THEREWITH.



DRAWN BY:	DATE:	DRAWING TITLE NK AMBER INDICATOR MC 3151-81-03/A	MULTICOMP PN: 179-781				
	CHECKED BY		DATE:	SIZE	DWG. NO	ELECTRONIC FILE	REV
	APPROVED BY:		DATE:	SCALE: 2 1	U O M.	SHEET: 1 OF	