

GENERAL DESCRIPTION

This product is a sealed plastic stick containing three DS1921G iButtons®. The iButtons are connected in parallel through metal plates that are spot-welded to the IO and GND contact, respectively. Two stranded wires protruding from the top end of the stick allow for a 1-Wire® reader/write to make contact to the iButtons for setup and data retrieval. Electrically, the product is specified by the DS1921G data sheet, with the proper scaling (e.g., current x3, capacitance x3). The mechanical and thermal characteristics of the module are specified in this document.

APPLICATIONS

Concrete Maturity Monitoring

FEATURES

- Three DS1921G networked to monitor temperature at the top, bottom and center of the stick
- Connects to 1-Wire reader/writer through color-coded 18 AWG (1 mm Ø) stranded wires with ½ inch (1.3 cm) stripped ends
- Electrically compatible to the DS1921G Thermochron iButton (3 in parallel)
- Sealed against liquid intrusion
- Module position information stored in DS1921G memory

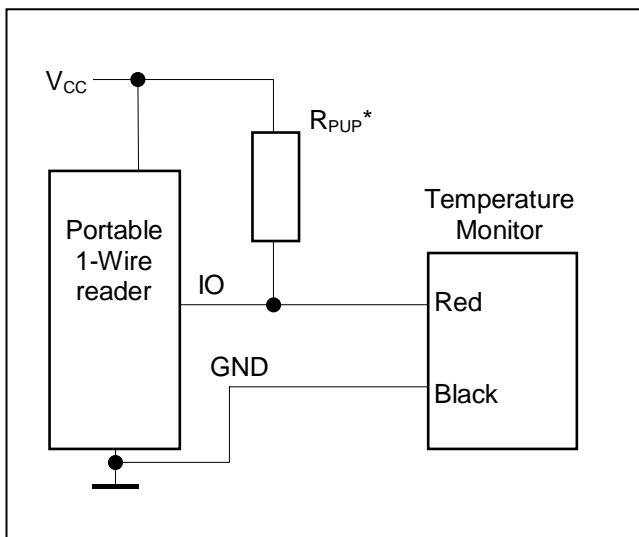
ORDERING INFORMATION

PART	TEMP RANGE	PIN-PACKAGE
DS9108-8#	-20°C to 65°C	8" (20.3 cm) depth*
DS9108-10#	-20°C to 65°C	10" (25.4 cm) depth
DS9108-12#	-20°C to 65°C	12" (30.5 cm) depth
DS9108-15#	-20°C to 65°C	15" (38.1 cm) depth

Shipped in bulk with the wires bundled with a tie

* Indicates depth of concrete to monitor, actual stick length is 0.25" (0.6 cm) less than depth

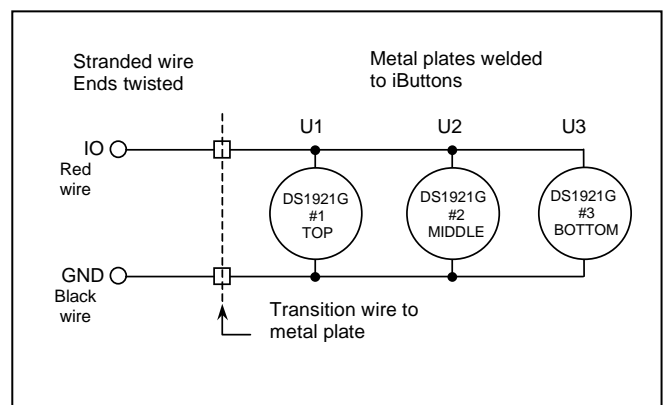
TYPICAL OPERATING CIRCUIT



* See Application Note 3829 for R_{pup} resistor size selection.

iButton and 1-Wire are registered trademarks of Dallas Semiconductor.

BLOCK DIAGRAM



Note: Some revisions of this device may incorporate deviations from published specifications known as errata. Multiple revisions of any device may be simultaneously available through various sales channels. For information about device errata, click here: www.maxim-ic.com/errata.

ABSOLUTE MAXIMUM RATINGS

Voltage Range on Any Pin Relative to Ground
 Operating Temperature Range
 Storage Temperature Range

See DS1921G Datasheet
 -4°F to 149°F (-20°C to +65°C)
 See DS1921G Datasheet

Stresses beyond those listed under "Absolute Maximum Ratings" may cause permanent damage to the device. These are stress ratings only, and functional operation of the device at these or any other conditions beyond those indicated in the operational sections of the specifications is not implied. Exposure to the absolute maximum rating conditions for extended periods may affect device.

SPECIFICATIONS

(See DS1921G datasheet, $T_A = -4^\circ\text{F}$ to 149°F (-20°C to $+65^\circ\text{C}$) (Note 1))

PARAMETER	CONDITIONS	MIN	TYP	MAX	UNITS
Weight			2.5		ounces
			72		grams
Physical Dimensions		See technical drawing			
Wire Length		12.9		13.1	inches
		32.8		33.3	cm
Tensile Strength of Wires		10			lbf
		44.5			Newton
Thermal Response Time	(Note 2)		500		s

Note 1: Assembled module production tested at 77°F (25°C).

Note 2: Response time in water is the time required for the recorded value to read 63% of the temperature's real variation.

Material: PVC with PVC cement and E-60NC black Hysol epoxy for wire sealant

PIN DESCRIPTION

PIN	NAME	FUNCTION
Red Wire	IO	1-Wire bus interface. Open drain, requires external pull-up resistor.
Black Wire	GND	Ground Reference

iButton LOCATION WITHIN MODULE

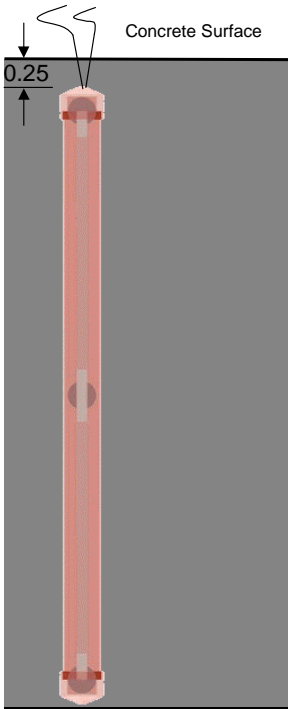
Each DS1921G in the DS9108 module contains a memory tag marker to indicate its position in the assembly. The position mark is a CRC16 validated packet starting on page 15 in the user memory. The memory image for 'TOP', 'MIDDLE', and 'BOTTOM':

Table 1. Memory Tag Description

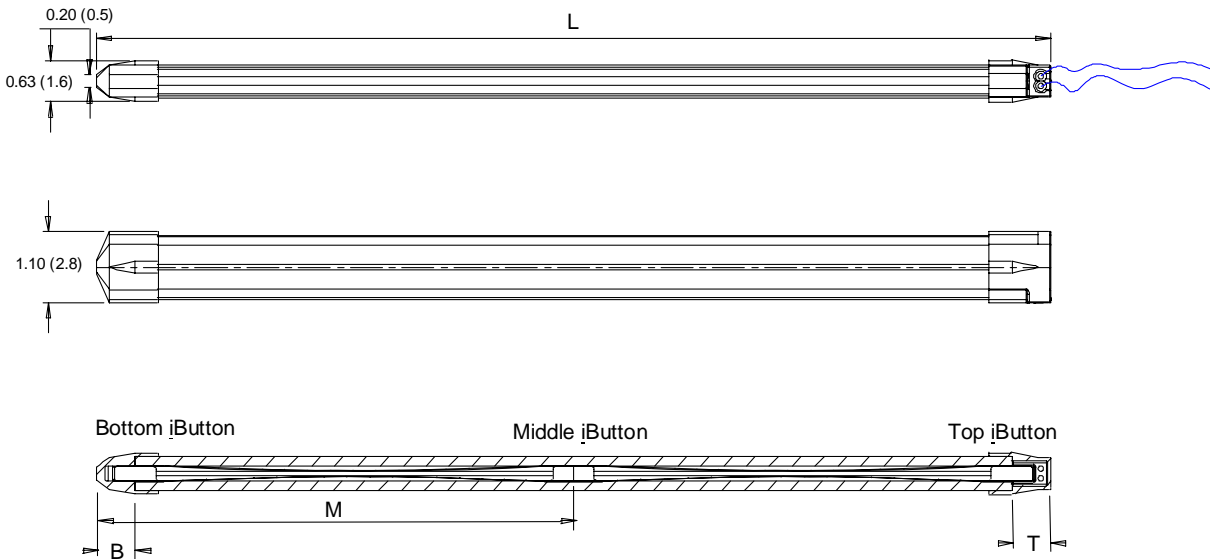
TAG TYPE	ADDRESS	CONTENTS (HEX)	DESCRIPTION
TOP	1E0h–1E3h	01 54 FA 60	'T' in a CRC validated packet
MIDDLE		01 4D 3B AA	'M' in a CRC validated packet
BOTTOM		01 42 7B AE	'B' in a CRC validated packet

TYPICAL OPERATING CHARACTERISTICS

The module is inserted into wet concrete with the top approximately 0.25 inches (0.6 cm) below the surface. The wires are draped on the surface for later data retrieval.



PACKAGE INFORMATION



Concrete Depth	L	B	M	T
8 (20.3)	7.75 (19.7)	.60 (1.5)	3.88 (9.9)	.60 (1.5)
10 (25.4)	9.75 (24.8)	.60 (1.5)	4.88 (12.4)	.60 (1.5)
12 (30.5)	11.75 (29.8)	.60 (1.5)	5.88 (14.9)	.60 (1.5)
15 (38.1)	14.75 (37.5)	.60 (1.5)	7.38 (18.7)	.60 (1.5)

Inches (centimeters)