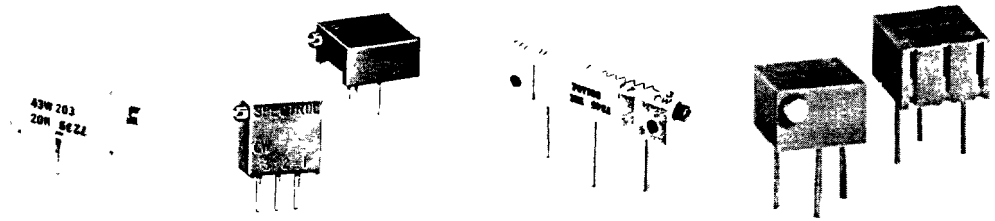


# MULTI-TURN TRIMMERS

-349-781 to 896-



| MODEL                                | 43 *                        | 64 *                   | 70 *                          | 74                     |
|--------------------------------------|-----------------------------|------------------------|-------------------------------|------------------------|
| Description                          | 3/4" Rectangular Multi-Turn | 3/8" Square Multi-Turn | 1-1/4" Rectangular Multi-Turn | 1/4" Square Multi-Turn |
| Element Technology                   | Cermet                      | Cermet                 | Cermet                        | Cermet                 |
| Specifications, Ordering Information | Page 12                     | Page 13                | Page 13                       | Page 14                |

## ELECTRICAL

|                              |                        |                        |                        |                        |
|------------------------------|------------------------|------------------------|------------------------|------------------------|
| Resistance                   |                        |                        |                        |                        |
| Range, Ohms                  | 10Ω to 2MΩ             | 10Ω to 2MΩ             | 10Ω to 2MΩ             | 10Ω to 1MΩ             |
| Tolerance, %                 | ±10%                   | ±10%                   | ±10%                   | ±10%                   |
| TC, PPM / °C                 | ±100, 100Ω ≤ Rt ≤ 2MΩ  | ±100, 100Ω ≤ Rt ≤ 2MΩ  | ±100, 100Ω ≤ Rt ≤ 2MΩ  | ±100                   |
| Power Rating                 |                        |                        |                        |                        |
| Watts at °C                  | 0.75 W at 70°C         | 0.5 W at 85°C          | 1 W at 85°C            | 0.25 W at 85°C         |
| Derate to 0 W at °C          | 125°C                  | 125°C                  | 150°C                  | 125°C                  |
| Electrical Travel            | 20 Turns, Nominal      | 25 Turns, Nominal      | 20 Turns, Nominal      | 12 Turns, Nominal      |
| End Resistance               | 2 Ω Max                | 2 Ω Max                | 2 Ω Max                | 2 Ω Max                |
| Dielectric Withstanding      | 1,000v ac              | 1,000v ac              | 1,000v ac              | 600v ac                |
| Insulation Resistance        | 1,000MΩ                | 1,000MΩ                | 1,000MΩ                | 1,000MΩ                |
| Peak Noise                   |                        |                        |                        |                        |
| Contact Resistance Variation | Greater of 3% Rt or 3Ω | Greater of 2% Rt or 2Ω | Greater of 3% Rt or 3Ω | Greater of 3% Rt or 3Ω |

## MECHANICAL

|                   |                      |                      |                      |                      |
|-------------------|----------------------|----------------------|----------------------|----------------------|
| Stop Strength     | Clutch Idles at Stop | Clutch Idles at Stop | Clutch Idles at Stop | Clutch Idles at Stop |
| Operating Torque  | 5.0 oz-in Max        | 5.0 oz-in Max        | 5.0 oz-in Max        | 3.0 oz-in Max        |
| Rotational Life   | 200 Cycles, Loaded   | 200 Cycles, Loaded   | 200 Cycles, Loaded   | 200 Cycles, Loaded   |
| Weight, Maximum   | 0.04 oz              | 0.04 oz              | 0.116 oz             |                      |
| Setability        |                      | 0.05% Rt             |                      | 0.05% Rt<br>0.01% E  |
| Mechanical Angle  |                      |                      |                      |                      |
| Terminal Strength | 2 lbs Min            | 2 lbs Min            | 2 lbs Min            | 2 lbs Min            |

## ENVIRONMENTAL

|                       |                     |                     |                     |                 |
|-----------------------|---------------------|---------------------|---------------------|-----------------|
| Temperature Operating | -55°C to +125°C     | -55°C to +125°C     | -55°C to +150°C     | -55°C to +125°C |
| Vibration             | 30g, 10 to 2000 Hz  | 30g, 10 to 2000 Hz  | 30g, 10 to 2000 Hz  | 20g             |
| Shock                 | 100g, 11 ms         | 100g, 6 ms          | 100g, 11 ms         | 100g            |
| Salt Spray            | 96 Hours            | 96 Hours            | 96 Hours            |                 |
| Fungus Resistance     | Non-Nutrient        | Non-Nutrient        | Non-Nutrient        | Non-Nutrient    |
| Load Life             | 1,000 Hours         | 1,000 Hours         | 1,000 Hours         | 1,000 Hours     |
| Thermal Shock         | -55°C to +125°C     | -55°C to +125°C     | -55°C to +125°C     | -55°C to +125°C |
| Sealing               | Commercial Solvents | Commercial Solvents | Commercial Solvents | +85°C, 1 Min    |

## TERMINAL STYLES

|             |   |          |            |       |
|-------------|---|----------|------------|-------|
| Side Adjust | P | P, X & Z | L—Leadwire | P & X |
| Top Adjust  |   | W & Y    | Y          | W     |

## OPTIONS

Solder Hooks

\* Standard Distributor Product



4051 Greystone Drive  
 Ontario, California 91761  
 (909) 923-3313 • FAX (909) 923-6765

349-781 TO 896

# 64, 70

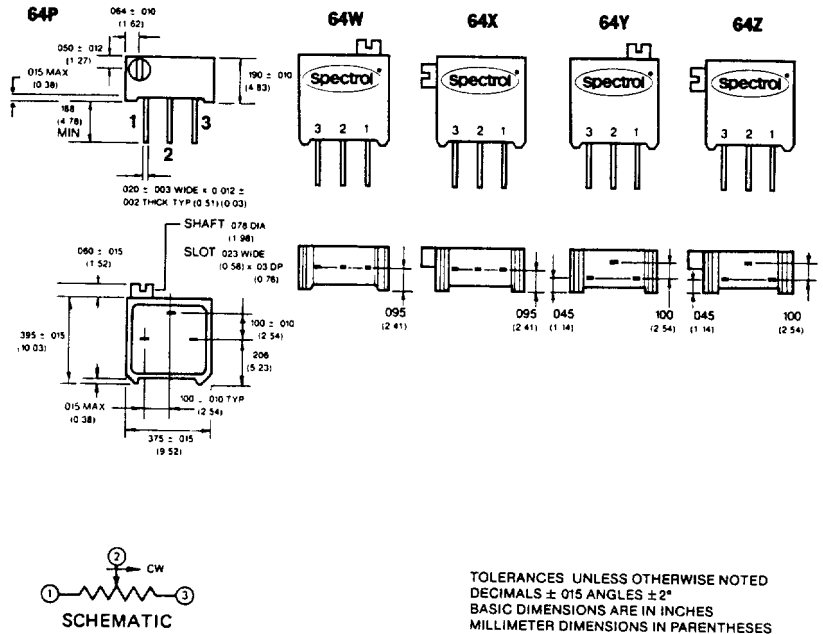
# TRIMMERS

## HOW TO ORDER THE MODEL 64

Models can be ordered from this specification sheet by stating

Model Number 64 P XXX  
 Terminal Style \_\_\_\_\_  
 Resistance EIA Code \_\_\_\_\_

| EIA Code | Standard Resistance | 64         |   |
|----------|---------------------|------------|---|
|          |                     | Resolution | % |
| 100      | 10Ω                 | ∞          |   |
| 200      | 20Ω                 | ∞          |   |
| 500      | 50Ω                 | ∞          |   |
| 101      | 100Ω                | ∞          |   |
| 201      | 200Ω                | ∞          |   |
| 501      | 500Ω                | ∞          |   |
| 102      | 1KΩ                 | ∞          |   |
| 202      | 2KΩ                 | ∞          |   |
| 502      | 5KΩ                 | ∞          |   |
| 103      | 10KΩ                | ∞          |   |
| 203      | 20KΩ                | ∞          |   |
| 253      | 25KΩ                | ∞          |   |
| 503      | 50KΩ                | ∞          |   |
| 104      | 100KΩ               | ∞          |   |
| 204      | 200KΩ               | ∞          |   |
| 254      | 250KΩ               | ∞          |   |
| 504      | 500KΩ               | ∞          |   |
| 105      | 1MΩ                 | ∞          |   |
| 205      | 2MΩ                 | ∞          |   |

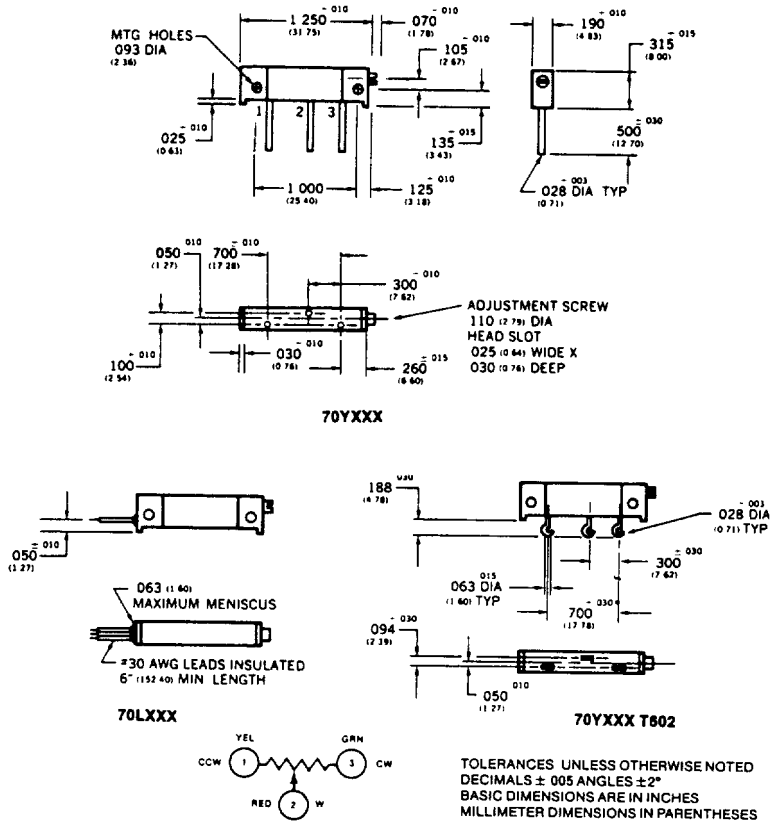


## HOW TO ORDER THE MODEL 70

Models can be ordered from this specification sheet by stating

Model Number 70 L XXX XXXX  
 Terminal Style \_\_\_\_\_  
 L - Leadwire  
 Y - Printed circuit pins  
 Resistance EIA Code \_\_\_\_\_  
 Specification Type (Optional) \_\_\_\_\_  
 T602 Solder hook pins (style Y)

| EIA Code | Standard Resistance | 70         |   |
|----------|---------------------|------------|---|
|          |                     | Resolution | % |
| 100      | 10Ω                 | ∞          |   |
| 200      | 20Ω                 | ∞          |   |
| 500      | 50Ω                 | ∞          |   |
| 101      | 100Ω                | ∞          |   |
| 201      | 200Ω                | ∞          |   |
| 501      | 500Ω                | ∞          |   |
| 102      | 1KΩ                 | ∞          |   |
| 202      | 2KΩ                 | ∞          |   |
| 502      | 5KΩ                 | ∞          |   |
| 103      | 10KΩ                | ∞          |   |
| 203      | 20KΩ                | ∞          |   |
| 253      | 25KΩ                | ∞          |   |
| 503      | 50KΩ                | ∞          |   |
| 104      | 100KΩ               | ∞          |   |
| 204      | 200KΩ               | ∞          |   |
| 254      | 250KΩ               | ∞          |   |
| 504      | 500KΩ               | ∞          |   |
| 105      | 1MΩ                 | ∞          |   |
| 205      | 2MΩ                 | ∞          |   |



4051 Greystone Drive  
 Ontario, California 91761  
 (909) 923-3313 • FAX (909) 923-6765