

4.00mm (0.157") PITCH CONNECTOR

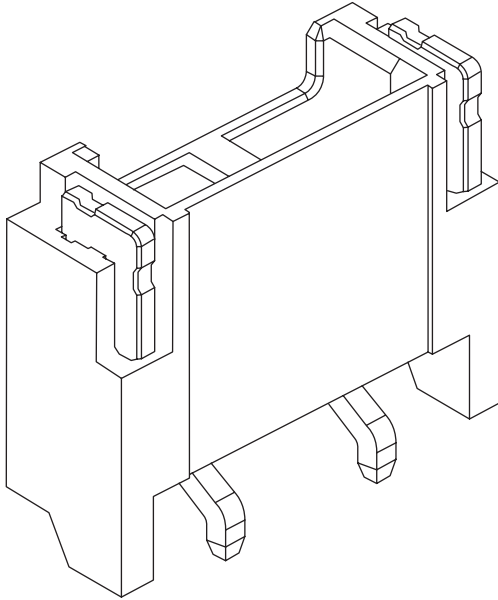


**Wire-to-Board
Wafer**

40006WR Series

SMT

Right Angle

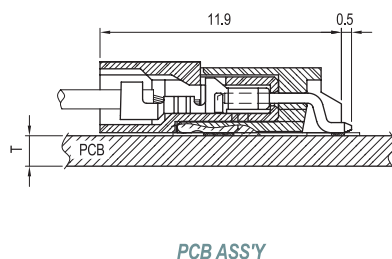
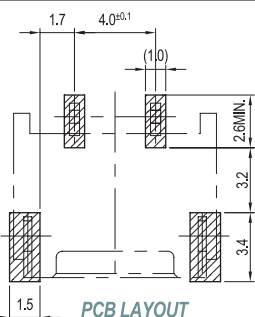
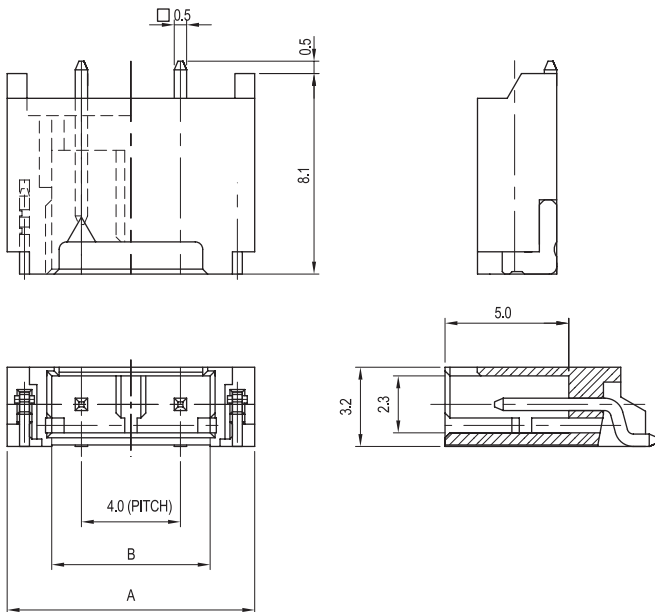


Material

I/NO	DESCRIPTION	TITLE	MATERIAL
1	WAFER	40006WR	PPS, UL94 V Grade
2	PIN		Brass & Tin-Plated
3	HOOK	20015LR	Brass & Tin-Plated

Available Pin

PARTS NO.	DIM. A	DIM. B
40006WR-02A00	10.0	6.4



Specification

ITEM	SPEC
Voltage Rating	AC/DC 600V
Current Rating	AC/DC 1A
Operating Temperature	-25°C~+85°C
Contact Resistance	30mΩ MAX
Withstanding Voltage	AC1800V/1min
Insulation Resistance	1000MΩ MIN
Applicable Wire	-
Applicable P.C.B	0.8~1.6mm
Applicable FPC/FFC	-
Solder Height	0.15mm
Crimp Tensile Strength	-
UL FILE NO	-