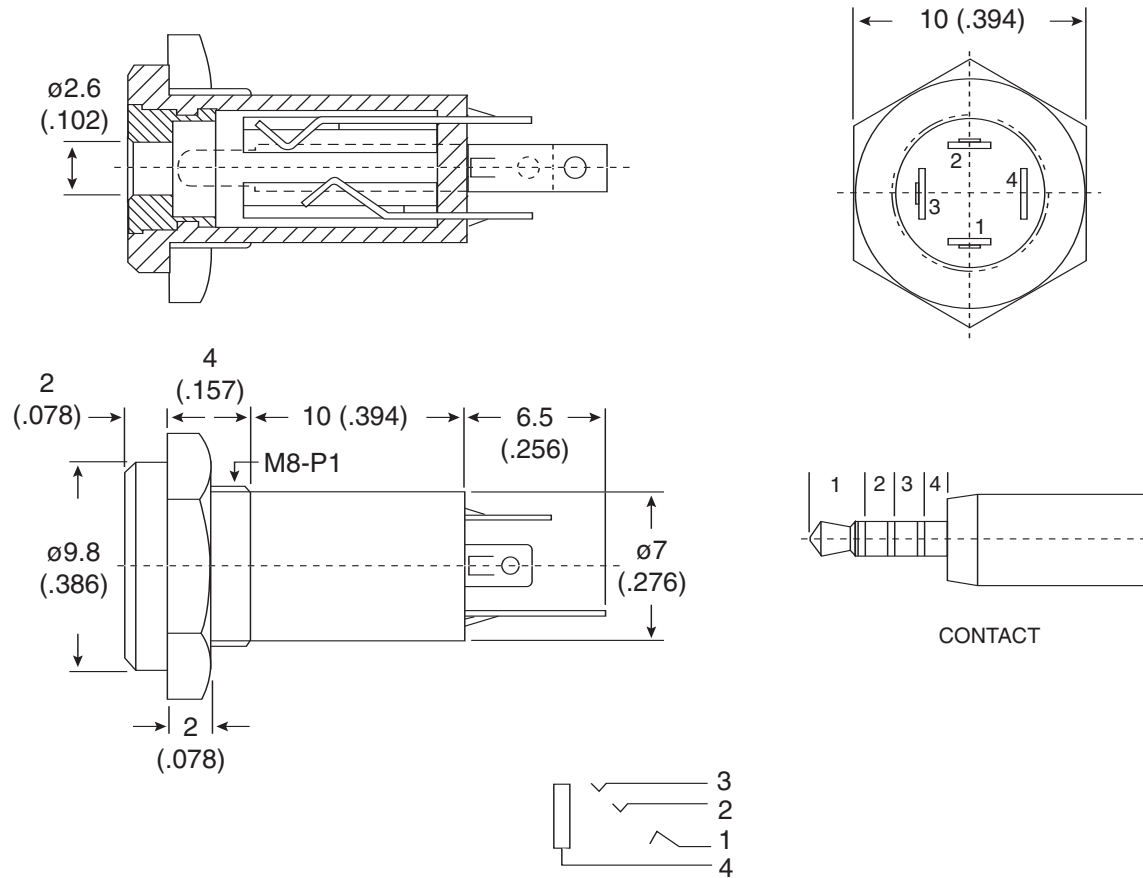


# 4 Conductor Sub-Miniature Jack

161-5425

**KOBI**CONN

4 Conductor Sub-Miniature Jack



Dimensions: mm (In.)

SPECIFICATIONS	
<b>Insulation Resistance:</b>	100MΩ min. @ 500VDC
<b>Contact Resistance:</b>	50mΩ max.
<b>Dielectric Strength:</b>	500VAC for 1 Minute
<b>Contacts:</b>	Nickel plated brass
<b>Body:</b>	PA Polyamid Resin (Nylon)

MATERIALS	
<b>Contact 1:</b>	FAB-EH t=0.25, Ni Finish
<b>Contact 2:</b>	FAB-EH t=0.3, Au Finish
<b>Contact 3:</b>	FAB-EH t=0.3, Ni Finish
<b>Contact 4:</b>	BSR t=0.3, Ni Finish

Date Last Revised: 1-19-05

Available from Mouser Electronics  
1-800-346-6873  
www.mouser.com

KC-300095

161-5425