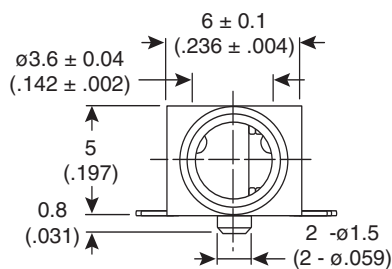
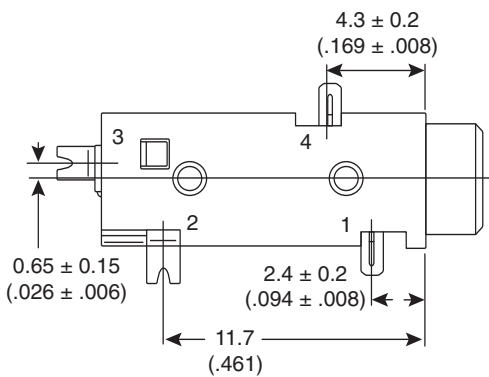
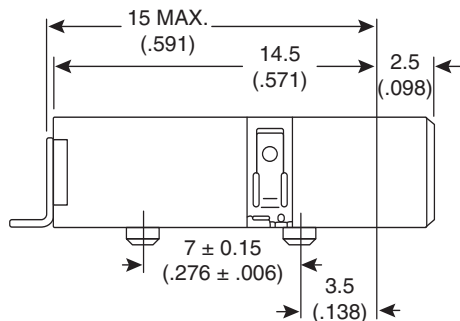
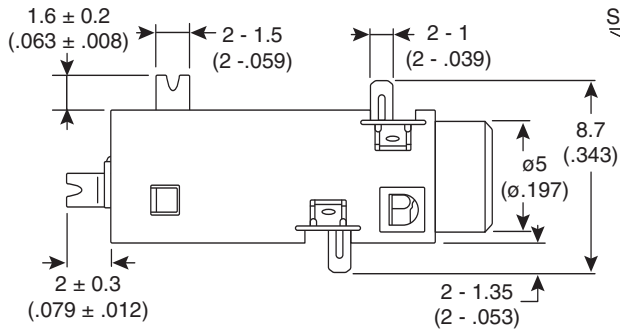


# 3.5mm Phone Jacks

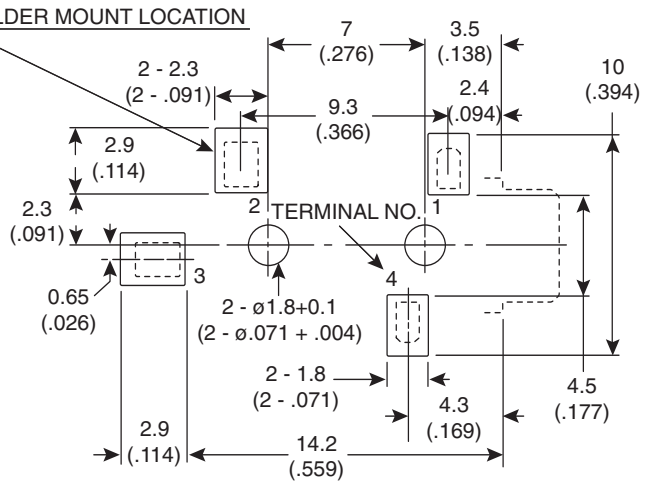
161-4033, 161-4034, 161-4035



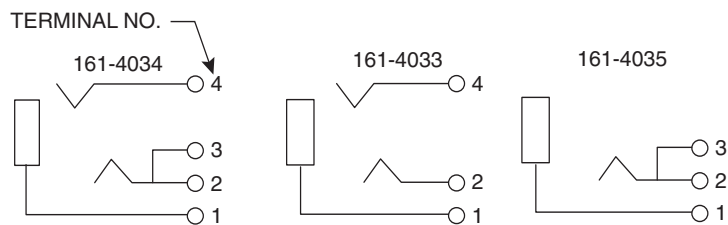
3.5mm Phone Jacks



## SOLDER MOUNT LOCATION



## PCB HOLE & SURFACE MOUNT LAYOUT



## CIRCUIT DIAGRAMS

Dimensions: mm (In.)

## SPECIFICATIONS

<b>Rating:</b>	12VDC 1A
<b>Insulation resistance:</b>	not less than 100mΩ
<b>Contact resistance:</b>	not more than 30mΩ
<b>Withstand voltage:</b>	500VAC (50~60Hz) for one min
<b>Temperature range:</b>	70°C ~ -20°C
<b>Life test:</b>	3,000 times min.
<b>Insertion force:</b>	0.4 ~ 3.0 kg
<b>Extraction force:</b>	0.4 ~ 3.0 kg
<b>Case:</b>	PA66/13% GF/black
<b>Resoldering parameters:</b>	350°C ± 10°C @ 3 sec. ± 1 sec.

Date Last Revised: 4-15-05

Available from Mouser Electronics  
1-800-346-6873  
www.mouser.com

KC-300512

161-4033, 161-4034, 161-4035