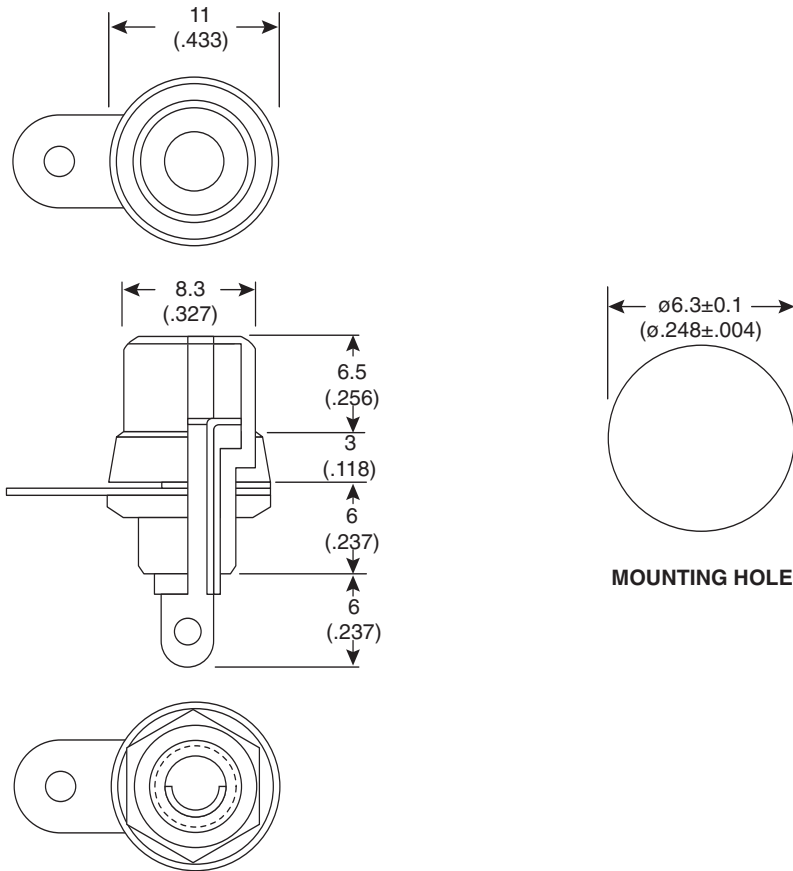


RCA Jacks

161-0251, 161-0252, 161-0253, 161-0254



RCA Jacks



MOUNTING HOLE

Dimensions: mm (In)

| MATERIALS | |
|---------------------------|---------------------|
| Contact: | Nickel Plated Brass |
| Body: | Nickel Plated Brass |
| Insulator A, Insulator B: | ABS |

| MOUSER STOCK NO. | Color |
|------------------|--------|
| 161-0251 | Red |
| 161-0252 | Black |
| 161-0253 | White |
| 161-0254 | Yellow |

Date Last Revised: 4-19-05

Available from Mouser Electronics
1-800-346-6873
www.mouser.com

KC-300559

161-0251, 161-0252, 161-0253, 161-0254