

SMT20C Series

5 Vin and 12 Vin
single output

Total Power: 66W
Input Voltage: 4.5-5.5 Vdc
of Outputs: Single



Special Features

- 20 A current rating
- Input voltage range:
4.5 Vdc - 5.5 Vdc or
10.2 Vdc - 13.8 Vdc
- Output voltage range:
0.9 Vdc - 3.3/5.0 Vdc
- Industry leading value
 - Cost optimized design
- Excellent transient response
- Output voltage adjustability
 - Pathway for future upgrades
 - Supports silicon voltage migration
 - Resulting in reduced design-in and qualification time
- Designed in reliability:
MTBF of >7 million hours
per Telcordia SR-332
- Available RoHS compliant
- 2 year warranty

Safety

UL/cUL CAN/CSA 22.2
No. 60950
UL 60950 File No. E139421

TÜV Product Service
(EN60950:2000)
Certificate No.
B 04 08 19870 228
CB report and certificate to
US/6415C/UL

The SMT20C Series is a new high density open frame non-isolated converter for space-sensitive applications. Each model has a wide input range (4.5 Vdc to 5.5 Vdc or 10.2 Vdc to 13.8 Vdc) and offers a wide 0.9 Vdc to 3.3/5 V output voltage range with a 20 A load. An external resistor adjusts the output voltage from its pre-set value of 0.9 V to any value up to the maximum allowed value for that model. Typical efficiencies are 87% for the 5 V input version and 91% for the 12 V input version at full load conditions. The SMT20C series offers remote ON/OFF and overcurrent protection as standard. With full international safety approval including EN60950 and UL/cUL60950, the SMT20C reduces compliance costs and time to market



Specifications

All specifications are typical at nominal input $V_{in}=12V$, full load at 25°C unless otherwise stated.

OUTPUT SPECIFICATIONS		
Voltage adjustability (See Note 5)	5 V input models 12 V input models	0.9-3.3 Vdc 0.9-5.0 Vdc
Output setpoint accuracy	With 1.0% trim resistors	±2.5%
Line regulation	Low line to high line	±0.2% max.
Load regulation		±1.3% max.
Min/max load		0 A/20 A
Overshoot (at turn on)	5 V input models 12 V input models	3.0% max. 1.0% max.
Ripple and noise 5 Hz to 20 MHz	(See Note 1)	See Table on page 2
Transient response (See Note 2)		100 mV max. deviation 200 μ s recovery to within regulation band
INPUT SPECIFICATIONS		
Input voltage range	5 V input model 12 V input model	4.5-5.5 Vdc 10.2-13.8 Vdc
Input current	Minimum load Remote OFF	65 mA 20 mA
Input current (max.) (See Note 3)	5 V input model 12 V input model	15 A @ I_o max. 11 A @ I_o max.
Input reflected ripple	(See Note 4)	200 mA (pk-pk)
Remote ON/OFF Logic compatibility		Positive Logic >2.4 Vdc <0.8 Vdc
Start-up time (See Note 8)	Power up Remote ON/OFF	<20 ms <20 ms

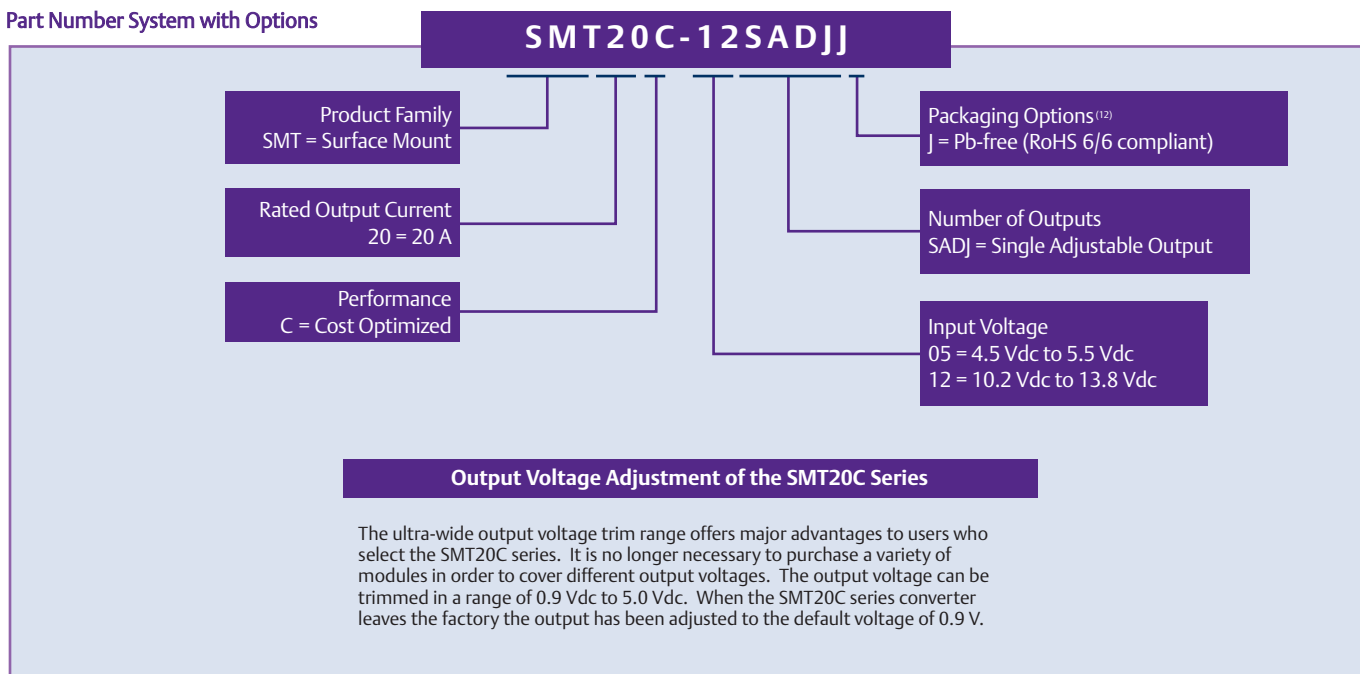
INPUT SPECIFICATIONS (CONTD.)		
Turn ON threshold	5 V _{in} 12 V _{in}	4.5 Vdc typ. 9.3 Vdc typ.
Turn OFF threshold	5 V _{in} 12 V _{in}	4.3 Vdc typ. 7.8 Vdc typ.
GENERAL SPECIFICATIONS		
Efficiency		See Table on page 2
Switching frequency	Fixed	275 kHz typ.
Approvals and standards	(See Note 7)	TÜV Product Services IEC60950, UL/cUL60950
Material flammability		UL94V-0
Weight		14.2 g (0.5 oz)
Coplanarity		150 μ m
MTBF	Telcordia SR-332	7,963,574 hours
ENVIRONMENTAL SPECIFICATIONS		
Thermal performance (See Note 9)	Operating ambient, temperature Non-operating	0 °C to +80 °C -40 °C to +125 °C
PROTECTION		
Short-circuit protection		Hiccup, non-latching
RECOMMENDED SYSTEM CAPACITANCE		
Input capacitance	(See Note 10)	270 μ F/20 mW ESR max.
Output capacitance	(See Note 10)	680 μ F/10 mW ESR max.

Specifications

All specifications are typical at nominal input $V_{in} = 12\text{ V}$, full load at 25°C unless otherwise stated.

OUTPUT POWER (MAX.)	INPUT VOLTAGE	OVP	OUTPUT VOLTAGE ⁽¹¹⁾	OUTPUT CURRENT (MIN.)	OUTPUT CURRENT (MAX.)	MAXIMUM LOAD (TYP.)	REGULATION		MODEL NUMBER ^(12,13)
							LINE	LOAD	
66 W	4.5-5.5 Vdc	N/A	0.9-3.3 V	0 A	20 A	87%	$\pm 0.2\%$	$\pm 1.3\%$	SMT20C-05SADJJ
100 W	10.2-13.8 Vdc	N/A	0.9-5.0 V	0 A	20 A	91%	$\pm 0.2\%$	$\pm 1.3\%$	SMT20C-12SADJJ

Part Number System with Options

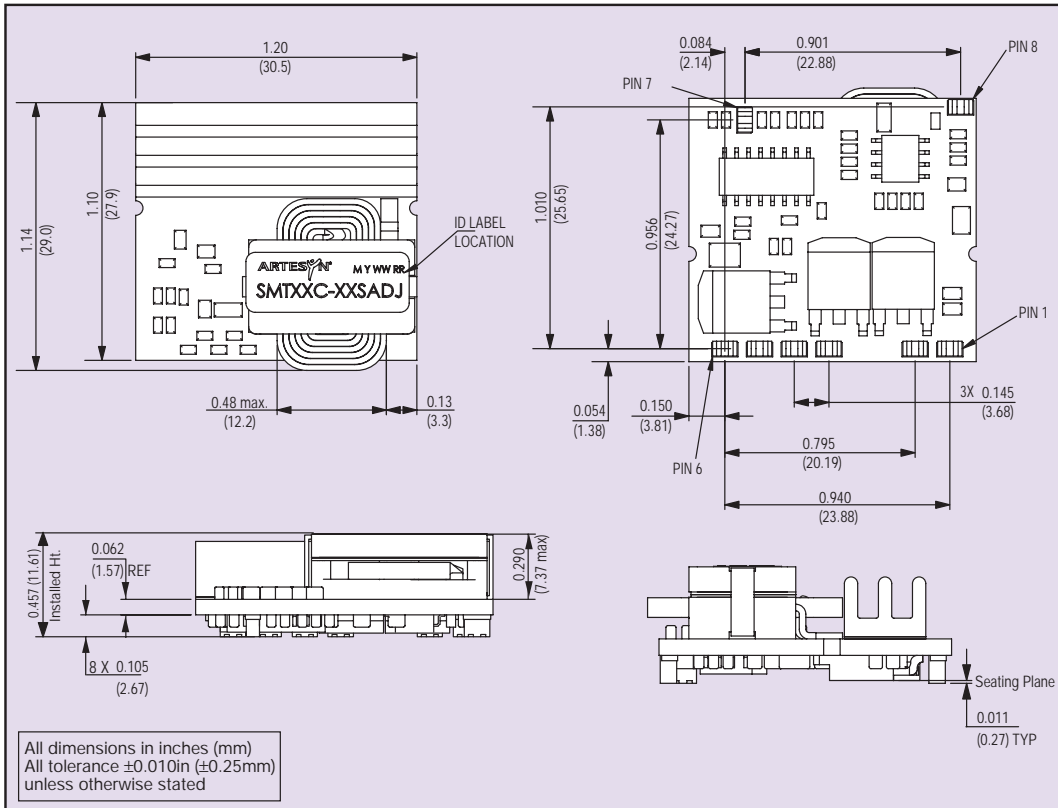


Notes

- Measured as per recommended set-up. $2 \times C_{in} = 270\ \mu\text{F}$ (20 mW ESR max, $C_{out} = 680\ \mu\text{F}$ (10 mW ESR max).
- $di/dt = 10\ \text{A}/\mu\text{s}$, $V_{in} = \text{Nom}$, $T_c = 25^{\circ}\text{C}$, load change = 0.50 I_o max. to 0.75 I_o max. and 0.75 I_o max. to 0.50 I_o max. At 12 V, 0.9 V_{out}, the max voltage deviation is 200 mV.
- External input fusing is recommended.
- Measured with external filter. See Application Note 169 for details.
- Uses external resistor from trim pin to output ground. Min value = 485 W for 5 V model, 280 W for 12 V model. See Application Note 169 for details.
- Signal line assumed <3 m in length.
- This product is only for inclusion by professional installers within other equipment and must not be operated as a stand alone product.
- Power-up is the time from application of dc input to Power Good enabled. Remote ON/OFF is from ON/OFF asserted high to power good enabled.
- See Application Note 169 for operation above 50°C .
- See Application Note 169 for ripple current requirements.
- These models have a wide trim output. 5 V_{in} has an output of 0.9Vdc to 3.3 Vdc and 12 V_{in} has an output of 0.9 Vdc to 5 Vdc. An external resistor adjusts the output voltage.
- TSE RoHS 5/6 (non Pb-free) compliant versions may be available on special request, please contact your local sales representative for details.
- NOTICE: Some models do not support all options. Please contact your local Artesyn representative or use the on-line model number search tool at <http://www.artesyn.com/powergroup/products.htm> to find a suitable alternative.

Ripple and Noise Specification

Model	Output Voltage	Pk - Pk	RMS
5 V input models	0.9 Vdc to 2.5 Vdc	30 mV	15 mV
	3.3 Vdc	40 mV	15 mV
12 V input models	0.9 Vdc to 2.5 Vdc	50 mV	25 mV
	3.3 Vdc to 5 Vdc	50 mV	25 mV



PIN CONNECTIONS	
PIN NUMBER	FUNCTION
1	Vout
2	Vout
3	Power Good
4	GND
5	GND
6	Vin
7	Trim
8	Remote ON/OFF

Americas

5810 Van Allen Way
Carlsbad, CA 92008
USA
Telephone: +1 760 930 4600
Facsimile: +1 760 930 0698

Europe (UK)

Waterfront Business Park
Merry Hill, Dudley
West Midlands, DY5 1LX
United Kingdom
Telephone: +44 (0) 1384 842 211
Facsimile: +44 (0) 1384 843 355

Asia (HK)

16th - 17th Floors, Lu Plaza
2 Wing Yip Street, Kwun Tong
Kowloon, Hong Kong
Telephone: +852 2176 3333
Facsimile: +852 2176 3888

For global contact, visit:

www.powerconversion.com
technicalsupport@powerconversion.com

While every precaution has been taken to ensure accuracy and completeness in this literature, Emerson Network Power assumes no responsibility, and disclaims all liability for damages resulting from use of this information or for any errors or omissions.

Emerson Network Power.

The global leader in enabling business-critical continuity.

- AC Power
- Connectivity
- DC Power
- **Embedded Power**
- Inbound Power
- Integrated Cabinet Solutions
- Outside Plant
- Precision Cooling
- Site Monitoring and Services

EmersonNetworkPower.com

Emerson Network Power and the Emerson Network Power logo are trademarks and service marks of Emerson Electric Co. ©2007 Emerson Electric Co.