



RF Power Field Effect Transistor

N-Channel Enhancement-Mode Lateral MOSFET

Designed for broadband commercial and industrial applications with frequencies up to 1000 MHz. The high gain and broadband performance of this device make it ideal for large-signal, common-source amplifier applications in 26 volt base station equipment.

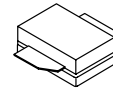
- Typical Two-Tone Performance at 945 MHz, 26 Volts
 Output Power — 60 Watts PEP
 Power Gain — 17 dB
 Efficiency — 40%
 IMD — -31 dBc
- Capable of Handling 10:1 VSWR, @ 26 Vdc, 945 MHz, 60 Watts CW Output Power

Features

- Integrated ESD Protection
- Designed for Maximum Gain and Insertion Phase Flatness
- Excellent Thermal Stability
- Characterized with Series Equivalent Large-Signal Impedance Parameters
- Low Gold Plating Thickness on Leads. L Suffix Indicates 40μ" Nominal.
- RoHS Compliant
- In Tape and Reel. R1 Suffix = 500 Units per 32 mm, 13 inch Reel.

MRF9060LSR1

**945 MHz, 60 W, 26 V
 LATERAL N-CHANNEL
 BROADBAND
 RF POWER MOSFET**



**CASE 360C-05, STYLE 1
 NI-360S**

LIFETIME BUY

LAST SHIP 14 MAY 09
 LAST ORDER 3 OCT 08

Table 1. Maximum Ratings

Rating	Symbol	Value	Unit
Drain-Source Voltage	V _{DSS}	- 0.5, +65	Vdc
Gate-Source Voltage	V _{GS}	- 0.5, +15	Vdc
Total Device Dissipation @ T _C = 25°C Derate above 25°C	P _D	219 1.25	W W/°C
Storage Temperature Range	T _{stg}	- 65 to +150	°C
Case Operating Temperature	T _C	150	°C
Operating Junction Temperature	T _J	200	°C

Table 2. Thermal Characteristics

Characteristic	Symbol	Value (1)	Unit
Thermal Resistance, Junction to Case	R _{θJC}	0.8	°C/W

Table 3. ESD Protection Characteristics

Test Conditions	Class
Human Body Model	1 (Minimum)
Machine Model	M1 (Minimum)

1. MTTF calculator available at <http://www.freescale.com/rf>. Select Software & Tools/Development Tools/Calculators to access MTTF calculators by product.

Table 4. Electrical Characteristics ($T_C = 25^\circ\text{C}$ unless otherwise noted)

Characteristic	Symbol	Min	Typ	Max	Unit
Off Characteristics					
Zero Gate Voltage Drain Leakage Current ($V_{DS} = 65\text{ Vdc}$, $V_{GS} = 0\text{ Vdc}$)	I_{DSS}	—	—	10	μAdc
Zero Gate Voltage Drain Leakage Current ($V_{DS} = 26\text{ Vdc}$, $V_{GS} = 0\text{ Vdc}$)	I_{DSS}	—	—	1	μAdc
Gate-Source Leakage Current ($V_{GS} = 5\text{ Vdc}$, $V_{DS} = 0\text{ Vdc}$)	I_{GSS}	—	—	1	μAdc
On Characteristics					
Gate Threshold Voltage ($V_{DS} = 10\text{ Vdc}$, $I_D = 200\ \mu\text{Adc}$)	$V_{GS(th)}$	2	2.9	4	Vdc
Gate Quiescent Voltage ($V_{DS} = 26\text{ Vdc}$, $I_D = 450\text{ mAdc}$)	$V_{GS(Q)}$	—	3.7	—	Vdc
Drain-Source On-Voltage ($V_{GS} = 10\text{ Vdc}$, $I_D = 1.3\text{ Adc}$)	$V_{DS(on)}$	—	0.17	0.4	Vdc
Forward Transconductance ($V_{DS} = 10\text{ Vdc}$, $I_D = 4\text{ Adc}$)	g_{fs}	—	5.3	—	S
Dynamic Characteristics					
Input Capacitance ($V_{DS} = 26\text{ Vdc} \pm 30\text{ mV(rms)ac}$ @ 1 MHz, $V_{GS} = 0\text{ Vdc}$)	C_{iss}	—	98	—	pF
Output Capacitance ($V_{DS} = 26\text{ Vdc} \pm 30\text{ mV(rms)ac}$ @ 1 MHz, $V_{GS} = 0\text{ Vdc}$)	C_{oss}	—	50	—	pF
Reverse Transfer Capacitance ($V_{DS} = 26\text{ Vdc} \pm 30\text{ mV(rms)ac}$ @ 1 MHz, $V_{GS} = 0\text{ Vdc}$)	C_{rss}	—	2	—	pF

(continued)

LIFETIME BUY

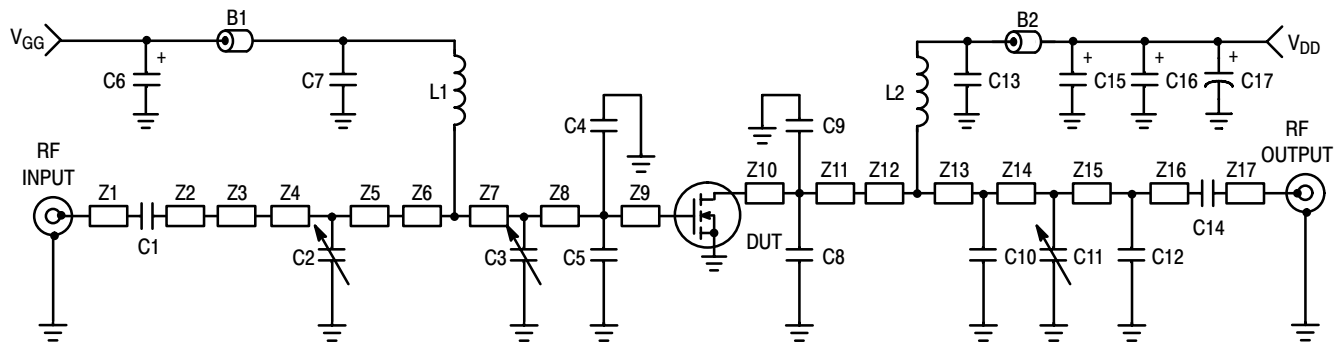
LAST SHIP 14 MAY 09
LAST ORDER 3 OCT 08

Table 4. Electrical Characteristics ($T_C = 25^\circ\text{C}$ unless otherwise noted) (continued)

Characteristic	Symbol	Min	Typ	Max	Unit
Functional Tests (In Freescale Test Fixture, 50 ohm system)					
Two-Tone Common-Source Amplifier Power Gain ($V_{DD} = 26\text{ Vdc}$, $P_{out} = 60\text{ W PEP}$, $I_{DQ} = 450\text{ mA}$, $f_1 = 945.0\text{ MHz}$, $f_2 = 945.1\text{ MHz}$)	G_{ps}	16	17	—	dB
Two-Tone Drain Efficiency ($V_{DD} = 26\text{ Vdc}$, $P_{out} = 60\text{ W PEP}$, $I_{DQ} = 450\text{ mA}$, $f_1 = 945.0\text{ MHz}$, $f_2 = 945.1\text{ MHz}$)	η	36	40	—	%
3rd Order Intermodulation Distortion ($V_{DD} = 26\text{ Vdc}$, $P_{out} = 60\text{ W PEP}$, $I_{DQ} = 450\text{ mA}$, $f_1 = 945.0\text{ MHz}$, $f_2 = 945.1\text{ MHz}$)	IMD	—	-31	-28	dBc
Input Return Loss ($V_{DD} = 26\text{ Vdc}$, $P_{out} = 60\text{ W PEP}$, $I_{DQ} = 450\text{ mA}$, $f_1 = 945.0\text{ MHz}$, $f_2 = 945.1\text{ MHz}$)	IRL	—	-16	-9	dB
Two-Tone Common-Source Amplifier Power Gain ($V_{DD} = 26\text{ Vdc}$, $P_{out} = 60\text{ W PEP}$, $I_{DQ} = 450\text{ mA}$, $f_1 = 930.0\text{ MHz}$, $f_2 = 930.1\text{ MHz}$ and $f_1 = 960.0\text{ MHz}$, $f_2 = 960.1\text{ MHz}$)	G_{ps}	—	17	—	dB
Two-Tone Drain Efficiency ($V_{DD} = 26\text{ Vdc}$, $P_{out} = 60\text{ W PEP}$, $I_{DQ} = 450\text{ mA}$, $f_1 = 930.0\text{ MHz}$, $f_2 = 930.1\text{ MHz}$ and $f_1 = 960.0\text{ MHz}$, $f_2 = 960.1\text{ MHz}$)	η	—	39	—	%
3rd Order Intermodulation Distortion ($V_{DD} = 26\text{ Vdc}$, $P_{out} = 60\text{ W PEP}$, $I_{DQ} = 450\text{ mA}$, $f_1 = 930.0\text{ MHz}$, $f_2 = 930.1\text{ MHz}$ and $f_1 = 960.0\text{ MHz}$, $f_2 = 960.1\text{ MHz}$)	IMD	—	-31	—	dBc
Input Return Loss ($V_{DD} = 26\text{ Vdc}$, $P_{out} = 60\text{ W PEP}$, $I_{DQ} = 450\text{ mA}$, $f_1 = 930.0\text{ MHz}$, $f_2 = 930.1\text{ MHz}$ and $f_1 = 960.0\text{ MHz}$, $f_2 = 960.1\text{ MHz}$)	IRL	—	-16	—	dB
Power Output, 1 dB Compression Point ($V_{DD} = 26\text{ Vdc}$, $P_{out} = 60\text{ W CW}$, $I_{DQ} = 450\text{ mA}$, $f_1 = 945.0\text{ MHz}$)	P_{1dB}	—	70	—	W
Common-Source Amplifier Power Gain ($V_{DD} = 26\text{ Vdc}$, $P_{out} = 60\text{ W CW}$, $I_{DQ} = 450\text{ mA}$, $f_1 = 945.0\text{ MHz}$)	G_{ps}	—	17	—	dB
Drain Efficiency ($V_{DD} = 26\text{ Vdc}$, $P_{out} = 60\text{ W CW}$, $I_{DQ} = 450\text{ mA}$, $f_1 = 945.0\text{ MHz}$)	η	—	51	—	%

LIFETIME BUY

LAST ORDER 3 OCT 08 LAST SHIP 14 MAY 09

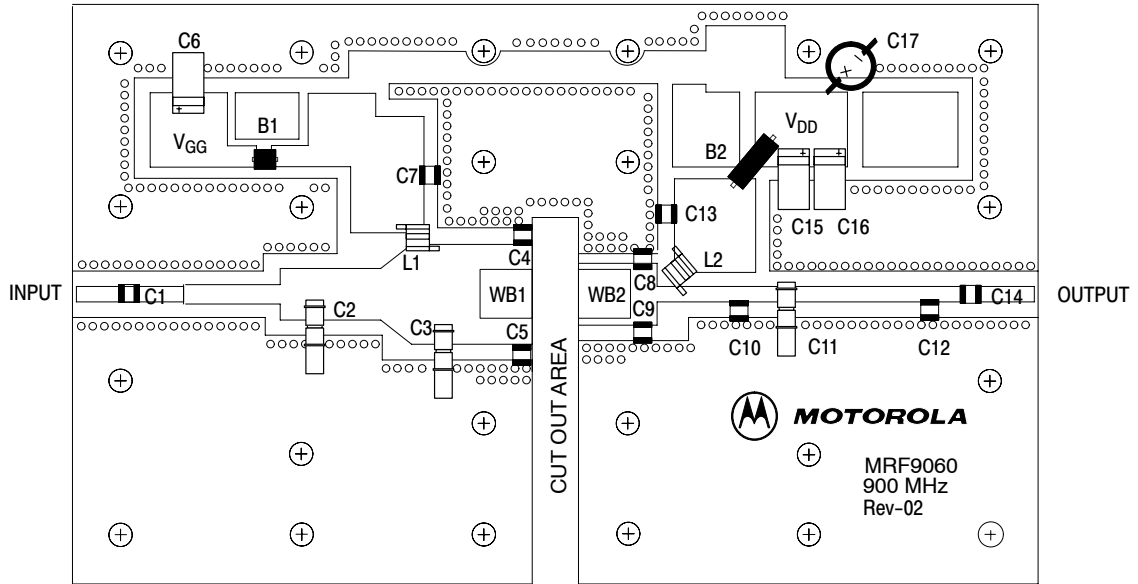


Z1	0.240" x 0.060" Microstrip	Z10	0.360" x 0.270" Microstrip
Z2	0.240" x 0.060" Microstrip	Z11	0.060" x 0.270" Microstrip
Z3	0.500" x 0.100" Microstrip	Z12	0.110" x 0.060" Microstrip
Z4	0.180" x 0.270" Microstrip	Z13	0.330" x 0.060" Microstrip
Z5	0.350" x 0.270" Microstrip	Z14	0.230" x 0.060" Microstrip
Z6	0.270" x 0.520 x 0.140" Taper	Z15	0.740" x 0.060" Microstrip
Z7	0.170" x 0.520" Microstrip	Z16	0.130" x 0.060" Microstrip
Z8	0.410" x 0.520" Microstrip	Z17	0.340" x 0.060" Microstrip
Z9	0.060" x 0.520" Microstrip	PCB	Taconic RF -35 -0300, 30 mil, $\epsilon_r = 3.55$

Figure 1. 945 MHz Broadband Test Circuit Schematic

Table 5. 945 MHz Broadband Test Circuit Component Designations and Values

Part	Description	Part Number	Manufacturer
B1	Short Ferrite Bead	2743019447	Fair - Rite
B2	Long Ferrite Bead	2743029446	Fair - Rite
C1, C7, C13, C14	47 pF Chip Capacitors	ATC100B470JT500XT	ATC
C2, C3, C11	0.8 - 8.0 Gigatrim Variable Capacitors	27291SL	Johanson
C4, C5, C8, C9	10 pF Chip Capacitors	ATC100B100JT500XT	ATC
C6, C15, C16	10 μ F, 35 V Tantalum Chip Capacitor	T491D106K035AT	Kemet
C10	3.0 pF Chip Capacitor	ATC100B3R0JT500XT	ATC
C12	0.5 pF Chip Capacitor (MRF9060) 0.7 pF Chip Capacitor (MRF9060S)	ATC100B0R5BT500XT ATC100B0R7BT500XT	ATC ATC
C17	220 μ F Electrolytic Chip Capacitor	MCAX63V227M13X22	Multicomp
L1, L2	12.5 nH Inductors	A04T - 5	Coilcraft



Freescale has begun the transition of marking Printed Circuit Boards (PCBs) with the Freescale Semiconductor signature/logo. PCBs may have either Motorola or Freescale markings during the transition period. These changes will have no impact on form, fit or function of the current product.

Figure 2. 930 - 960 MHz Broadband Test Circuit Component Layout

TYPICAL CHARACTERISTICS

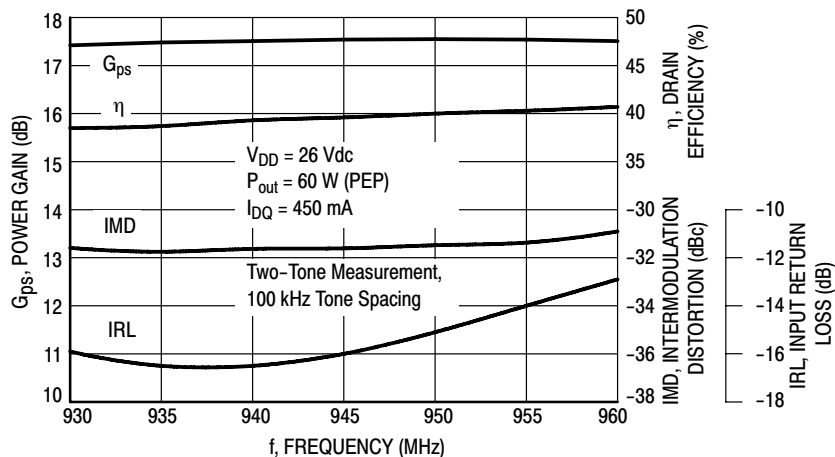


Figure 3. Class AB Broadband Circuit Performance

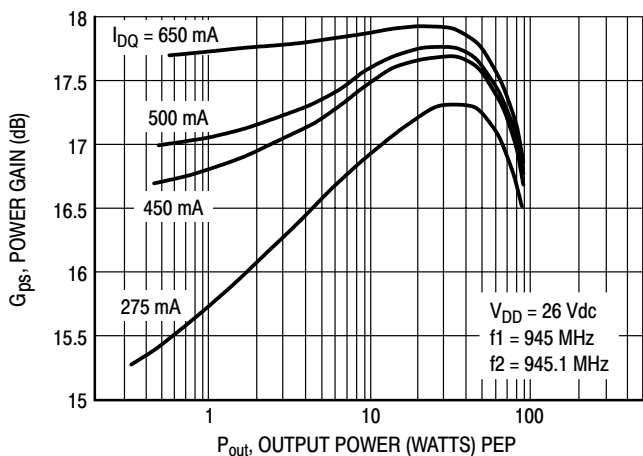


Figure 4. Power Gain versus Output Power

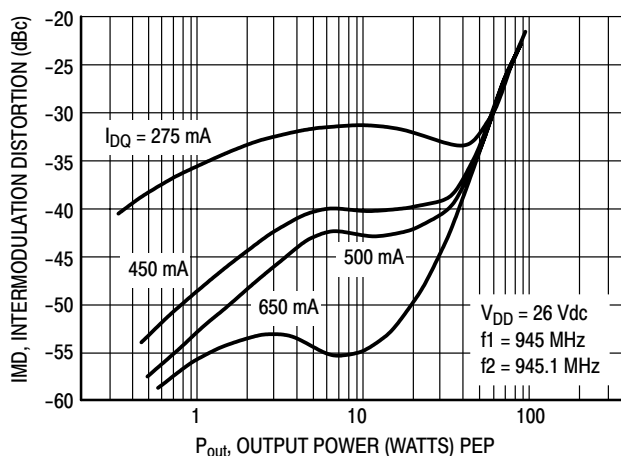


Figure 5. Intermodulation Distortion versus Output Power

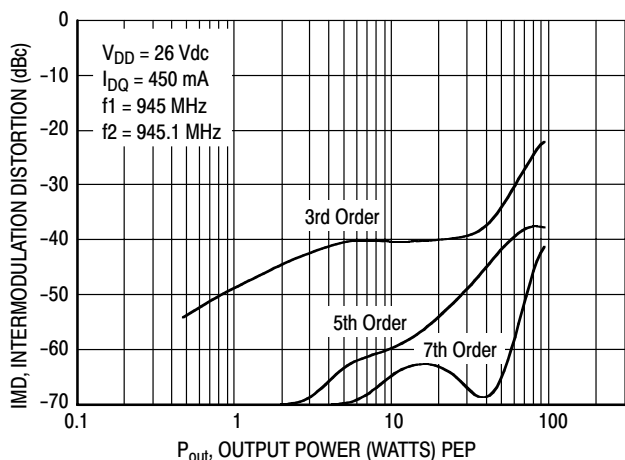


Figure 6. Intermodulation Distortion Products versus Output Power

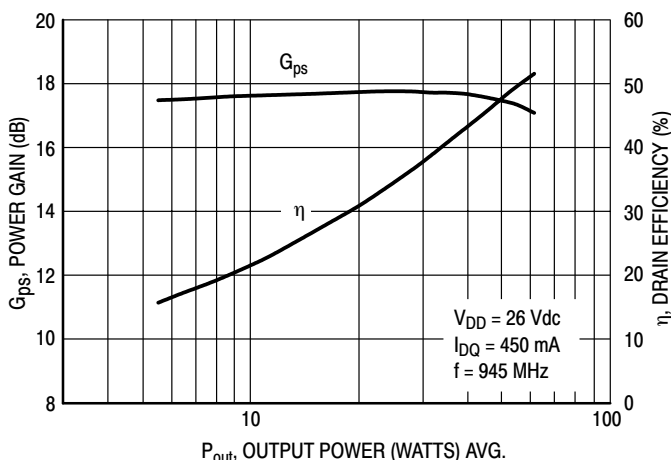


Figure 7. Power Gain and Efficiency versus Output Power

LIFETIME BUY

LAST ORDER 3 OCT 08 LAST SHIP 14 MAY 09

TYPICAL CHARACTERISTICS

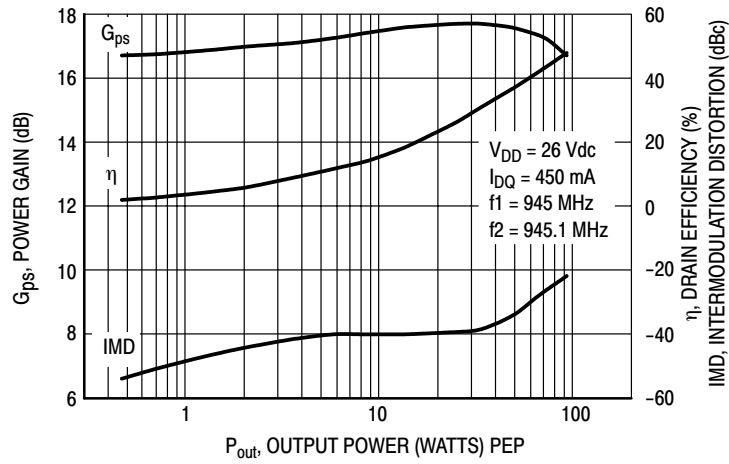
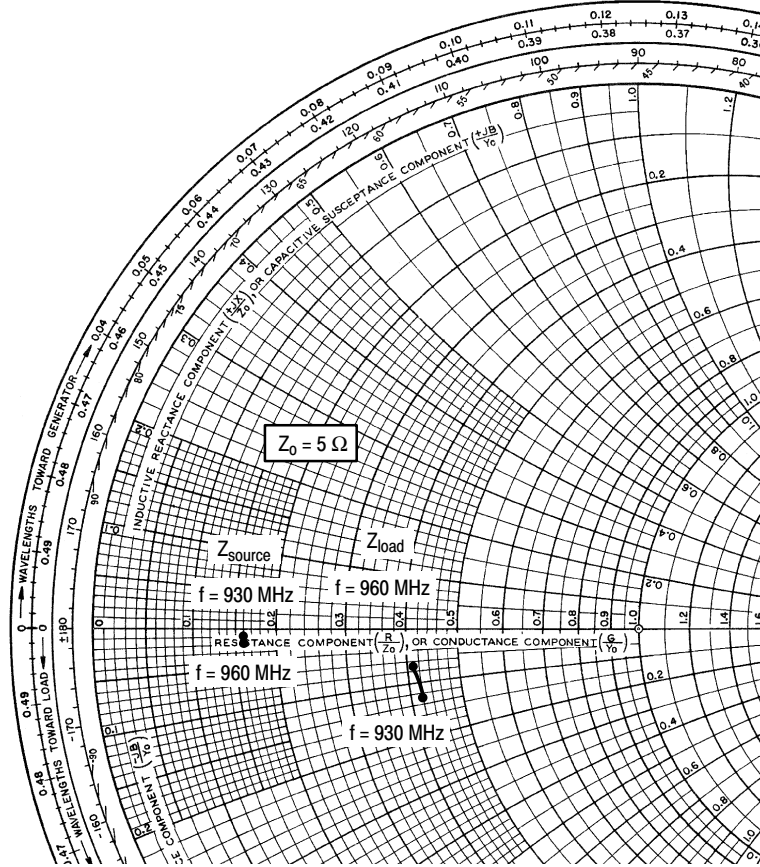


Figure 8. Power Gain, Efficiency, and IMD versus Output Power



$V_{DD} = 26\text{ V}$, $I_{DQ} = 450\text{ mA}$, $P_{out} = 60\text{ W PEP}$

f MHz	Z_{source} Ω	Z_{load} Ω
930	$0.80 - j0.10$	$2.08 - j0.65$
945	$0.80 - j0.05$	$2.07 - j0.38$
960	$0.81 - j0.10$	$2.04 - j0.37$

Z_{source} = Test circuit impedance as measured from gate to ground.

Z_{load} = Test circuit impedance as measured from drain to ground.

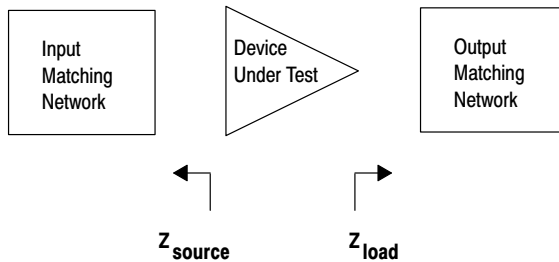
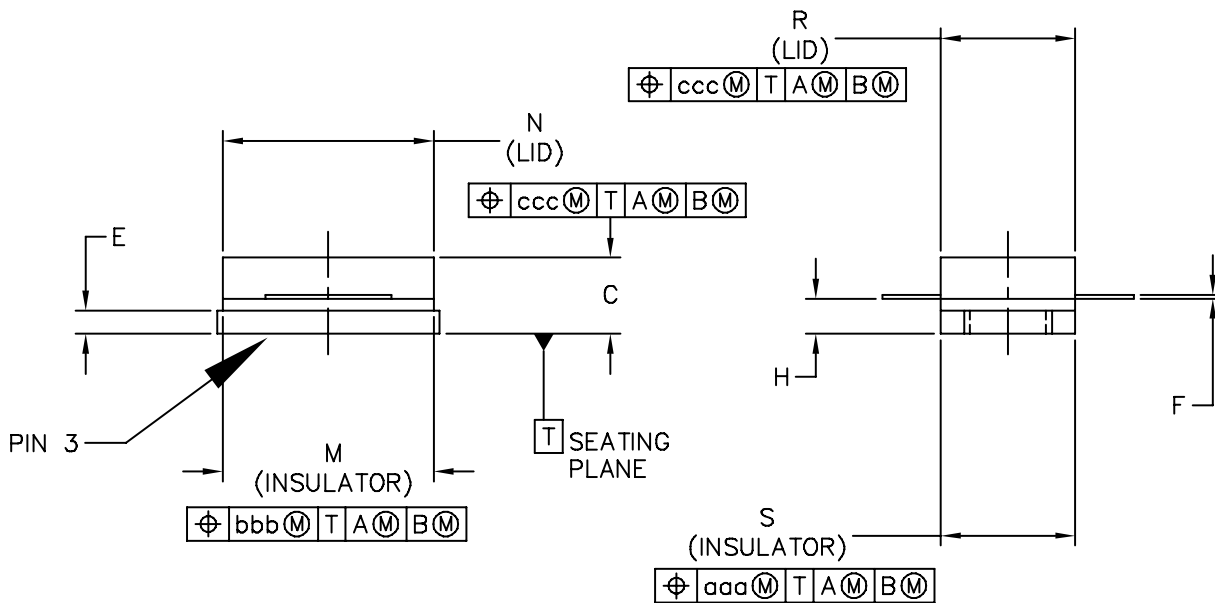
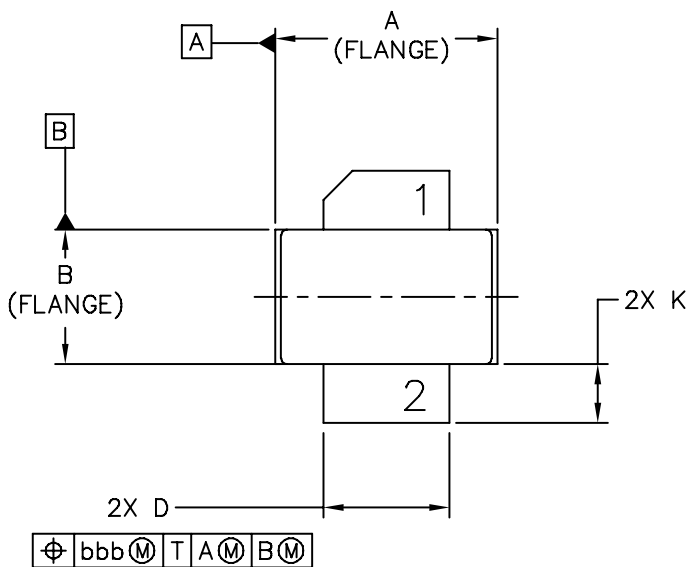


Figure 9. Series Equivalent Source and Load Impedance

PACKAGE DIMENSIONS



<p>© FREESCALE SEMICONDUCTOR, INC. ALL RIGHTS RESERVED.</p>	<p>MECHANICAL OUTLINE</p>	<p>PRINT VERSION NOT TO SCALE</p>	
<p>TITLE: NI-360S SURFACE MOUNT</p>	<p>DOCUMENT NO: 98ASB14516C</p>	<p>REV: F</p>	
	<p>CASE NUMBER: 360C-05</p>	<p>10 MAR 2006</p>	
	<p>STANDARD: NON-JEDEC</p>		

NOTES:

1. INTERPRET DIMENSIONS AND TOLERANCES PER ASME Y14.5M-1994.
2. CONTROLLING DIMENSION: INCH
3. DIMENSION H IS MEASURED .030 (0.762) AWAY FROM PACKAGE BODY

STYLE 1:

- PIN 1 - DRAIN
- 2 - GATE
- 3 - SOURCE

DIM	INCH		MILLIMETER		DIM	INCH		MILLIMETER	
	MIN	MAX	MIN	MAX		MIN	MAX	MIN	MAX
A	.375	.385	9.53	9.78	N	.357	.363	9.07	9.22
B	.225	.235	5.72	5.97	R	.227	.233	5.77	5.92
C	.105	.155	2.67	3.94	S	.225	.235	5.72	5.97
D	.210	.220	5.33	5.59					
E	.035	.045	0.89	1.14	aaa	.005		0.13	
F	.004	.006	0.1	0.15	bbb	.010		0.25	
H	.057	.067	1.45	1.7	ccc	.015		0.38	
K	.085	.115	2.16	2.92					
M	.355	.365	9.02	9.27					
© FREESCALE SEMICONDUCTOR, INC. ALL RIGHTS RESERVED.			MECHANICAL OUTLINE			PRINT VERSION NOT TO SCALE			
TITLE: NI-360S SURFACE MOUNT					DOCUMENT NO: 98ASB14516C			REV: F	
					CASE NUMBER: 360C-05			10 MAR 2006	
					STANDARD: NON-JEDEC				

PRODUCT DOCUMENTATION

Refer to the following documents to aid your design process.

Application Notes

- AN1955: Thermal Measurement Methodology of RF Power Amplifiers

Engineering Bulletins

- EB212: Using Data Sheet Impedances for RF LDMOS Devices

REVISION HISTORY

The following table summarizes revisions to this document.

Revision	Date	Description
10	Sept. 2008	<ul style="list-style-type: none">• Data sheet revised to reflect part status change, p. 1, including use of applicable overlay.• Updated Part Numbers in Table 5, Component Designations and Values, to RoHS compliant part numbers, p. 4• Replaced Case Outline 360C-05, Issue E with Issue F, p. 9-10.• Added Product Documentation and Revision History, p. 11

How to Reach Us:

Home Page:

www.freescale.com

Web Support:

<http://www.freescale.com/support>

USA/Europe or Locations Not Listed:

Freescale Semiconductor, Inc.
Technical Information Center, EL516
2100 East Elliot Road
Tempe, Arizona 85284
1-800-521-6274 or +1-480-768-2130
www.freescale.com/support

Europe, Middle East, and Africa:

Freescale Halbleiter Deutschland GmbH
Technical Information Center
Schatzbogen 7
81829 Muenchen, Germany
+44 1296 380 456 (English)
+46 8 52200080 (English)
+49 89 92103 559 (German)
+33 1 69 35 48 48 (French)
www.freescale.com/support

Japan:

Freescale Semiconductor Japan Ltd.
Headquarters
ARCO Tower 15F
1-8-1, Shimo-Meguro, Meguro-ku,
Tokyo 153-0064
Japan
0120 191014 or +81 3 5437 9125
support.japan@freescale.com

Asia/Pacific:

Freescale Semiconductor China Ltd.
Exchange Building 23F
No. 118 Jianguo Road
Chaoyang District
Beijing 100022
China
+86 10 5879 8000
support.asia@freescale.com

For Literature Requests Only:

Freescale Semiconductor Literature Distribution Center
P.O. Box 5405
Denver, Colorado 80217
1-800-441-2447 or +1-303-675-2140
Fax: +1-303-675-2150
LDCForFreescaleSemiconductor@hibbertgroup.com

Information in this document is provided solely to enable system and software implementers to use Freescale Semiconductor products. There are no express or implied copyright licenses granted hereunder to design or fabricate any integrated circuits or integrated circuits based on the information in this document.

Freescale Semiconductor reserves the right to make changes without further notice to any products herein. Freescale Semiconductor makes no warranty, representation or guarantee regarding the suitability of its products for any particular purpose, nor does Freescale Semiconductor assume any liability arising out of the application or use of any product or circuit, and specifically disclaims any and all liability, including without limitation consequential or incidental damages. "Typical" parameters that may be provided in Freescale Semiconductor data sheets and/or specifications can and do vary in different applications and actual performance may vary over time. All operating parameters, including "Typicals", must be validated for each customer application by customer's technical experts. Freescale Semiconductor does not convey any license under its patent rights nor the rights of others. Freescale Semiconductor products are not designed, intended, or authorized for use as components in systems intended for surgical implant into the body, or other applications intended to support or sustain life, or for any other application in which the failure of the Freescale Semiconductor product could create a situation where personal injury or death may occur. Should Buyer purchase or use Freescale Semiconductor products for any such unintended or unauthorized application, Buyer shall indemnify and hold Freescale Semiconductor and its officers, employees, subsidiaries, affiliates, and distributors harmless against all claims, costs, damages, and expenses, and reasonable attorney fees arising out of, directly or indirectly, any claim of personal injury or death associated with such unintended or unauthorized use, even if such claim alleges that Freescale Semiconductor was negligent regarding the design or manufacture of the part.

Freescale™ and the Freescale logo are trademarks of Freescale Semiconductor, Inc. All other product or service names are the property of their respective owners.

© Freescale Semiconductor, Inc. 2008. All rights reserved.

