

NEC

User's Manual

IE-780831-NS-EM4

Emulation Board

Target Devices

μ PD780833Y Subseries

Document No. U16239EJ2V0UM00 (1st edition)

Date Published August 2002 N CP(K)

© NEC Corporation 2002

Printed in Japan

[MEMO]

Windows is either a registered trademark or a trademark of Microsoft Corporation in the United States and/or other countries.

PC/AT is a trademark of International Business Machines Corporation.

- **The information in this document is current as of May, 2002. The information is subject to change without notice. For actual design-in, refer to the latest publications of NEC's data sheets or data books, etc., for the most up-to-date specifications of NEC semiconductor products. Not all products and/or types are available in every country. Please check with an NEC sales representative for availability and additional information.**
 - No part of this document may be copied or reproduced in any form or by any means without prior written consent of NEC. NEC assumes no responsibility for any errors that may appear in this document.
 - NEC does not assume any liability for infringement of patents, copyrights or other intellectual property rights of third parties by or arising from the use of NEC semiconductor products listed in this document or any other liability arising from the use of such products. No license, express, implied or otherwise, is granted under any patents, copyrights or other intellectual property rights of NEC or others.
 - Descriptions of circuits, software and other related information in this document are provided for illustrative purposes in semiconductor product operation and application examples. The incorporation of these circuits, software and information in the design of customer's equipment shall be done under the full responsibility of customer. NEC assumes no responsibility for any losses incurred by customers or third parties arising from the use of these circuits, software and information.
 - While NEC endeavours to enhance the quality, reliability and safety of NEC semiconductor products, customers agree and acknowledge that the possibility of defects thereof cannot be eliminated entirely. To minimize risks of damage to property or injury (including death) to persons arising from defects in NEC semiconductor products, customers must incorporate sufficient safety measures in their design, such as redundancy, fire-containment, and anti-failure features.
 - NEC semiconductor products are classified into the following three quality grades:
"Standard", "Special" and "Specific". The "Specific" quality grade applies only to semiconductor products developed based on a customer-designated "quality assurance program" for a specific application. The recommended applications of a semiconductor product depend on its quality grade, as indicated below. Customers must check the quality grade of each semiconductor product before using it in a particular application.
"Standard": Computers, office equipment, communications equipment, test and measurement equipment, audio and visual equipment, home electronic appliances, machine tools, personal electronic equipment and industrial robots
"Special": Transportation equipment (automobiles, trains, ships, etc.), traffic control systems, anti-disaster systems, anti-crime systems, safety equipment and medical equipment (not specifically designed for life support)
"Specific": Aircraft, aerospace equipment, submersible repeaters, nuclear reactor control systems, life support systems and medical equipment for life support, etc.
- The quality grade of NEC semiconductor products is "Standard" unless otherwise expressly specified in NEC's data sheets or data books, etc. If customers wish to use NEC semiconductor products in applications not intended by NEC, they must contact an NEC sales representative in advance to determine NEC's willingness to support a given application.
- (Note)
- (1) "NEC" as used in this statement means NEC Corporation and also includes its majority-owned subsidiaries.
 - (2) "NEC semiconductor products" means any semiconductor product developed or manufactured by or for NEC (as defined above).

M8E 00.4

Regional Information

Some information contained in this document may vary from country to country. Before using any NEC product in your application, please contact the NEC office in your country to obtain a list of authorized representatives and distributors. They will verify:

- Device availability
- Ordering information
- Product release schedule
- Availability of related technical literature
- Development environment specifications (for example, specifications for third-party tools and components, host computers, power plugs, AC supply voltages, and so forth)
- Network requirements

In addition, trademarks, registered trademarks, export restrictions, and other legal issues may also vary from country to country.

NEC Electronics Inc. (U.S.)

Santa Clara, California

Tel: 408-588-6000

800-366-9782

Fax: 408-588-6130

800-729-9288

NEC do Brasil S.A.

Electron Devices Division

Guarulhos-SP, Brasil

Tel: 11-6462-6810

Fax: 11-6462-6829

NEC Electronics (Europe) GmbH

Duesseldorf, Germany

Tel: 0211-65 03 01

Fax: 0211-65 03 327

• **Sucursal en España**

Madrid, Spain

Tel: 091-504 27 87

Fax: 091-504 28 60

• **Succursale Française**

Vélizy-Villacoublay, France

Tel: 01-30-67 58 00

Fax: 01-30-67 58 99

• **Filiale Italiana**

Milano, Italy

Tel: 02-66 75 41

Fax: 02-66 75 42 99

• **Branch The Netherlands**

Eindhoven, The Netherlands

Tel: 040-244 58 45

Fax: 040-244 45 80

• **Branch Sweden**

Taeby, Sweden

Tel: 08-63 80 820

Fax: 08-63 80 388

• **United Kingdom Branch**

Milton Keynes, UK

Tel: 01908-691-133

Fax: 01908-670-290

NEC Electronics Hong Kong Ltd.

Hong Kong

Tel: 2886-9318

Fax: 2886-9022/9044

NEC Electronics Hong Kong Ltd.

Seoul Branch

Seoul, Korea

Tel: 02-528-0303

Fax: 02-528-4411

NEC Electronics Shanghai, Ltd.

Shanghai, P.R. China

Tel: 021-6841-1138

Fax: 021-6841-1137

NEC Electronics Taiwan Ltd.

Taipei, Taiwan

Tel: 02-2719-2377

Fax: 02-2719-5951

NEC Electronics Singapore Pte. Ltd.

Novena Square, Singapore

Tel: 253-8311

Fax: 250-3583

INTRODUCTION

Product Overview

The IE-780831-NS-EM4 is designed to be used with the IE-78K0-NS-P02, IE-78K0-NS, or IE-78K0-NS-A to debug the following target devices that belong to the 78K0 Series of 8-bit single-chip microcontrollers.

- μ PD780833Y Subseries: μ PD780833Y, 78F0833Y

Target Readers

This manual is intended for engineers who will use the IE-780831-NS-EM4 with the IE-78K0-NS-P02, IE-78K0-NS, or IE-78K0-NS-A to perform system debugging.

Engineers who use this manual are expected to be thoroughly familiar with the target device's functions and usage methods and to be knowledgeable about debugging.

Organization

When using the IE-780831-NS-EM4, refer to not only this manual (supplied with the IE-780831-NS-EM4) but also the manual that is supplied with the IE-78K0-NS-P02, IE-78K0-NS, or IE-78K0-NS-A.

The IE-78K0-NS used in combination with the IE-78K0-NS-PA is functionally equivalent to the IE-78K0-NS-A. Therefore, as necessary, read IE-78K0-NS + IE-78K0-NS-PA for IE-78K0-NS-A in this document.

IE-78K0-NS or IE-78K0-NS-A
User's Manual

- Basic specifications
- System configuration
- External interface functions

IE-780831-NS-EM4
User's Manual

- General
- Part names
- Installation
- Differences between target devices and target interface circuits

IE-78K0-NS-P02
User's Manual

- Function overview
- Part names
- Installation

Purpose

This manual is intended to give users an understanding of the various debugging functions that can be performed when using the IE-780831-NS-EM4.

Terminology

The meanings of certain terms used in this manual are listed below.

Term	Meaning
Emulation device	This is a general term that refers to the device in the emulator that is used to emulate the target device. It includes the emulation CPU.
Emulation CPU	This is the CPU block in the emulator that is used to execute user-generated programs.
Target device	This is the device that is the target for emulation.
Target system	This includes the target program and the hardware provided by the user. When defined narrowly, it includes only the hardware.
IE system	This refers to the combination of the in-circuit emulator (IE-78K0-NS or IE-78K0-NS-A), I/O board (IE-78K0-NS-P02), and the emulation board (IE-780831-NS-EM4).

Conventions

Data significance: Higher digits on the left and lower digits on the right

Note: Footnote for item marked with **Note** in the text

Caution: Information requiring particular attention

Remark: Supplementary information

Related Documents

The related documents (user's manuals) indicated in this publication may include preliminary versions. However, preliminary versions are not marked as such.

Document Name	Document No.
IE-78K0-NS In-Circuit Emulator	U13731E
IE-78K0-NS-A In-Circuit Emulator	U14889E
IE-78K0-NS-P02 I/O board	U16108E
IE-780831-NS-EM4 Emulation Board	This manual
ID78K Series Integrated Debugger Ver. 2.30 or Later Operation Windows™ Based	U15185E
μPD780833Y Subseries	U13892E

Caution The documents listed above are subject to change without notice. Be sure to use the latest documents when designing.

CONTENTS

CHAPTER 1 GENERAL	10
1.1 System Configuration.....	11
1.2 Hardware Configuration.....	13
1.3 Basic Specifications.....	14
CHAPTER 2 PART NAMES	15
2.1 Parts of Main Unit	16
CHAPTER 3 INSTALLATION	17
3.1 Connection.....	18
3.2 Clock Settings.....	19
3.2.1 Overview of clock settings	19
3.2.2 System clock settings	21
3.3 External Trigger	24
3.4 Jumper Settings on IE-78K0-NS.....	25
3.5 Jumper Settings on IE-78K0-NS-A	25
CHAPTER 4 DIFFERENCES BETWEEN TARGET DEVICES AND TARGET INTERFACE CIRCUITS	26
CHAPTER 5 RESTRICTIONS	29
APPENDIX A EMULATION PROBE PIN ASSIGNMENT TABLE	30
APPENDIX B CAUTIONS ON DESIGNING TARGET SYSTEM	32

LIST OF FIGURES

Figure No.	Title	Page
1-1	System Configuration	11
1-2	Basic Hardware Configuration (Using IE-78K0-NS)	13
1-3	Basic Hardware Configuration (Using IE-78K0-NS-A).....	13
2-1	IE-780831-NS-EM4 Part Names.....	16
3-1	Connection of Emulation Probe	18
3-2	External Circuits Used as System Clock Oscillator	19
3-3	When Using User-Mounted Clock (System Clock)	20
3-4	When Using an External Clock	20
3-5	Connections on Parts Board (When Using System Clock or User-Mounted Clock)	22
3-6	Crystal Oscillator (When Using System Clock or User-Mounted Clock).....	23
3-7	Pin Alignment of Crystal Oscillator and Socket	23
3-8	External Trigger Input Position	24
4-1	Equivalent Circuit of Emulation Circuit 1.....	27
4-2	Equivalent Circuit of Emulation Circuit 2.....	27
4-3	Equivalent Circuit of Emulation Circuit 3.....	28
B-1	Distance Between IE System and Conversion Adapter.....	32
B-2	Connection Condition of Target System (NP-80GC-TQ)	33
B-3	Connection Condition of Target System (NP-H80GC-TQ)	33

LIST OF TABLES

Table No	Title	Page
1-1	Correspondence Between Emulation Probe and Conversion Socket/Conversion Adapter.....	12
1-2	Basic Specifications	14
3-1	System Clock Settings.....	21
3-2	Jumper Settings on IE-78K0-NS	25
3-3	Jumper Settings on IE-78K0-NS-A G-780009 Board	25
3-4	Jumper Settings on IE-78K0-NS-A G-78K0H Option Board.....	25
5-1	Initial Values of Ports at IE System Startup While Target System Is Not Connected.....	29
A-1	NP-80GC, NP-80GC-TQ, and NP-H80GC-TQ Pin Assignments	30
B-1	Distance Between IE System and Conversion Adapter	32

CHAPTER 1 GENERAL

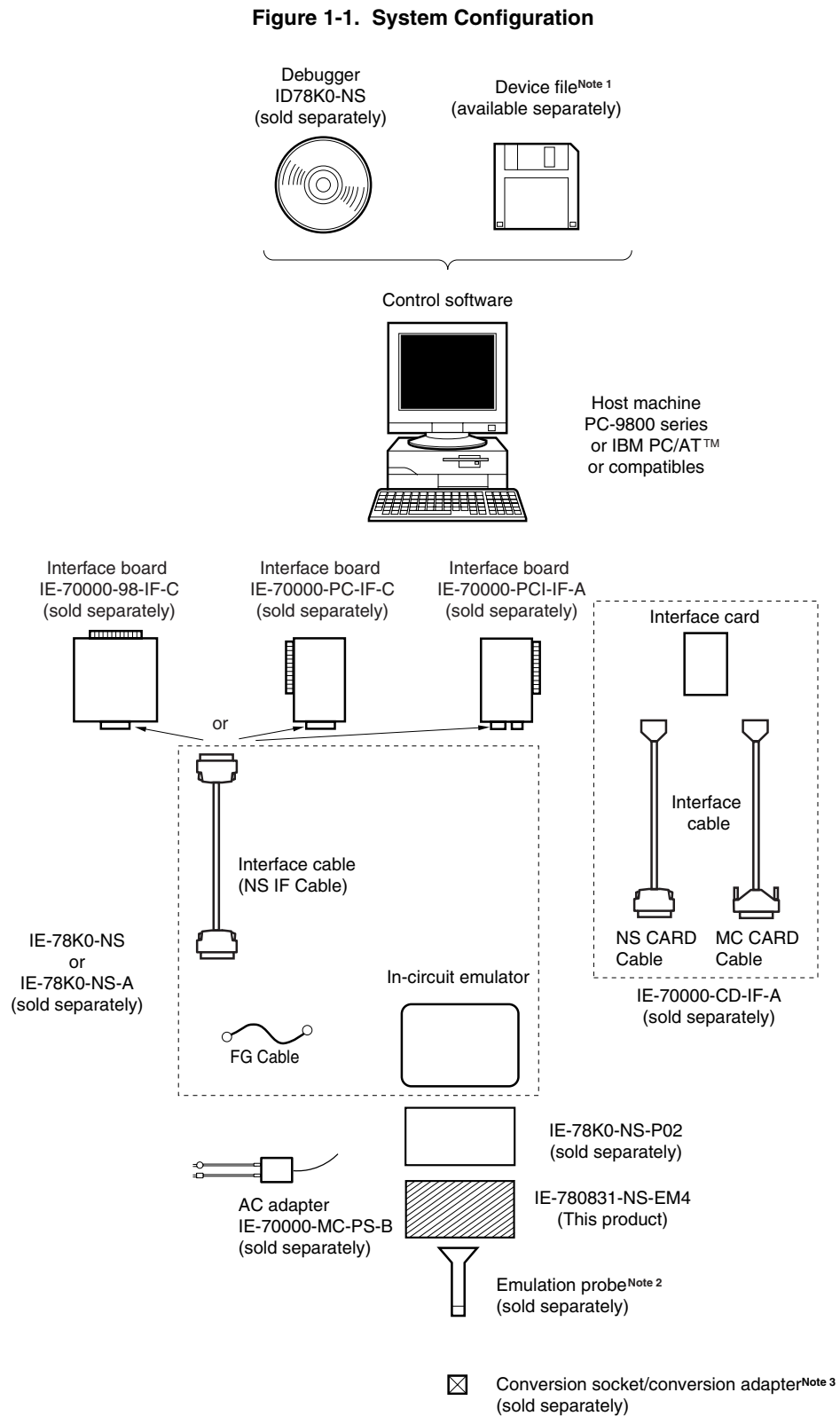
The IE-780831-NS-EM4 is a development tool for efficient debugging of hardware or software when using one of the following target devices that belong to the 78K/0 Series of 8-bit single-chip microcontrollers.

This chapter describes the IE-780831-NS-EM4's system configuration and basic specifications.

- Target devices
 - μ PD780833Y Subseries

1.1 System Configuration

Figure 1-1 illustrates the IE-780831-NS-EM4's system configuration.



Notes 1. The device file is as follows.

μ SxxxxDF780833: μ PD780833Y Subseries

The device file can be downloaded from the web site of NEC Electron Devices (<http://www.ic.nec.co.jp/micro/>).

2. The emulation probes NP-80GC, NP-80GC-TQ, and NP-H80GC-TQ are products of Naito Densai Machida Mfg. Co., Ltd.

For further information, contact Naito Densai Machida Mfg. Co., Ltd. (TEL: +81-45-475-4191)

3. The conversion adapter TGC-080SBP is a product of TOKYO ELETECH CORPORATION.

For further information, contact Daimaru Kogyo, Ltd.

Tokyo Electronics Department (TEL: +81-3-3820-7112)

Osaka Electronics Department (TEL: +81-6-6244-6672)

The correspondence between the emulation probes and conversion socket/conversion adapters that are sold separately is shown in the Table 1-1.

Table 1-1. Correspondence Between Emulation Probe and Conversion Socket/Conversion Adapter

Package	Emulation Probe	Conversion Socket/Conversion Adapter
80-pin plastic QFP	NP-80GC (Probe length: 200 mm)	EV-9200GC-80
	NP-80GC-TQ (Probe length: 200 mm)	TGC-080SBP
	NP-H80GC-TQ (Probe length: 400 mm)	

1.2 Hardware Configuration

Figures 1-2 and 1-3 show the IE-780831-NS-EM4's position in the basic hardware configuration.

Figure 1-2. Basic Hardware Configuration (Using IE-78K0-NS)

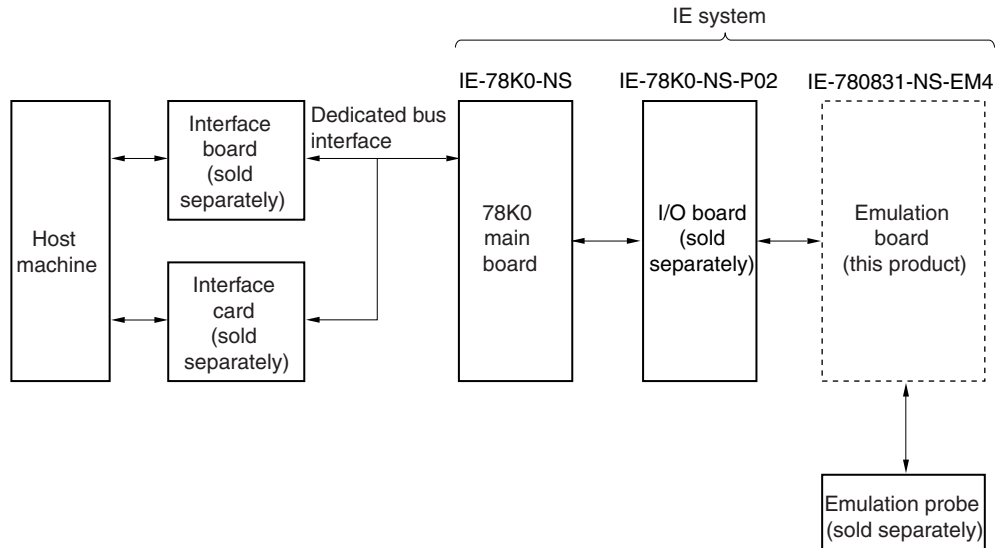
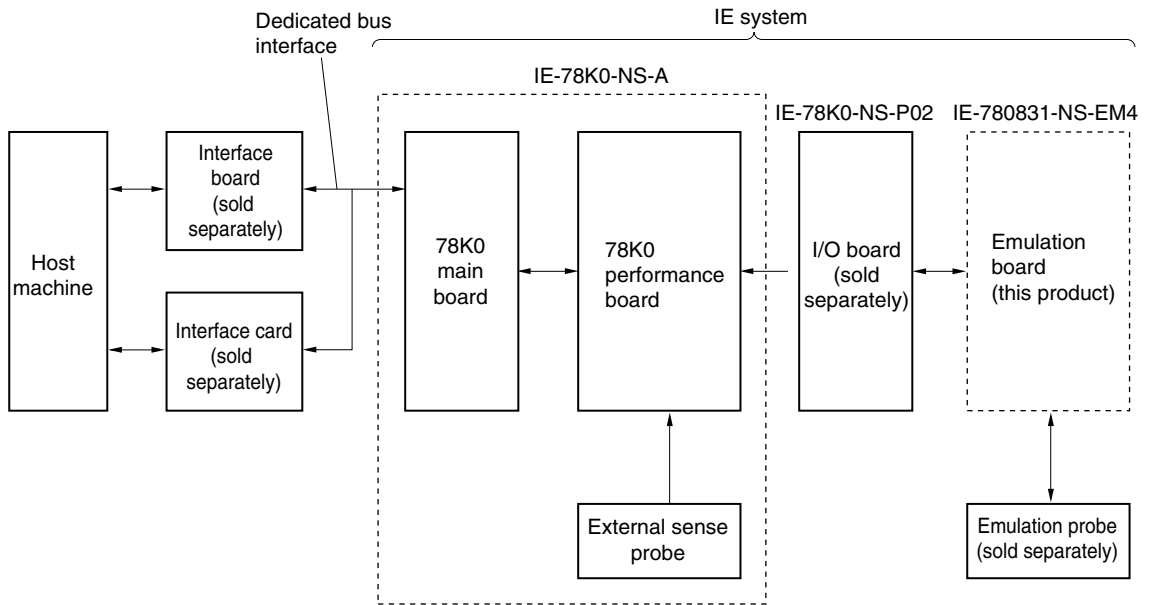


Figure 1-3. Basic Hardware Configuration (Using IE-78K0-NS-A)



1.3 Basic Specifications

The IE-780831-NS-EM4's basic specifications are listed in Table 1-2.

Table 1-2. Basic Specifications

Parameter	Description
Target device	μ PD780833Y, 78F0833Y Subseries
System clock	4.194304 MHz
System clock supply	External: Clock input from the target system via an emulation probe Internal: Clock mounted on the I/O board (4.194304 MHz) or mounted on the parts board by the user
Low voltage support	Not supported

CHAPTER 2 PART NAMES

This chapter introduces the parts of the IE-780831-NS-EM4 main unit.

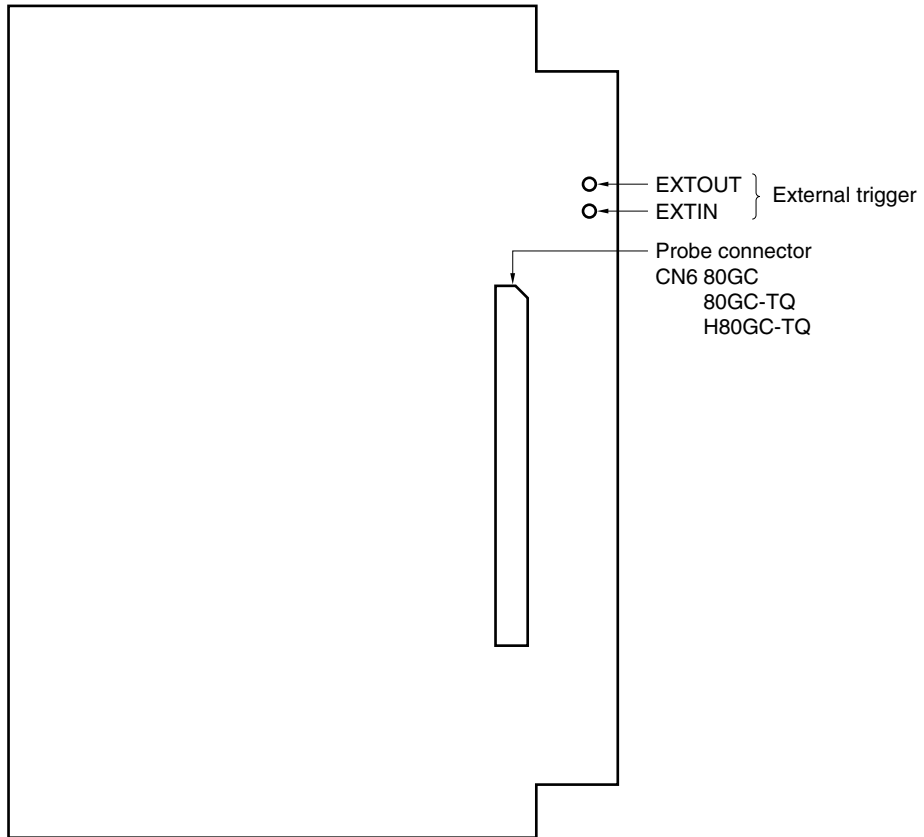
The packing box contains the emulation board (IE-780831-NS-EM4), packing list, user's manual, and guarantee card.

If there are any missing or damaged items, please contact an NEC sales representative.

Fill out and return the guarantee card that comes with the main unit.

2.1 Parts of Main Unit

Figure 2-1. IE-780831-NS-EM4 Part Names



CHAPTER 3 INSTALLATION

This chapter describes methods for connecting the IE-780831-NS-EM4 to the IE-78K0-NS-P02, IE-78K0-NS, or IE-78K0-NS-A, emulation probe, etc. Mode setting methods are also described.

Caution Connecting or removing components to or from the target system, or making switch or other setting changes must be carried out after the power supply to both the IE system and the target system has been switched OFF.

3.1 Connection

(1) Connection with IE-78K0-NS-P02 and IE-78K0-NS or IE-78K0-NS-A main unit

See the **IE-78K0-NS User's Manual (U13731E)** for a description of how to connect the IE-780831-NS-EM4 to the IE-78K0-NS-P02 and IE-78K0-NS.

See the **IE-78K0-NS-A User's Manual (U14889E)** for a description of how to connect the IE-780831-NS-EM4 to the IE-78K0-NS-P02 and IE-78K0-NS-A.

(2) Connection with emulation probe

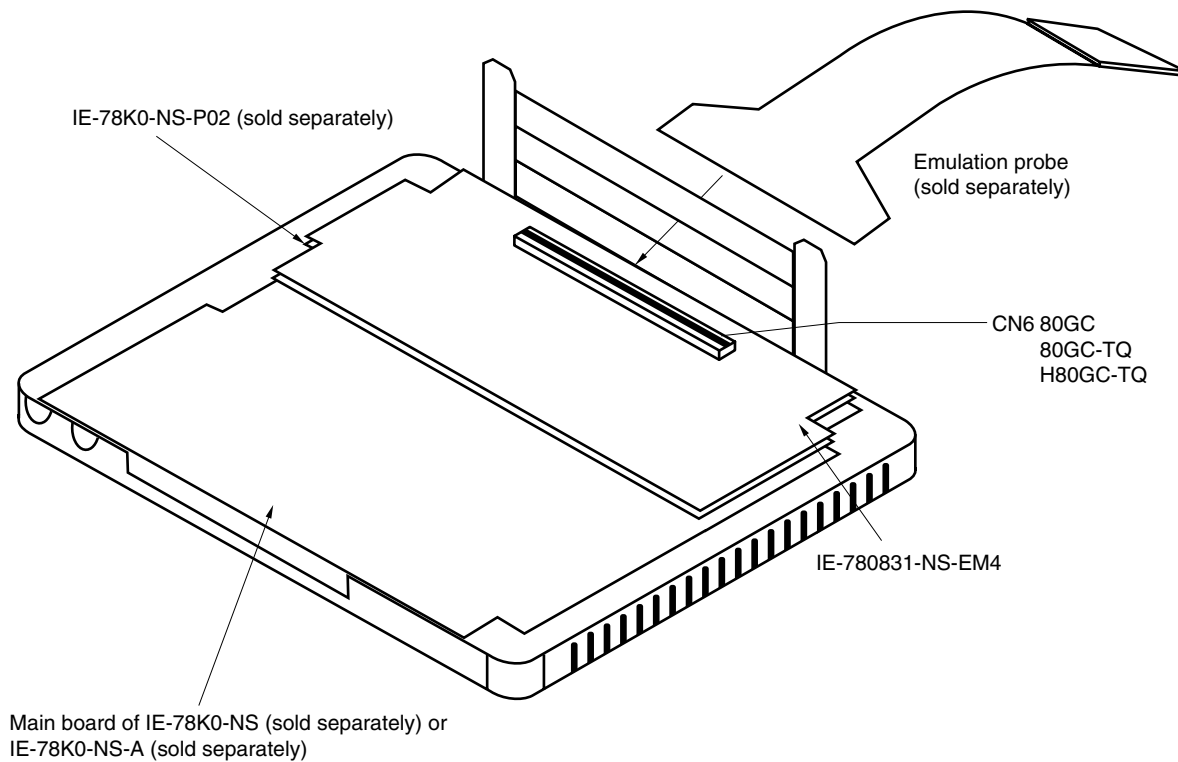
See the **IE-78K0-NS User's Manual (U13731E)** or **IE-78K0-NS-A User's Manual (U14889E)** for a description of how to connect an emulation probe to the IE-780831-NS-EM4.

On this board, connect the emulation probe to CN6.

Caution Incorrect connection may damage the IE system.

Be sure to read the emulation probe's user's manual for a detailed description of the connection method.

Figure 3-1. Connection of Emulation Probe



3.2 Clock Settings

3.2.1 Overview of clock settings

The system clocks to be used during debugging can be selected from (1) or (2) below.

(1) Clock that is mounted by user

(2) External clock

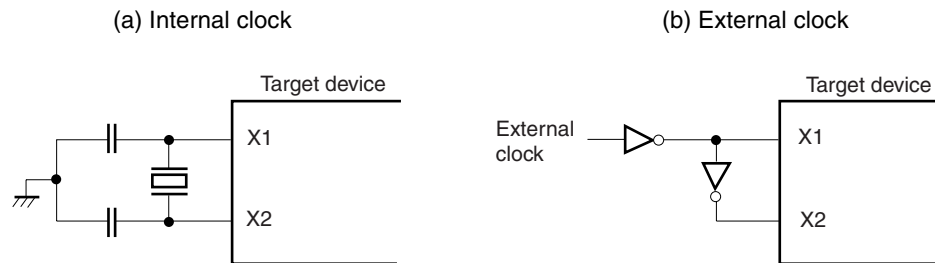
If the target system includes an internal clock, select **(1) Clock that is mounted by user**. For an internal clock, a resonator is connected to the target device and the target device's internal oscillator is used. An example of the external circuit is shown in part (a) of Figure 3-2. During emulation, the resonator that is mounted on the target system is not used. Instead, the clock (X1) that is to be mounted on the IE-78K0-NS-P02 is used.

If the target system includes an external clock, select **(2) External clock**.

For an external clock, a clock signal is supplied from outside the target device and the target device's internal oscillator is not used. An example of the external circuit is shown in part (b) of Figure 3-2.

Caution The IE system will be hung-up if the system clock is not supplied normally. Moreover, be sure to input a rectangular wave as the clock from the target. The IE system does not operate if the crystal resonator is directly connected to X1.

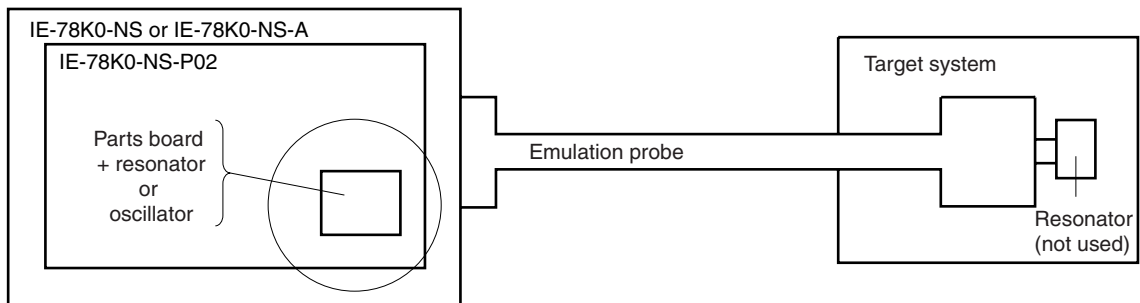
Figure 3-2. External Circuits Used as System Clock Oscillator



(1) Clock that is mounted by user

The user is able to mount any clock supported by the set specifications on the IE-78K0-NS-P02. Remove the parts board (X1) that is already mounted on the IE-78K0-NS-P02, and mount either the parts board on which the resonator to be used is mounted or an oscillator. This method is useful when using a different frequency from that of the pre-mounted clock.

Figure 3-3. When Using User-Mounted Clock (System Clock)

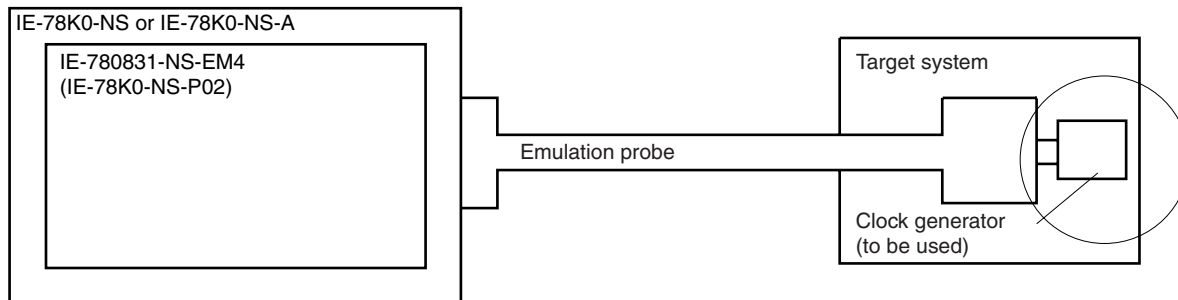


Remark The clock that is supplied by the IE-78K0-NS-P02's resonator or oscillator (encircled in the figure) is used.

(2) External clock

An external clock connected to the target system can be used via an emulation probe.

Figure 3-4. When Using an External Clock



Remark The clock supplied by the target system's clock generator (encircled in the figure) is used.

3.2.2 System clock settings

Table 3-1. System Clock Settings

Frequency of System Clock		IE-78K0-NS-P02	CPU Clock Source Selection (ID78K0-NS)
		X1 Socket	
When using clock mounted by user	Up to 4.194304 MHz	Oscillator assembled by user	External
When using external clock		Oscillator (not used)	

Caution Open the configuration dialog box when starting the integrated debugger (ID78K0-NS) and select “External” in the area (Clock) for selecting the CPU clock source (this selects the user clock). When “Internal” is selected, the system clock frequency is 8.38 MHz.

(1) When using clock mounted by user

Execute the settings described under either (a) or (b), depending on the type of clock to be used.

When starting the integrated debugger (ID78K0-NS), open the configuration dialog box and select “External” in the area (Clock) for selecting the CPU clock source (this selects the emulator internal clock).

(a) When using a ceramic resonator or crystal resonator

● Items to be prepared

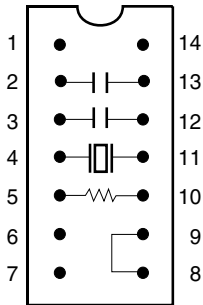
- Parts board
- Ceramic resonator or crystal resonator
- Resistor Rx
- Capacitor CA
- Capacitor CB
- Solder kit

<Steps>

- <1> Solder the target ceramic resonator or crystal resonator and resistor Rx, capacitor CA, and capacitor CB (all with suitable oscillation frequency) as shown below.

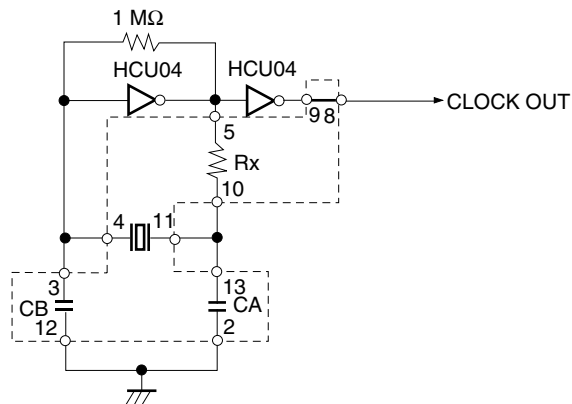
Figure 3-5. Connections on Parts Board (When Using System Clock or User-Mounted Clock)

Parts board (X1) of
IE-78K0-NS-P02



Pin No.	Connection
2-13	Capacitor CA
3-12	Capacitor CB
4-11	Ceramic resonator or crystal resonator
5-10	Resistor Rx
8-9	Shorted

Circuit diagram



Remark The sections enclosed in broken lines indicate parts that are attached to the parts board.

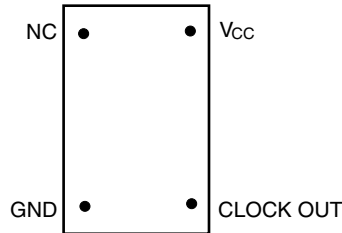
- <2> Prepare the IE-78K0-NS-P02.
- <3> Remove the crystal oscillator that is mounted in the IE-78K0-NS-P02's X1 socket.
- <4> Connect the parts board (from <1> above) to the X1 socket from which the crystal oscillator was removed. Check the pin 1 mark to make sure the board is mounted in the correct direction.
- <5> Make sure that the parts board is wired as shown in Figure 3-5 above.
- <6> Connect to the IE-78K0-NS or IE-78K0-NS-A to the combined IE-78K0-NS-P02 and IE-780831-NS-EM4.

The above steps configure the following circuit and enable supply of the clock from the mounted resonator to the emulation device.

(b) When using a crystal oscillator

- Items to be prepared
 - Crystal oscillator (see pinouts shown in Figure 3-6)

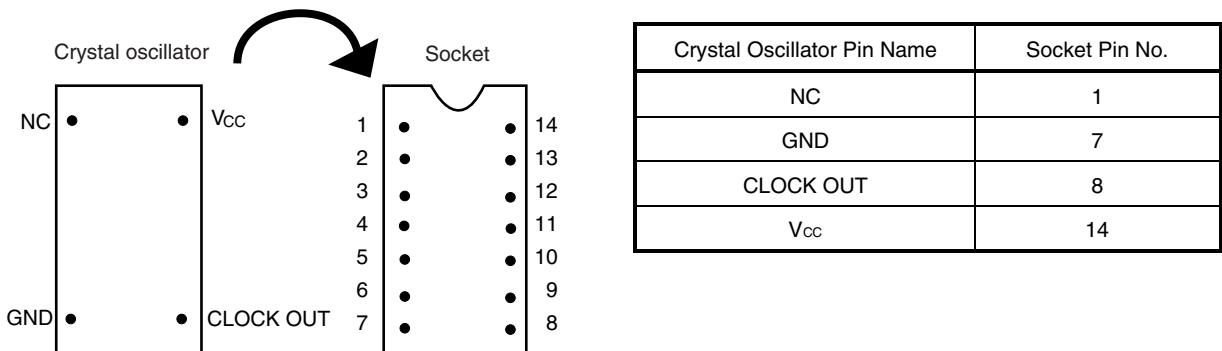
Figure 3-6. Crystal Oscillator (When Using System Clock or User-Mounted Clock)



<Steps>

- <1> Prepare the IE-78K0-NS-P02.
- <2> Remove the parts board that is mounted in the IE-78K0-NS-P02's X1 socket.
- <3> Mount the crystal oscillator prepared by the user in the X1 socket from which the parts board was removed in <2> above. Insert the crystal oscillator pin into the socket aligning the pins as shown in the figure below.

Figure 3-7. Pin Alignment of Crystal Oscillator and Socket



- <4> Connect to the IE-78K0-NS or IE-78K0-NS-A to the combined IE-78K0-NS-P02 and IE-780831-NS-EM4.

The above steps configure the following circuit and enable supply of the clock from the mounted resonator to the emulation device.

(2) When using external clock

No hardware settings are required for this situation.

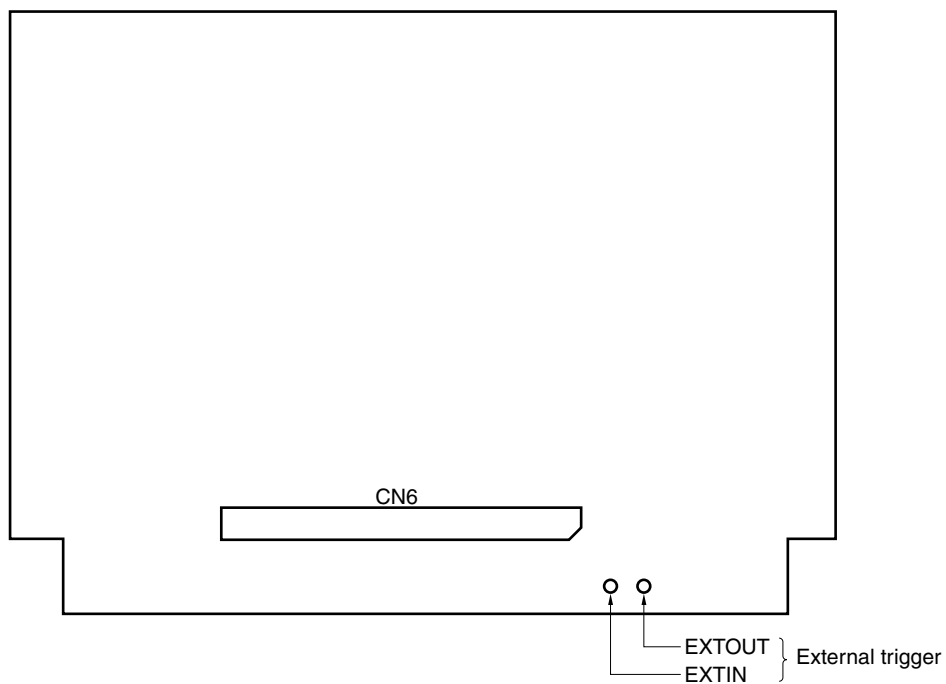
When starting the integrated debugger (ID78K0-NS), open the configuration dialog box and select “External” in the area (Clock) for selecting the CPU’s clock source (this selects the user clock).

3.3 External Trigger

Connect the external trigger to the IE-780831-NS-EM4's check pins EXTOUT and EXTIN as shown below.

See the **ID78K Series Operation (Windows Based) User's Manual (U15185E)** for descriptions of related use methods, and see the **IE-78K0-NS User's Manual (U13731E)** or **IE-78K0-NS-A User's Manual (U14889E)** for pin characteristics.

Figure 3-8. External Trigger Input Position



3.4 Jumper Settings on IE-78K0-NS

When using the IE-780831-NS-EM4 in combination with the IE-78K0-NS, set the jumper on the IE-78K0-NS as shown below.

For details of these jumper positions, refer to the **IE-78K0-NS User's Manual (U13731E)**.

Caution If the jumpers are set incorrectly, the board may be damaged.

Table 3-2. Jumper Settings on IE-78K0-NS

	JP2	JP3	JP4	JP6	JP7	JP8
Setting	2 to 3 shorted	1 to 2 shorted	1 to 2 shorted	3 to 4 shorted	1 to 2 shorted	3 to 4 shorted

3.5 Jumper Settings on IE-78K0-NS-A

When using the IE-780831-NS-EM4 in combination with the IE-78K0-NS-A, set the jumper on the IE-78K0-NS-A as shown below.

For details of these jumper positions, refer to the **IE-78K0-NS-A User's Manual (U14889E)**.

Caution If the jumpers are set incorrectly, the board may be damaged.

Table 3-3. Jumper Settings on IE-78K0-NS-A G-780009 Board

	JP2	JP3	JP4	JP6	JP7	JP8
Setting	2 to 3 shorted	1 to 2 shorted	1 to 2 shorted	3 to 4 shorted	1 to 2 shorted	3 to 4 shorted

Table 3-4. Jumper Settings on IE-78K0-NS-A G-78K0H Option Board

	JP2
Setting	2 to 3 shorted

CHAPTER 4 DIFFERENCES BETWEEN TARGET DEVICES AND TARGET INTERFACE CIRCUITS

This chapter describes differences between the target device's signal lines and the signal lines of the IE-780831-NS-EM4's target interface circuit.

Although the target device is a CMOS circuit, the IE-780831-NS-EM4's target interface circuit consists of emulation circuits such as an emulation CPU, TTL, and CMOS-IC.

When the IE system is connected with the target system for debugging, the IE system performs emulation so as to operate as the actual target device would operate in the target system.

However, some minor differences exist since the operations are performed via the IE system's emulation.

- (1) Signals input or output from the emulation CPU (μ PD7880)
- (2) Signals input or output from the emulation CPU (μ PD7881)
- (3) Other signals

The circuits of the IE-78K0-NS-P02 and IE-780831-NS-EM4's are used as follows for signals listed in (1) to (3) above.

(1) Signals input to or output from the emulation CPU (μ PD7880)

See **Figure 4-1 Equivalent Circuit of Emulation Circuit 1.**

- P27 to P20
- P36 to P30
- P75 to P70
- P87 to P80
- P97 to P90
- AV_{DD0}
- AV_{REF0}
- AV_{SS0}
- AV_{REF1}
- AV_{SS1}
- $\overline{\text{RESET}}$
- X1

(2) Signals input to or output from the emulation CPU (μ PD7881)

See **Figure 4-2 Equivalent Circuit of Emulation Circuit 2.**

- P07 to P00
- P47 to P40
- P57 to P50
- P67 to P64

(3) Other signals

See Figure 4-3 Equivalent Circuit of Emulation Circuit 3.

- V_{DD0}, V_{DD1}
- V_{SS0}, V_{SS1}
- V_{PP}/TEST
- X2
- C2TX
- C2RX

Figure 4-1. Equivalent Circuit of Emulation Circuit 1

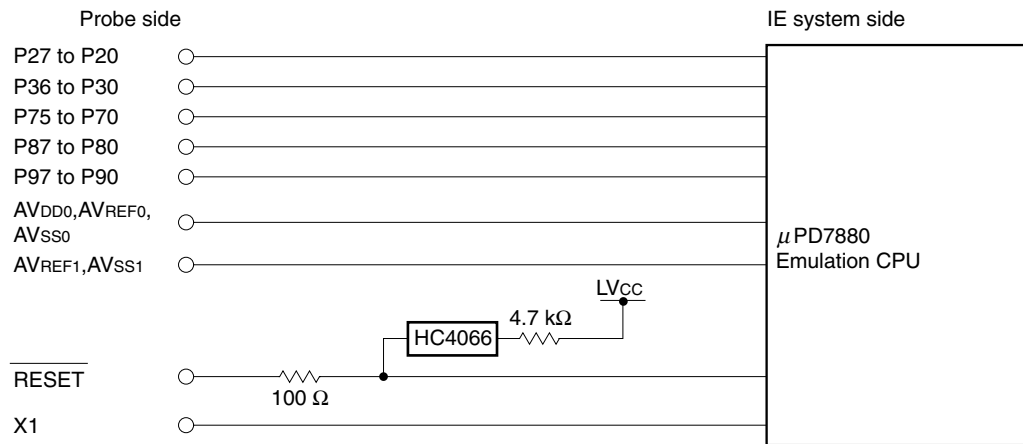


Figure 4-2. Equivalent Circuit of Emulation Circuit 2

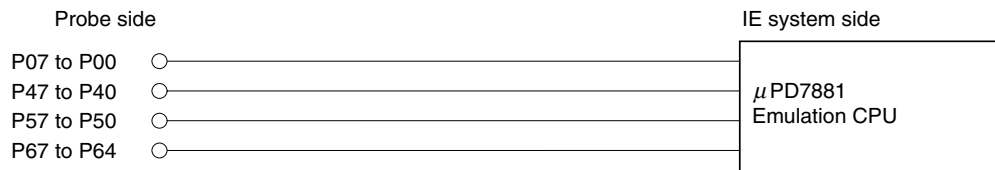
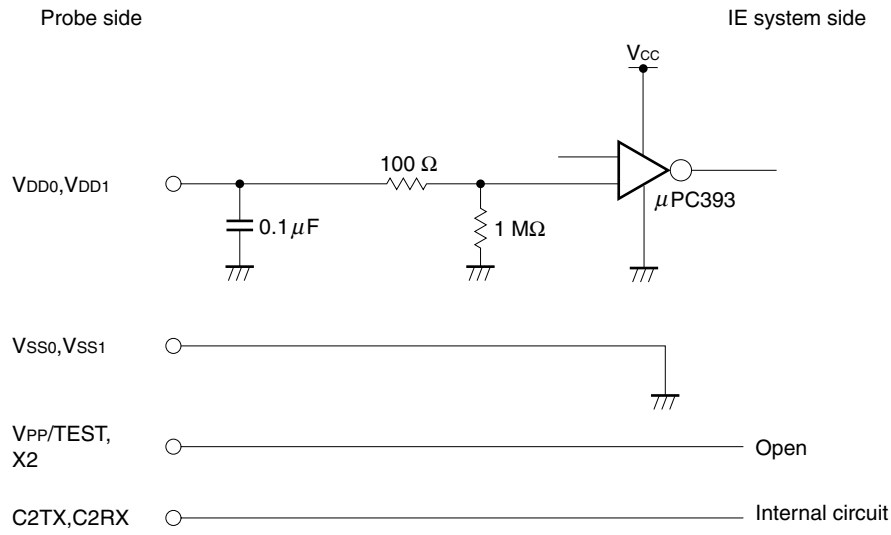


Figure 4-3. Equivalent Circuit of Emulation Circuit 3



CHAPTER 5 RESTRICTIONS

The restrictions for the IE-780831-NS-EM4 are shown below.

- (1) When the target system is not connected, the initial values of the ports are undefined.

Table 5-1. Initial Values of Ports at IE System Startup While Target System Is Not Connected

	Emulator	Target Device
Initial value of port	Undefined	00H

- (2) The values of the bits fixed to 1 become undefined in the port mode registers PM3, PM6, and PM7.
- Bit 7 of PM3
 - Bits 0, 1, 2, and 3 of PM6
 - Bits 6 and 7 of PM7

APPENDIX A EMULATION PROBE PIN ASSIGNMENT TABLE

Table A-1. NP-80GC, NP-80GC-TQ, and NP-H80GC-TQ Pin Assignments (1/2)

Emulation Probe	CN6 Pin No.	Emulation Probe	CN6 Pin No.
1	114	33	56
2	113	34	49
3	108	35	50
4	107	36	45
5	104	37	46
6	103	38	41
7	100	39	42
8	99	40	35
9	94	41	8
10	93	42	7
11	30	43	14
12	29	44	13
13	24	45	18
14	23	46	17
15	20	47	22
16	19	48	21
17	16	49	28
18	15	50	27
19	10	51	92
20	9	52	91
21	37	53	98
22	43	54	97
23	44	55	102
24	47	56	101
25	48	57	106
26	51	58	105
27	52	59	112
28	57	60	111
29	58	61	83
30	59	62	77
31	60	63	78
32	55	64	73

- Remarks**
1. The NP-80GC, NP-80GC-TQ, and NP-H80GC-TQ are products of Naito Densei Machida Mfg. Co., Ltd.
 2. The numbers in the “Emulation Probe” column indicate the corresponding pin number on the emulation probe tip.

Table A-1. NP-80GC, NP-80GC-TQ, and NP-H80GC-TQ Pin Assignments (2/2)

Emulation Probe	CN6 Pin No.	Emulation Probe	CN6 Pin No.
65	74	73	66
66	69	74	71
67	70	75	72
68	63	76	75
69	64	77	76
70	61	78	79
71	62	79	80
72	65	80	85

- Remarks**
1. The NP-80GC, NP-80GC-TQ, and NP-H80GC-TQ are products of Naito Densei Machida Mfg. Co., Ltd.
 2. The numbers in the "Emulation Probe" column indicate the corresponding pin number on the emulation probe tip.

APPENDIX B CAUTIONS ON DESIGNING TARGET SYSTEM

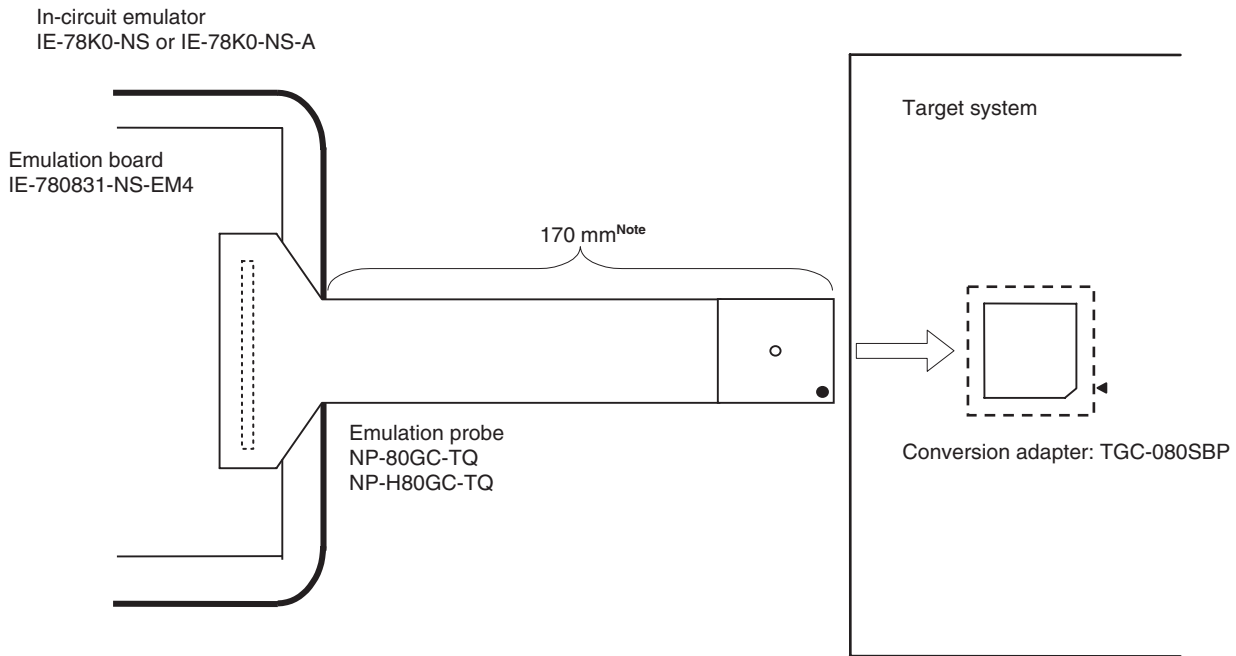
Figures B-1 to B-3 show the conditions when connecting the emulation probe to the conversion adapter. Follow the configuration below and consider the shape of parts to be mounted on the target system when designing a system.

In the product names described in this appendix, NP-80GC-TQ and NP-H80GC-TQ are products of Naito Densetsu Machida Mfg. Co., Ltd. and TGC-080SBP is a product of TOKYO ELETECH CORPORATION.

Table B-1. Distance Between IE System and Conversion Adapter

Emulation Probe	Conversion Adapter	Distance Between IE System and Conversion Adapter
NP-80GC-TQ	TGC-080SBP	170 mm
NP-H80GC-TQ	TGC-080SBP	370 mm

Figure B-1. Distance Between IE System and Conversion Adapter



Note Distance when NP-80GC-TQ is used. When NP-H80GC-TQ is used, the distance is 370 mm.

Figure B-2. Connection Condition of Target System (NP-80GC-TQ)

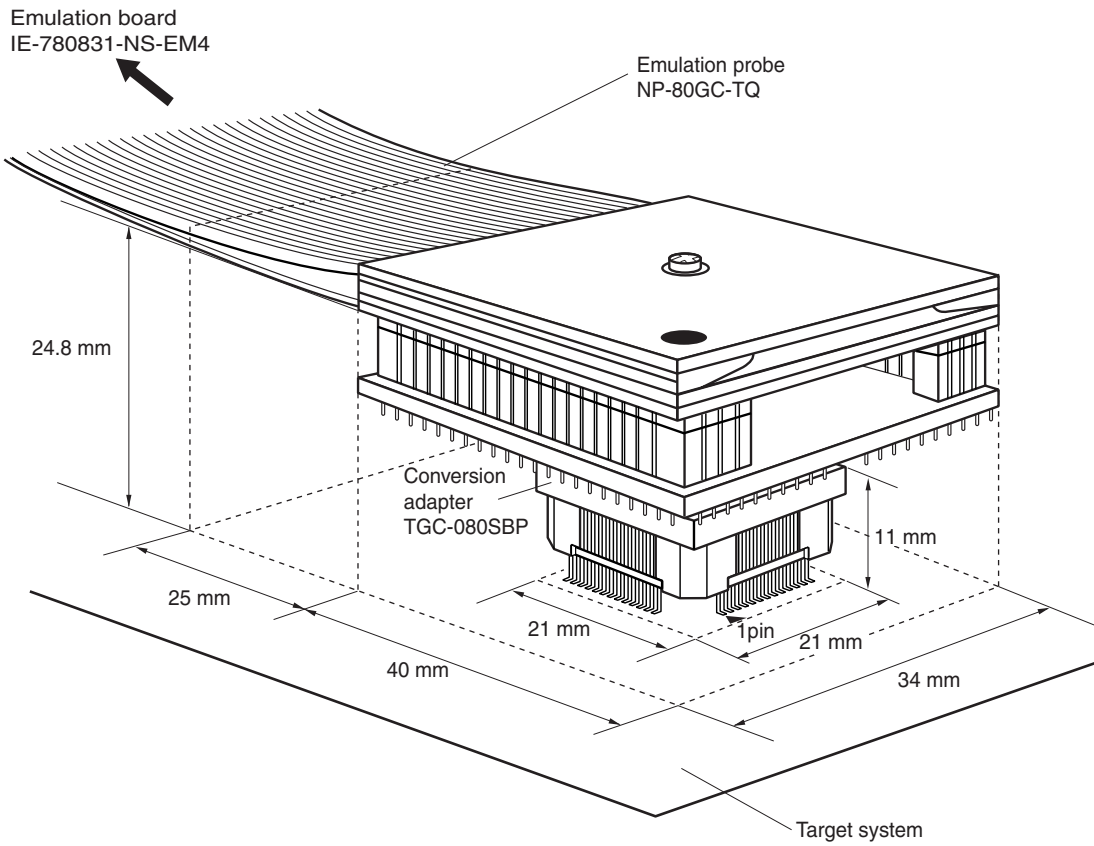
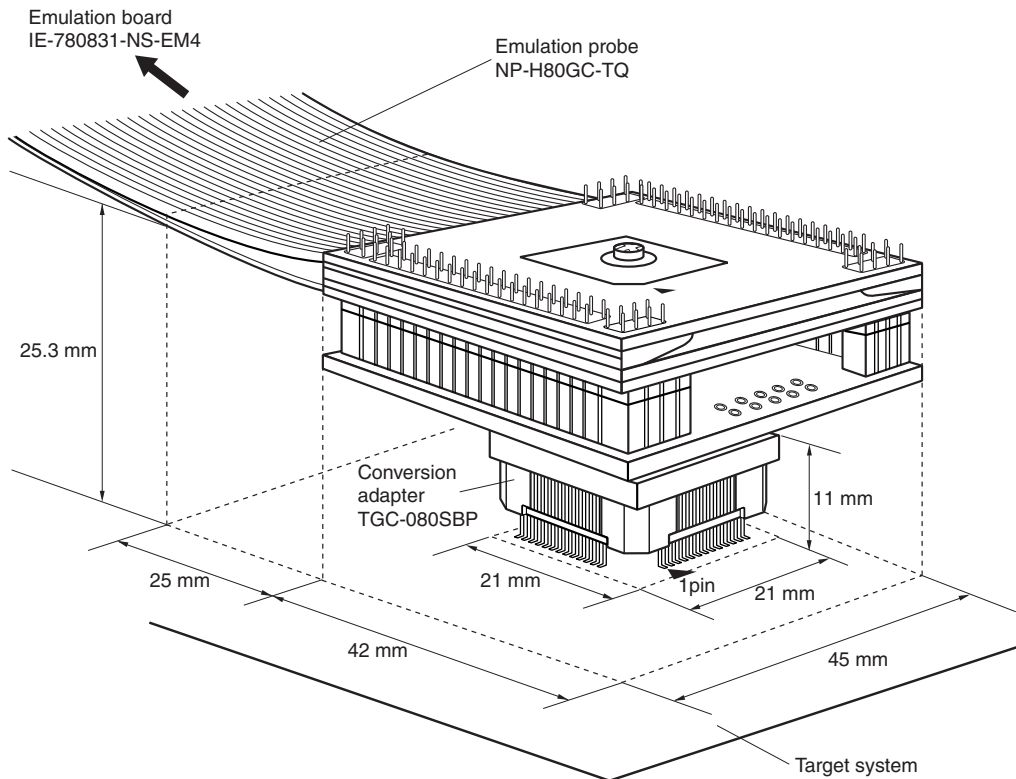


Figure B-3. Connection Condition of Target System (NP-H80GC-TQ)



[MEMO]

Facsimile Message

Although NEC has taken all possible steps to ensure that the documentation supplied to our customers is complete, bug free and up-to-date, we readily accept that errors may occur. Despite all the care and precautions we've taken, you may encounter problems in the documentation. Please complete this form whenever you'd like to report errors or suggest improvements to us.

From:

Name

Company

Tel.

FAX

Address

Thank you for your kind support.

North America

NEC Electronics Inc.
Corporate Communications Dept.
Fax: +1-800-729-9288
+1-408-588-6130

Hong Kong, Philippines, Oceania

NEC Electronics Hong Kong Ltd.
Fax: +852-2886-9022/9044

Taiwan

NEC Electronics Taiwan Ltd.
Fax: +886-2-2719-5951

Europe

NEC Electronics (Europe) GmbH
Market Communication Dept.
Fax: +49-211-6503-274

Korea

NEC Electronics Hong Kong Ltd.
Seoul Branch
Fax: +82-2-528-4411

Asian Nations except Philippines

NEC Electronics Singapore Pte. Ltd.
Fax: +65-250-3583

South America

NEC do Brasil S.A.
Fax: +55-11-6462-6829

P.R. China

NEC Electronics Shanghai, Ltd.
Fax: +86-21-6841-1137

Japan

NEC Semiconductor Technical Hotline
Fax: +81-44-435-9608

I would like to report the following error/make the following suggestion:

Document title: _____

Document number: _____ Page number: _____

If possible, please fax the referenced page or drawing.

Document Rating	Excellent	Good	Acceptable	Poor
Clarity	<input type="checkbox"/>	<input type="checkbox"/>	<input type="checkbox"/>	<input type="checkbox"/>
Technical Accuracy	<input type="checkbox"/>	<input type="checkbox"/>	<input type="checkbox"/>	<input type="checkbox"/>
Organization	<input type="checkbox"/>	<input type="checkbox"/>	<input type="checkbox"/>	<input type="checkbox"/>