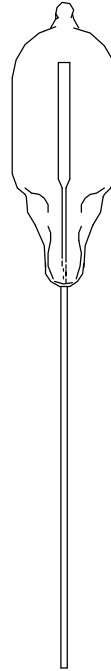
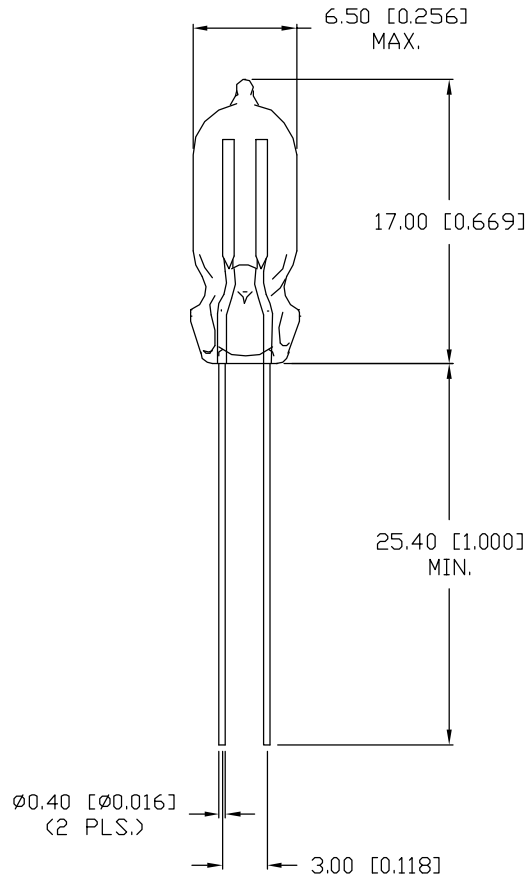


UNCONTROLLED DOCUMENT

PART NUMBER
GT-NE6H1725(T)

REV.



ELECTRO-OPTICAL CHARACTERISTICS				
PARAMETER	MIN	TYP	MAX	UNITS
OPERATING VOLTAGE	90		115	V
STARTING VOLTAGE AC/DC			95/135	V
OPERATING CURRENT		1.5		mA
LIGHT OUTPUT		130		mLM
LIFE HOURS		30,000		HOURS

NOTES:

1. EXTERNAL RESISTOR VALUE 33K OHMS.
2. PART NUMBER SUFFIX "T" FOR TINNED LEADS.

UNCONTROLLED DOCUMENT

*UNLESS OTHERWISE SPECIFIED TOLERANCES PER DECIMAL PRECISION ARE: X=±1 (±0.039), X.X=±0.5 (±0.020), X.XX=±0.25 (±0.010), X.XXX=±0.127 (±0.005). LEAD SIZE=±0.05 (±0.002), LEAD LENGTH=±0.75 (±0.030). MIN.= +DECIMAL PRECISION MAX.= +0.00 -DECIMAL PRECISION

REV.

PART NUMBER
GT-NE6H1725(T)

CONFIDENTIAL INFORMATION
 THE INFORMATION CONTAINED IN THIS DOCUMENT IS THE PROPERTY OF LUMEX INC. EXCEPT AS SPECIFICALLY AUTHORIZED IN WRITING BY LUMEX INC., THE HOLDER OF THIS DOCUMENT SHALL KEEP ALL INFORMATION CONTAINED HEREIN CONFIDENTIAL AND SHALL PROTECT SAME IN WHOLE OR IN PART FROM DISCLOSURE AND DISSEMINATION TO ALL THIRD PARTIES.



290 E. HELEN ROAD
 PALATINE, IL 60067-6976
 PHONE: +1.847.359.2790
 US WEB: www.lumex.com
 TW WEB: www.lumex.com.tw

GAS TUBE LAMP, HIGH BRIGHTNESS.

RELIABILITY NOTE
 OUR MANY YEARS OF EXPERIENCE DATA ACCUMULATION INDICATE THAT SOLDER HEAT IS A MAJOR CAUSE OF EARLY AND FUTURE FAILURE. PLEASE PAY ATTENTION TO YOUR SOLDERING PROCESS.

DRAWN BY: CT	CHECKED BY:	APPROVED BY:	DATE: 4.22.03
			PAGE: 1 OF 1
			SCALE: N/A