

Specifications

Insulation Resistance:	500MΩ min. at 500V DC
Withstanding Voltage:	500V ACrms for 1 minute
Contact Resistance:	35mΩ max. at 10mA / 20mV max. Current
Rating:	0.5A
Voltage Rating:	5.0Vrms
Operating Temp. Range:	-55°C to +85°C
Mating Cycles:	5,000 insertions

Part Number (Details)

FMS 006 - 0001

Series

No. of Contacts

1 = With Switch

Materials and Finish

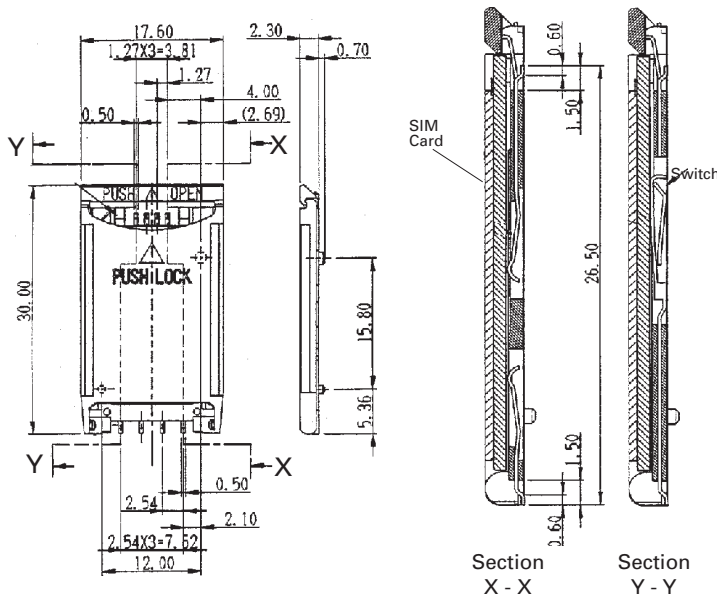
Housing:	Insulator/Cover - LCP, glass filled (UL94V-0)
	Button - PPS, glass filled (UL94V-0)
Contact Plating:	Mating Face - Gold over Nickel (Au 0.3μ min.)
	Solder Tails - SnPb over Nickel

Features

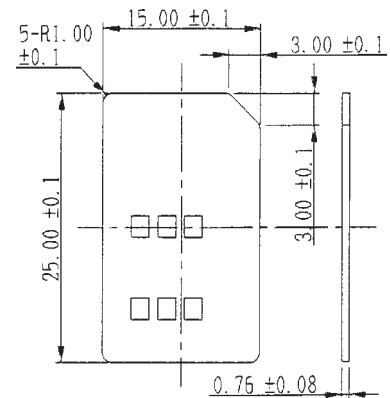
- With switch contacts
- One touch locking lid, which requires only one push for locking or release
- Downsizing and low profile (height 2.3mm)
- Light weight plastic cover to accommodate the card
- Available in tape & reel packaging for automatic pick and place assembly (1100 pcs./reel)
- Conforms to GSM11.11 standard



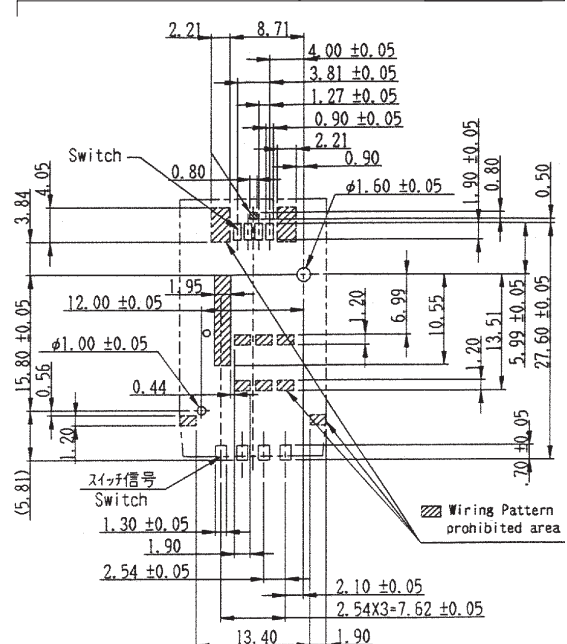
Outline Connector Dimensions



Applicable Card Dimensions



Recommended PCB Layout



Cover Operation

