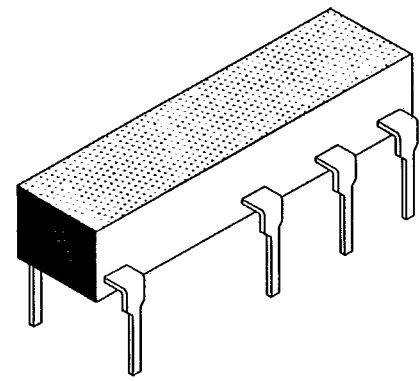




AMB-SERIES

T-47-13

16 PIN, 5 TAP, TTL ACTIVES

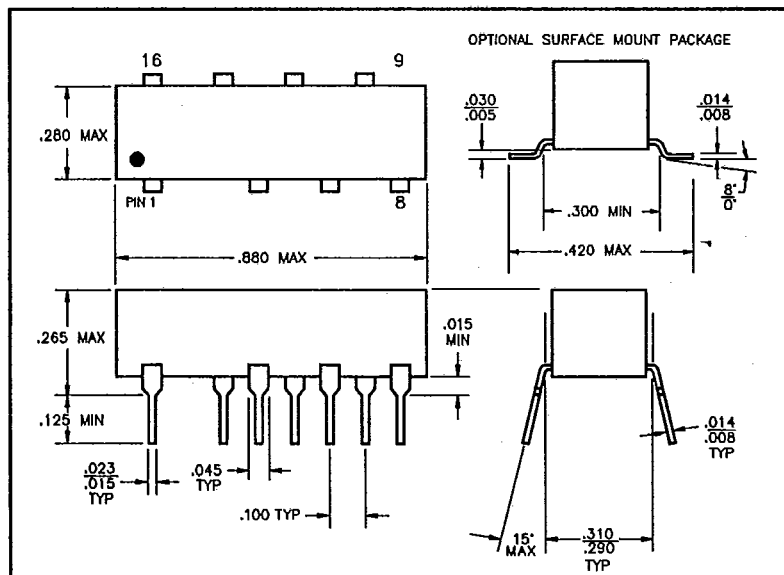
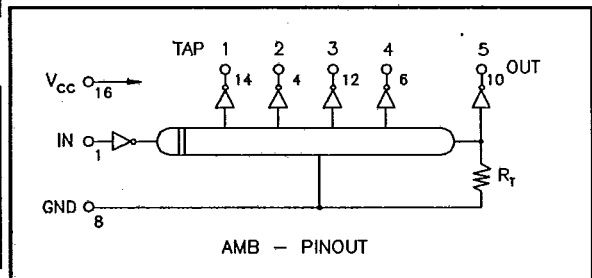


DC Electrical Characteristics		Test Conditions	Min	Max	Unit
Parameter					
VOH	High-Level Output Voltage	VCC=min. V _L =max. I _{OH} =max	2.7		V
VOL	Low-Level Output Voltage	VCC=min. V _{IH} =min. I _{OL} =max		0.5	V
V _{IK}	Input Clamp Voltage	VCC=min. I _I =I _{IK}		-1.2	V
I _{IK}	High-Level Input Current	VCC=max. V _{IN} =2.7V		50	uA
I _{IL}	Low-Level Input Current	VCC=max. V _{IN} =5.25V		1.0	mA
I _{OS}	Short Circuit Output Current	VCC=max. V _{IN} =0.5V	-40	-100	mA
ICCH	High-Level Supply Current	VCC=max. V _{IN} =OPEN		75	mA
ICCL	Low-Level Supply Current	VCC=max. V _{IN} =0		75	mA
TRO	Output Rise Time	T _d ≤ 500ns(0.75 to 2.4 Volts)		4	ns
NH	Fanout High-Level Output	T _d 500ns		5	ns
NL	Fanout Low-Level Output	VCC=max. V _{OH} =2.7V		20 TTL LOAD	
		VCC=max. V _{OH} =0.5V		10 TTL LOAD	

Recommended Operating Conditions		Min	Max	Unit
VCC	Supply Voltage	4.75	5.25	V
V _{IH}	High-level Input voltage	2.0		V
V _{IL}	Low-level Input Voltage		0.8	V
I _{IK}	Input Clamp Current		-18	mA
I _{OH}	High-Level Output Current		-1.0	mA
I _{OL}	Low-Level Output Current		20	mA
PW*	Pulse Width of Total Delay	20		%
d*	Duty Cycle		40	%
TA	Operating Free-Air Temperature	0	+70	°C

* These two values are inter-dependent.

Input Pulse Test Condition @ 25°C			Unit
EIN	Pulse Input Voltage	3.2	Volts
PW	Pulse Width % of Total Delay	110	%
TRI	Pulse Rise Time(0.75 - 2.4 Volts)	2.0	ns
PRR	Pulse Repetition Rate @ T _d ≤ 500ns	1.0	MHz
	Pulse Repetition Rate @ T _d > 500 ns	500	KHz
VCC	Supply Voltage	5.0	Volts



TOTAL DELAY ns ± 5%	TAP DELAYS ± 2 ns OR 5%	POLARA P/N AMB - PINOUT
25	5	AMB-0025
30	6	AMB-0030
40	8	AMB-0040
50	10	AMB-0050
60	12	AMB-0060
75	15	AMB-0075
100	20	AMB-0100
125	25	AMB-0125
150	30	AMB-0150
175	35	AMB-0175
200	40	AMB-0200
225	45	AMB-0225
250	50	AMB-0250
300	60	AMB-0300
350	70	AMB-0350
400	80	AMB-0400
450	90	AMB-0450
500	100	AMB-0500
600	120	AMB-0600
700	140	AMB-0700
800	160	AMB-0800
900	180	AMB-0900
1000	200	AMB-1000

ADD "-S" SUFFIX TO P/N, TO ORDER SURFACE MOUNT PACKAGE.

DELAYS TIMES REFERENCED FROM INPUT.