

# High frequency rectifier schottky barrier diode

## RB160L-60

### ●Applications

High frequency rectification  
For switching power supply.

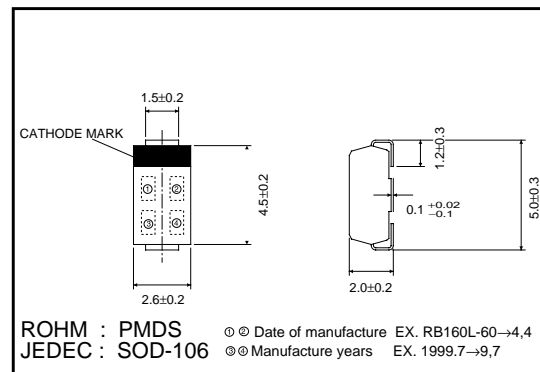
### ●Features

- 1) Small surface mounting type (PMDS)
- 2) High reliability
- 3) Low forward voltage (0.55V Typ. @ 1A)

### ●Construction

Silicon epitaxial Planar

### ●External dimensions (Units : mm)



### ●Absolute maximum ratings (Ta = 25°C)

Parameter	Symbol	Limits	Unit
Peak reverse voltage	$V_{RM}$	60	V
DC reverse voltage	$V_R$	60	V
Mean rectifying current *	$I_o$	1	A
Peak forward surge current	$I_{FSM}$	30	A
Junction temperature	$T_j$	125	°C
Storage temperature	$T_{stg}$	-40 ~ +125	°C

\* When mounted on a PCBs board

### ●Electrical characteristics (Ta = 25°C)

Parameter	Symbol	Min.	Typ.	Max.	Unit	Conditions
Forward voltage	$V_F$	–	0.55	0.58	V	$I_F = 1.0A$
Reverse current	$I_R$	–	0.0035	0.5	mA	$V_R = 60V$

Diodes

●Electrical characteristic curves (Ta = 25°C unless specified otherwise)

