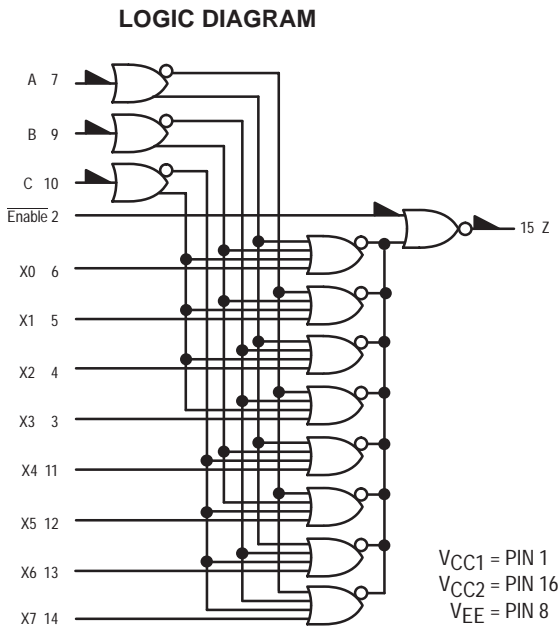


# MC10164

## 8-Line Multiplexer

The MC10164 is a high speed, low power eight-channel data selector which routes data present at one-of-eight inputs to the output. The data is routed according to the three bit code present on the address inputs. An enable input is provided for easy bit expansion.

- $P_D = 310 \text{ mW typ/pkg (No Load)}$
- $t_{pd} = 3.0 \text{ ns typ (Data to Output)}$
- $t_r, t_f = 2.0 \text{ ns typ (20\%–80\%)}$



**TRUTH TABLE**

ENABLE	ADDRESS INPUTS			Z
	C	B	A	
L	L	L	L	X0
L	L	L	H	X1
L	L	H	L	X2
L	L	H	H	X3
L	H	L	L	X4
L	H	L	H	X5
L	H	H	L	X6
L	H	H	H	X7
H	X	X	X	L



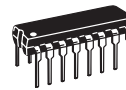
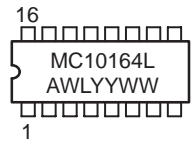
**ON Semiconductor**

<http://onsemi.com>

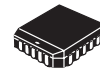
**MARKING DIAGRAMS**



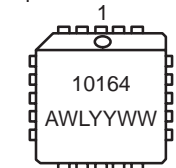
**CDIP-16**  
**L SUFFIX**  
**CASE 620**



**PDIP-16**  
**P SUFFIX**  
**CASE 648**

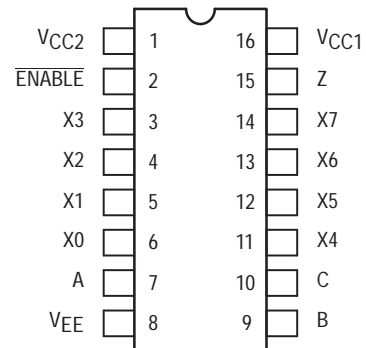


**PLCC-20**  
**FN SUFFIX**  
**CASE 775**



A = Assembly Location  
 WL = Wafer Lot  
 YY = Year  
 WW = Work Week

**DIP PIN ASSIGNMENT**



Pin assignment is for Dual-in-Line Package.  
 For PLCC pin assignment, see the Pin Conversion Tables on page 18 of the ON Semiconductor MECL Data Book (DL122/D).

**ORDERING INFORMATION**

Device	Package	Shipping
MC10164L	CDIP-16	25 Units / Rail
MC10164P	PDIP-16	25 Units / Rail
MC10164FN	PLCC-20	46 Units / Rail

# MC10164

## ELECTRICAL CHARACTERISTICS

Characteristic	Symbol	Pin Under Test	Test Limits						Unit	
			-30°C		+25°C		+85°C			
			Min	Max	Min	Typ	Max	Min		Max
Power Supply Drain Current	I <sub>E</sub>	8		83		60	75		83	mAdc
Input Current	I <sub>inH</sub>	2		425			265		265	μAdc
	I <sub>inL</sub>	4	0.5		0.5			0.3		μAdc
Output Voltage Logic 1	V <sub>OH</sub>	15	-1.060	-0.890	-0.960		-0.810	-0.890	-0.700	Vdc
Output Voltage Logic 0	V <sub>OL</sub>	15	-1.890	-1.675	-1.850		-1.650	-1.825	-1.615	Vdc
Threshold Voltage Logic 1	V <sub>OHA</sub>	15	-1.080		-0.980			-0.910		Vdc
Threshold Voltage Logic 0	V <sub>OLA</sub>	15		-1.655			-1.630		-1.595	Vdc
Switching Times (50Ω Load)										ns
Propagation Delay	t <sub>4+15+</sub>	15	1.5	4.9	1.5	3.0	4.7	1.6	5.0	
	t <sub>4-15-</sub>	15	1.5	4.9	1.5	3.0	4.7	1.6	5.0	
	t <sub>7+15+</sub>	15	1.9	6.5	2.0	4.0	6.2	2.2	6.7	
	t <sub>7-15-</sub>	15	1.9	6.5	2.0	4.0	6.2	2.2	6.7	
	t <sub>2+15-</sub>	15	0.9	3.5	1.0	2.0	3.1	1.0	3.3	
	t <sub>2-15+</sub>	15	0.9	3.5	1.0	2.0	3.1	1.0	3.3	
Rise Time (20 to 80%)	t <sub>+</sub>	15	0.9	3.3	1.1	2.0	3.3	1.2	3.6	
Fall Time (20 to 80%)	t <sub>-</sub>	15	0.9	3.3	1.1	2.0	3.3	1.2	3.6	

## ELECTRICAL CHARACTERISTICS (continued)

			TEST VOLTAGE VALUES (Volts)					(V <sub>CC</sub> ) Gnd
			V <sub>IHmax</sub>	V <sub>ILmin</sub>	V <sub>IHAmin</sub>	V <sub>ILAmax</sub>	V <sub>EE</sub>	
@ Test Temperature								
-30°C			-0.890	-1.890	-1.205	-1.500	-5.2	
+25°C			-0.810	-1.850	-1.105	-1.475	-5.2	
+85°C			-0.700	-1.825	-1.035	-1.440	-5.2	
Characteristic	Symbol	Pin Under Test	TEST VOLTAGE APPLIED TO PINS LISTED BELOW					
			V <sub>IHmax</sub>	V <sub>ILmin</sub>	V <sub>IHAmin</sub>	V <sub>ILAmax</sub>	V <sub>EE</sub>	
Power Supply Drain Current	I <sub>E</sub>	8					8	1,16
Input Current	I <sub>inH</sub>	2	4				8	1,16
	I <sub>inL</sub>	4		4			8	1,16
Output Voltage Logic 1	V <sub>OH</sub>	15	4,9				8	1,16
Output Voltage Logic 0	V <sub>OL</sub>	15	9				8	1,16
Threshold Voltage Logic 1	V <sub>OHA</sub>	15	4,9			2	8	1,16
Threshold Voltage Logic 0	V <sub>OLA</sub>	15	9			2	8	1,16
Switching Times (50Ω Load)			+1.11V		Pulse In	Pulse Out	-3.2 V	+2.0 V
Propagation Delay	t <sub>4+15+</sub>	15	9		4	15	8	1,16
	t <sub>4-15-</sub>	15	9		4	15	8	1,16
	t <sub>7+15+</sub>	15	5		7	15	8	1,16
	t <sub>7-15-</sub>	15	5		7	15	8	1,16
	t <sub>2+15-</sub>	15	7,5		2	15	8	1,16
	t <sub>2-15+</sub>	15	7,5		2	15	8	1,16
Rise Time (20 to 80%)	t <sub>+</sub>	15	9		4	15	8	1,16
Fall Time (20 to 80%)	t <sub>-</sub>	15	9		4	15	8	1,16

Each MECL 10,000 series circuit has been designed to meet the dc specifications shown in the test table, after thermal equilibrium has been established. The circuit is in a test socket or mounted on a printed circuit board and transverse air flow greater than 500 linear fpm is maintained. Outputs are terminated through a 50-ohm resistor to -2.0 volts. Test procedures are shown for only one gate. The other gates are tested in the same manner.

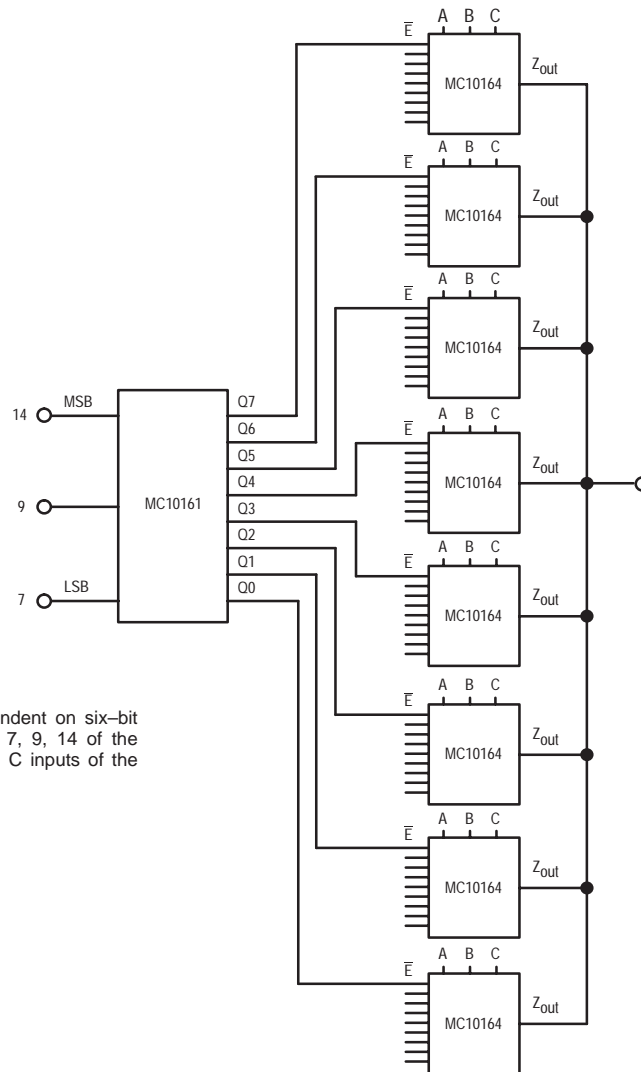
# MC10164

## APPLICATION INFORMATION

The MC10164 can be used wherever data multiplexing or parallel to serial conversion is desirable. Full parallel gating permits equal delays through any data path. The output of the MC10164 incorporates a buffer gate with eight data inputs and an enable. A high level on the enable forces the output low. The MC10164 can be connected directly to a data bus, due to its open emitter output and output enable.

Figure 1 illustrates how a 1-of-64 line multiplexer can be built with eight MC10164's wire ORed at their outputs and one MC10161 to drive the enables on each multiplexer, without speed degradation over a single MC10164 being experienced.

FIGURE 1 — 1-OF-64 LINE MULTIPLEXER



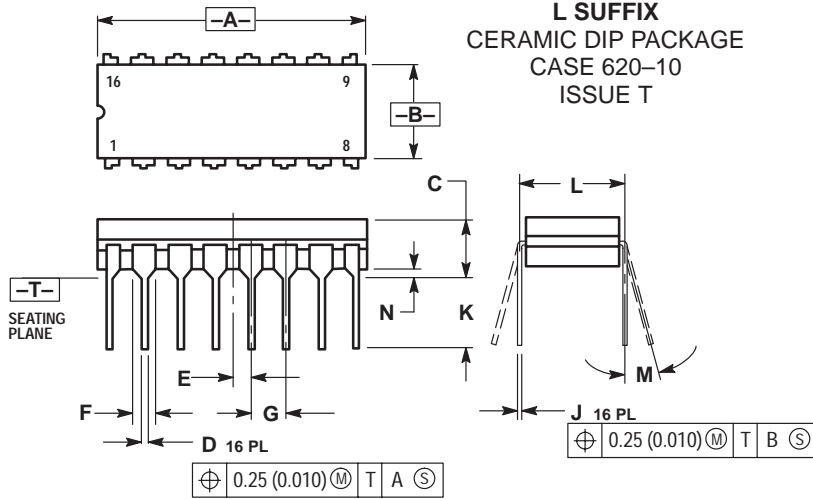
The Bit chosen is dependent on six-bit code present on inputs 7, 9, 14 of the MC10161 and the A, B, C inputs of the MC10164.



# MC10164

## PACKAGE DIMENSIONS

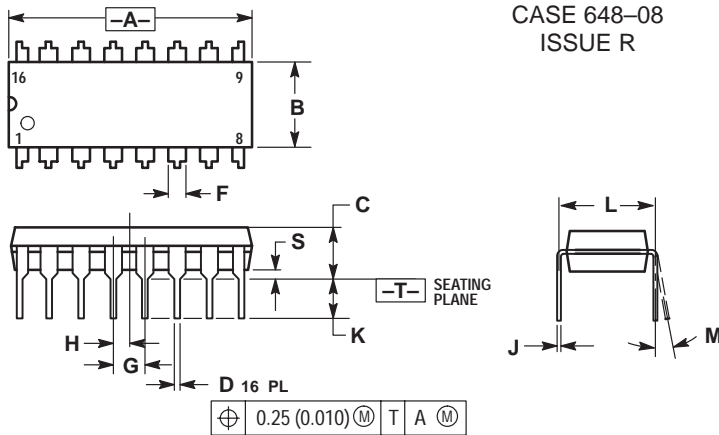
### CDIP-16 L SUFFIX CERAMIC DIP PACKAGE CASE 620-10 ISSUE T



- NOTES:
1. DIMENSIONING AND TOLERANCING PER ANSI Y14.5M, 1982.
  2. CONTROLLING DIMENSION: INCH.
  3. DIMENSION L TO CENTER OF LEAD WHEN FORMED PARALLEL.
  4. DIMENSION F MAY NARROW TO 0.76 (0.030) WHERE THE LEAD ENTERS THE CERAMIC BODY.

DIM	INCHES		MILLIMETERS	
	MIN	MAX	MIN	MAX
A	0.750	0.785	19.05	19.93
B	0.240	0.295	6.10	7.49
C	---	0.200	---	5.08
D	0.015	0.020	0.39	0.50
E	0.050 BSC		1.27 BSC	
F	0.055	0.065	1.40	1.65
G	0.100 BSC		2.54 BSC	
H	0.008	0.015	0.21	0.38
K	0.125	0.170	3.18	4.31
L	0.300 BSC		7.62 BSC	
M	0°	15°	0°	15°
N	0.020	0.040	0.51	1.01

### PDIP-16 P SUFFIX PLASTIC DIP PACKAGE CASE 648-08 ISSUE R




- NOTES:
1. DIMENSIONING AND TOLERANCING PER ANSI Y14.5M, 1982.
  2. CONTROLLING DIMENSION: INCH.
  3. DIMENSION L TO CENTER OF LEADS WHEN FORMED PARALLEL.
  4. DIMENSION B DOES NOT INCLUDE MOLD FLASH.
  5. ROUNDED CORNERS OPTIONAL.

DIM	INCHES		MILLIMETERS	
	MIN	MAX	MIN	MAX
A	0.740	0.770	18.80	19.55
B	0.250	0.270	6.35	6.85
C	0.145	0.175	3.69	4.44
D	0.015	0.021	0.39	0.53
F	0.040	0.70	1.02	1.77
G	0.100 BSC		2.54 BSC	
H	0.050 BSC		1.27 BSC	
J	0.008	0.015	0.21	0.38
K	0.110	0.130	2.80	3.30
L	0.295	0.305	7.50	7.74
M	0°	10°	0°	10°
S	0.020	0.040	0.51	1.01

**Notes**

**Notes**

**ON Semiconductor** and  are trademarks of Semiconductor Components Industries, LLC (SCILLC). SCILLC reserves the right to make changes without further notice to any products herein. SCILLC makes no warranty, representation or guarantee regarding the suitability of its products for any particular purpose, nor does SCILLC assume any liability arising out of the application or use of any product or circuit, and specifically disclaims any and all liability, including without limitation special, consequential or incidental damages. "Typical" parameters which may be provided in SCILLC data sheets and/or specifications can and do vary in different applications and actual performance may vary over time. All operating parameters, including "Typicals" must be validated for each customer application by customer's technical experts. SCILLC does not convey any license under its patent rights nor the rights of others. SCILLC products are not designed, intended, or authorized for use as components in systems intended for surgical implant into the body, or other applications intended to support or sustain life, or for any other application in which the failure of the SCILLC product could create a situation where personal injury or death may occur. Should Buyer purchase or use SCILLC products for any such unintended or unauthorized application, Buyer shall indemnify and hold SCILLC and its officers, employees, subsidiaries, affiliates, and distributors harmless against all claims, costs, damages, and expenses, and reasonable attorney fees arising out of, directly or indirectly, any claim of personal injury or death associated with such unintended or unauthorized use, even if such claim alleges that SCILLC was negligent regarding the design or manufacture of the part. SCILLC is an Equal Opportunity/Affirmative Action Employer.

## PUBLICATION ORDERING INFORMATION

### North America Literature Fulfillment:

Literature Distribution Center for ON Semiconductor  
P.O. Box 5163, Denver, Colorado 80217 USA  
**Phone:** 303-675-2175 or 800-344-3860 Toll Free USA/Canada  
**Fax:** 303-675-2176 or 800-344-3867 Toll Free USA/Canada  
**Email:** ONlit@hibbertco.com

**N. American Technical Support:** 800-282-9855 Toll Free USA/Canada

**EUROPE:** LDC for ON Semiconductor – European Support

**German Phone:** (+1) 303-308-7140 (M-F 2:30pm to 5:00pm Munich Time)

**Email:** ONlit-german@hibbertco.com

**French Phone:** (+1) 303-308-7141 (M-F 2:30pm to 5:00pm Toulouse Time)

**Email:** ONlit-french@hibbertco.com

**English Phone:** (+1) 303-308-7142 (M-F 1:30pm to 5:00pm UK Time)

**Email:** ONlit@hibbertco.com

**ASIA/PACIFIC:** LDC for ON Semiconductor – Asia Support

**Phone:** 303-675-2121 (Tue-Fri 9:00am to 1:00pm, Hong Kong Time)  
Toll Free from Hong Kong 800-4422-3781

**Email:** ONlit-asia@hibbertco.com

**JAPAN:** ON Semiconductor, Japan Customer Focus Center  
4-32-1 Nishi-Gotanda, Shinagawa-ku, Tokyo, Japan 141-8549

**Phone:** 81-3-5740-2745

**Email:** r14525@onsemi.com

**Fax Response Line:** 303-675-2167

800-344-3810 Toll Free USA/Canada

**ON Semiconductor Website:** <http://onsemi.com>

For additional information, please contact your local  
Sales Representative.