

This document was generated on 04/13/2010

PLEASE CHECK WWW.MOLEX.COM FOR LATEST PART INFORMATION

Part Number: **0190360003**
Status: **Active**
Description: Avikrimp™ Snap Plug, for 18-22 AWG Wire, Box, 22.78mm (.897") Length

Documents:

[Drawing \(PDF\)](#) [RoHS Certificate of Compliance \(PDF\)](#)

Agency Certification

CSA LR18689
 UL E152602

General

Product Family Quick Disconnects
 Series 19036
 Comments Extruded Nylon Insulation
 Crimp Quality Equipment Yes
 Product Name Avikrimp™
 Type Snap Plug

Physical

Barrel Type Closed
 Flammability 94V-2
 Gender Male
 Glow-Wire Compliant No
 Insulation Nylon (PA)
 Lock to Mating Part None
 Material - Metal Copper
 Orientation Straight
 Packaging Type Bag
 Tab Thickness N/A
 Tab Width N/A
 Wire Insulation Diameter 3.60mm (.142") max.
 Wire Size AWG 18, 20, 22
 Wire Size mm² 0.35 - 0.80

Electrical

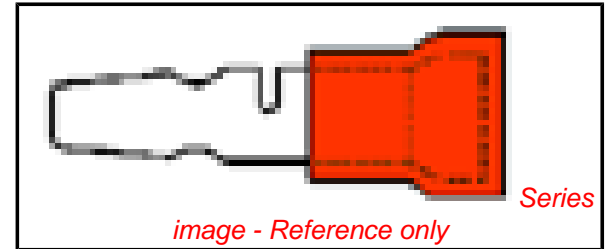
Voltage - Maximum N/A

Material Info

Old Part Number A-869

Reference - Drawing Numbers

Sales Drawing SD-19036-001



EU RoHS
ELV and RoHS
Compliant
REACH SVHC
 Not Reviewed
Halogen-Free
Status
Not Reviewed

China RoHS



Need more information on product environmental compliance?

Email productcompliance@molex.com
 For a multiple part number RoHS Certificate of Compliance, [click here](#)

Please visit the [Contact Us](#) section for any non-product compliance questions.

Search Parts in this Series
19036Series

Application Tooling | FAQ

Tooling specifications and manuals are found by selecting the products below. Crimp Height Specifications are then contained in the Application Tooling Specification document.

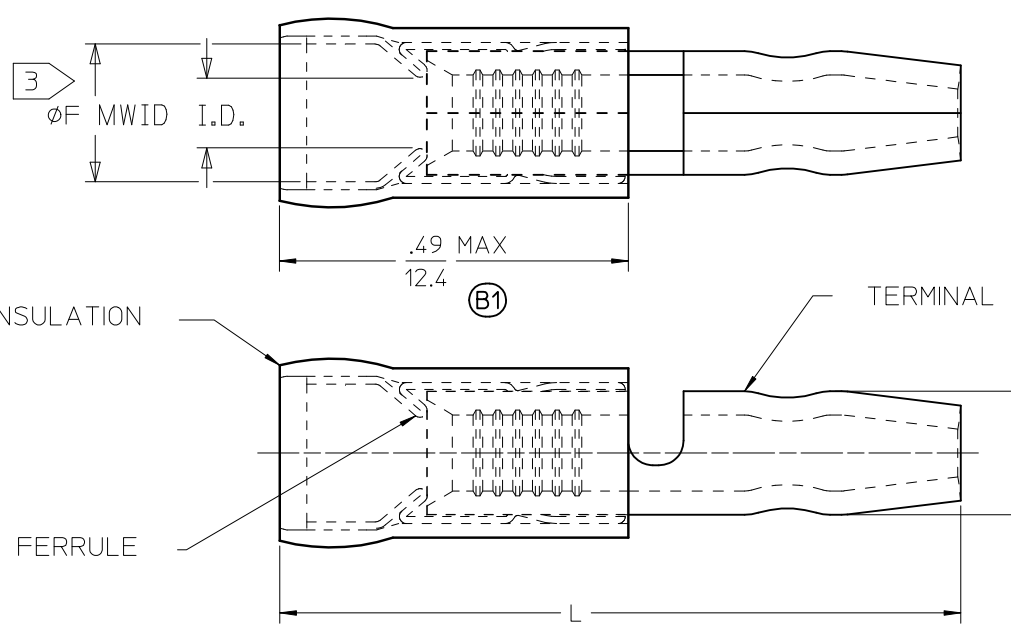
Global

Description	Product #
Hand Crimp Tool	<u>0640010100</u>
Crimp Head for the AT-200™ Pneumatic Hand Tool	<u>0640050100</u>

This document was generated on 04/13/2010

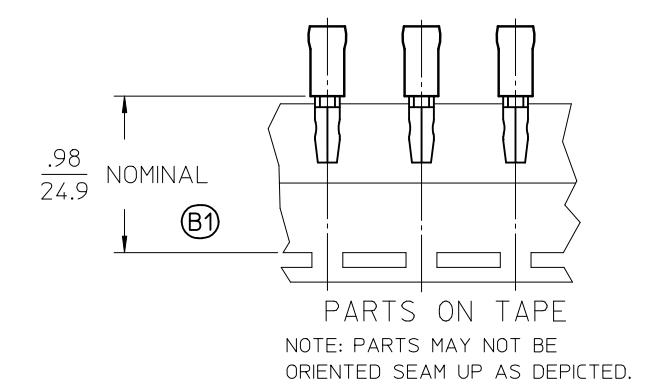
PLEASE CHECK WWW.MOLEX.COM FOR LATEST PART INFORMATION

MATERIAL NUMBER LOOSE PCS	ENGINEERING NUMBER LOOSE PCS	MATERIAL NUMBER ON TAPE	ENGINEERING NUMBER ON TAPE	MATERIAL NUMBER ON BIG REEL	ENGINEERING NUMBER ON BIG REEL	WIRE RANGE AWG	INSULATION COLOR	I.D. MIN	ϕF MWID	ϕD (B1)	L MAX	(B1)
190360001	A-859	190360002	A-859T			22-18	RED	.056/1.42	.140/3.56	.180/4.57	.98/24.9	
190360003	A-869	190360005	A-869T	190360004	A-869BT	22-18	RED	.056/1.42	.140/3.56	.156/3.96	.93/23.6	
190360006	B-879	190360007	B-879T			16-14	BLUE	.082/2.08	.170/4.32	.180/4.57	.98/24.9	
190360008	B-889	190360009	B-889T			16-14	BLUE	.082/2.08	.170/4.32	.156/3.96	.93/23.6	



(B1)

(B1)



NOTES:
 1. MATERIAL: TERMINAL: COPPER .031 REF/(0.79) REF THK.
 FINISH: ELECTRO-TIN PLATING.
 FERRULE: COPPER ALLOY
 FINISH: ELECTRO-TIN PLATING
 INSULATION: NYLON 94V2
 COLOR SEE CHART

SALES DRAWING

www.DataSheet4U.com

- 2. > FOR WIRE RANGE SEE CHART.
- 3. > MAX WIRE INSULATION DIAMETER.
- 4. PARTS ARE ROHS COMPLIANT.

CORRECT TOLERANCES EC NO: WNA2010-0326 DRW:ETHRODAHL 2009/11/16 CHKD: JMACNEIL 2009/11/17 APPR: JMACNEIL 2009/11/23 REV B1	QUALITY SYMBOLS	GENERAL TOLERANCES (UNLESS SPECIFIED)	DIMENSION STYLE	SCALE	DESIGN UNITS	THIRD ANGLE PROJECTION																		
	$\blacktriangledown = 0$ $\blacktriangledown = 0$	<table border="1"> <thead> <tr> <th></th> <th>mm</th> <th>INCH</th> </tr> </thead> <tbody> <tr> <td>4 PLACES</td> <td>±---</td> <td>±---</td> </tr> <tr> <td>3 PLACES</td> <td>±---</td> <td>±.005</td> </tr> <tr> <td>2 PLACES</td> <td>±0.13</td> <td>±.01</td> </tr> <tr> <td>1 PLACE</td> <td>±0.25</td> <td>±---</td> </tr> <tr> <td colspan="3">ANGULAR ±---°</td> </tr> </tbody> </table>		mm	INCH	4 PLACES	±---	±---	3 PLACES	±---	±.005	2 PLACES	±0.13	±.01	1 PLACE	±0.25	±---	ANGULAR ±---°			IN/MM	---	INCH	
		mm	INCH																					
	4 PLACES	±---	±---																					
3 PLACES	±---	±.005																						
2 PLACES	±0.13	±.01																						
1 PLACE	±0.25	±---																						
ANGULAR ±---°																								
DESCRIPTION	DRAWN BY	DATE	TITLE																					
	BENDERLE	2005/04/04	AVIKRIMP MALE BULLET SNAP PLUG EXTRUDED HOUSING																					
	CHECKED BY	DATE	MOLEX INCORPORATED																					
	R DEROSS	2005/04/04	MATERIAL NO. SEE CHART																					
	APPROVED BY	DATE	DOCUMENT NO. SD-19036-001																					
	R DEROSS	2005/04/04	SHEET NO. 1 OF 1																					
	SIZE B		THIS DRAWING CONTAINS INFORMATION THAT IS PROPRIETARY TO MOLEX INCORPORATED AND SHOULD NOT BE USED WITHOUT WRITTEN PERMISSION																					