

■ OUTLINE

The R1230D Series are PWM step-down DC/DC Converters with synchronous rectifier, low supply current by CMOS process.

Each of these ICs consists of an oscillator, a PWM control circuit, a reference voltage unit, an error amplifier, a soft-start circuit, protection circuits, a protection against miss operation under low voltage (UVLO), PWM/VFM alternative circuit, a chip enable circuit, and a driver transistor. A low ripple, high efficiency step-down DC/DC converter can be easily composed of this IC with only a few kinds of external components, or an inductor and capacitors. (As for R1230D001C/D types, divider resistors are also necessary.) In terms of Output Voltage, it is fixed internally in the R1230DXX1A/B types. While in the R1230D001C/D types, Output Voltage is adjustable with external divider resistors.

PWM/VFM alternative circuit is active with Mode Pin of the R1230D Series. Thus, when the load current is small, the operation can be switching into the VFM operation from PWM operation by the logic of MODE pin and the efficiency at small load current can be improved. As protection circuits, Current Limit circuit which limits peak current of Lx at each clock cycle, and Latch type protection circuit which works if the term of Over-current condition keeps on a certain time in PWM mode exist. Latch-type protection circuit works to latch an internal driver with keeping it disable. To release the condition of protection, after disable this IC with a chip enable circuit, enable it again, or restart this IC with power-on or make the supply voltage at UVLO detector threshold level or lower than UVLO.

■ FEATURES

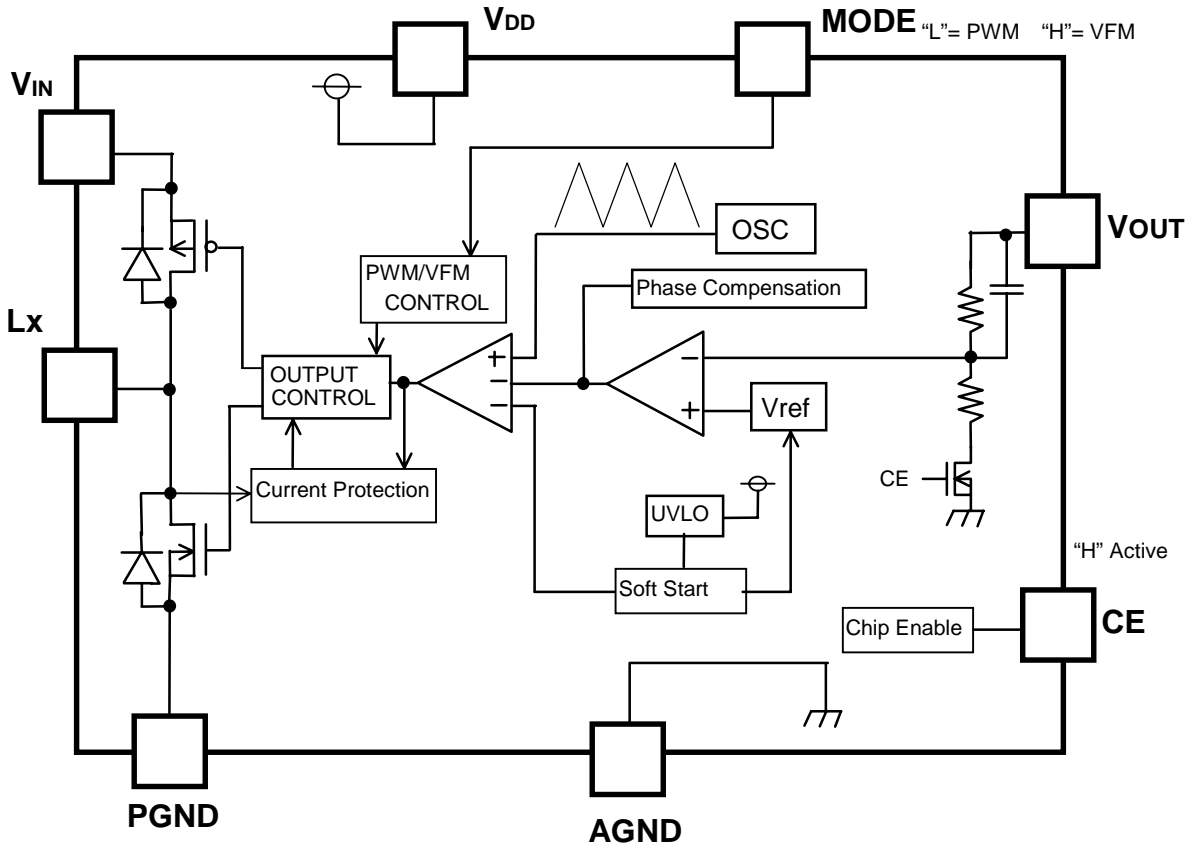
- Built-in Driver ON Resistance ●●●●●●●●●● P-channel 0.35Ω, N-channel 0.45Ω (at VIN=5V)
- Built-in Soft-start Function (TYP. 1.5ms), and Latch-type Protection Function (Delay Time; TYP. 1.5ms)
- Two choices of Oscillator Frequency ●●●●● 500kHz, 800kHz
- PWM/VFM alternative with MODE pin ●●●●● PWM operation; MODE pin at "L",
VFM operation; MODE pin at "H"
- High Efficiency ●●●●●●●●●●●●●●●● TYP. 90%
- Output Voltage ●●●●●●●●●● Stepwise Setting with a step of 0.1V in the range of 1.2V ~ 3.3V (XX1A/B Type)
or adjustable in the range of 0.8V to VIN (001C/D Type)
- High Accuracy Output Voltage ●●●●●●●●●● ±2.0% (XX1A/B Type)
- Package ●●●●● SON8 (Max height 0.9mm, thin type)

■ APPLICATIONS

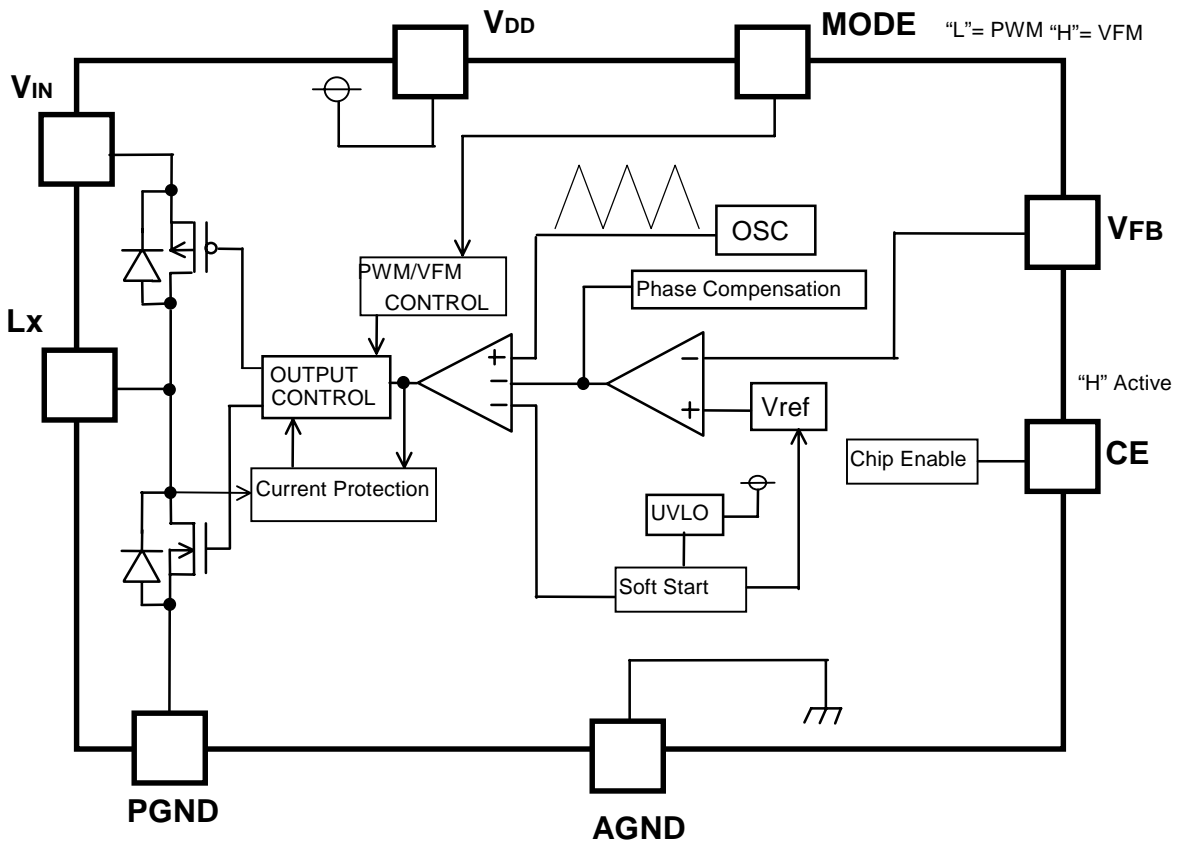
- Power source for portable equipment.

■ BLOCK DIAGRAM

●R1230DXX1A/B



●R1230D001C/D



SELECTION GUIDE

In the R1230D Series, the output voltage, the oscillator frequency, and the taping type for the ICs can be selected at the user's request.

The selection can be made by designating the part number as shown below;

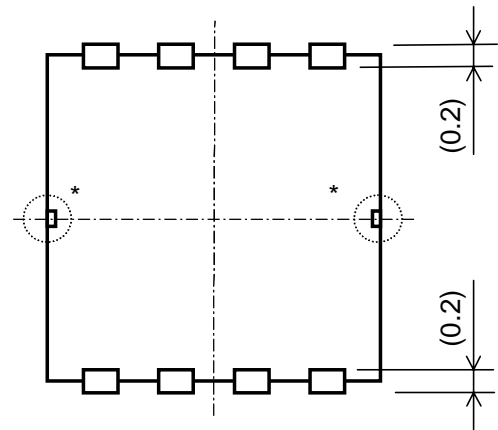
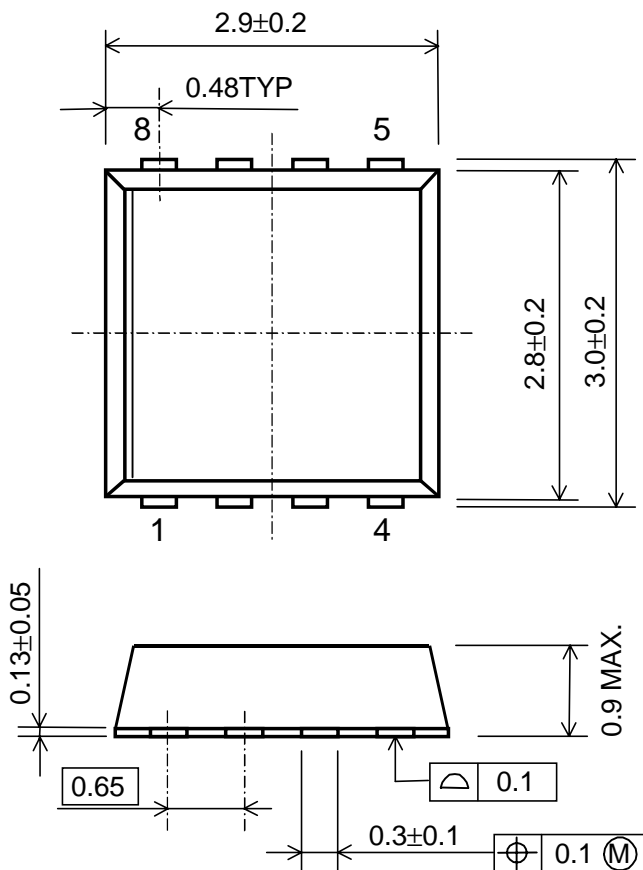
R1230DXXXX-XX


↑ ↑ ↑ ↑
a b c d

Code	Contents
a	Setting Output Voltage(V _{OUT}): Stepwise setting with a step of 0.1V in the range of 1.2V to 3.3V is possible for A/B version. "00" is for Output Voltage Adjustable C/D version
b	1 : fixed
c	Designation of Optional Function A : 500kHz, Fixed Output Voltage B : 800 kHz, Fixed Output Voltage C : 500kHz, Adjustable Output Voltage D : 800kHz, Adjustable Output Voltage
d	Designation of Taping Type; Ex. :TR,TL(refer to Taping Specification) "TR" is prescribed as a standard.

PIN CONFIGURATION

● SON-8



*Attention : Tab suspension leads in the  parts have GND level. (They are connected to the reverse side of this IC.) Do not connect to other wires or land patterns.

Unit : mm

■ PIN DESCRIPTION

Pin No.	Symbol	Description
1	V _{IN}	Voltage Supply Pin
2	PGND	Ground Pin
3	V _{DD}	Voltage Supply Pin
4	CE	Chip Enable Pin (active with "H")
5	V _{OUT} /V _{FB}	Output/Feedback Pin
6	MODE	Mode changer Pin (PWM mode at "L", VFM mode at "H".)
7	AGND	Ground Pin
8	Lx	Lx Pin

■ ABSOLUTE MAXIMUM RATINGS

(AGND=PGND=0V)

Symbol	Item	Rating	Unit
V _{IN}	V _{IN} Supply Voltage	6.5	V
V _{DD}	V _{DD} Pin Voltage	6.5	V
V _{LX}	Lx Pin Voltage	-0.3~V _{IN} +0.3	V
V _{CE}	CE Pin Input Voltage	-0.3~V _{IN} +0.3	V
V _{MODE}	MODE Pin Input Voltage	-0.3~V _{IN} +0.3	V
V _{FB}	V _{FB} Pin Input Voltage	-0.3~V _{IN} +0.3	V
I _{LX}	Lx Pin Output Current	-0.8	A
P _D	Power Dissipation	250	mW
T _{opt}	Operating Temperature Range	-40~+85	°C
T _{stg}	Storage Temperature Range	-55~+125	°C

ELECTRICAL CHARACTERISTICS

●R1230D**1A/B

(Topt=25°C)

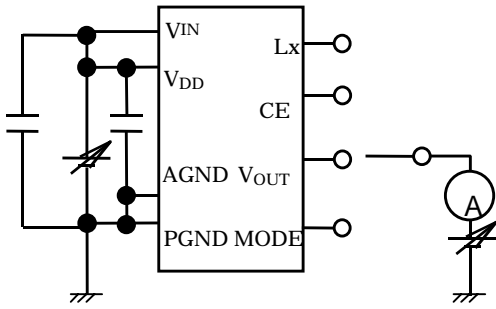
Symbol	Item	Conditions	MIN.	TYP.	MAX.	Unit
VIN	Operating Input Voltage		2.4		5.5	V
VOUT	Step-down Output Voltage	VIN=VCE=VSET+1.5V, VMODE=0V, IOUT=10mA	TYP.× 0.980	VSET	TYP.× 1.020	V
$\Delta V_{OUT}/\Delta T$	Step-down Output Voltage Temperature Coefficient	-40°C ≤ Topt ≤ 85°C		±150		ppm/°C
fosc	Oscillator Frequency(xx1A)	VIN=VCE=VSET+1.5V	425	500	575	kHz
fosc	Oscillator Frequency(xx1B)	VIN=VCE=VSET+1.5V	680	800	920	kHz
IDD	Supply Current(xx1A)	VIN=VCE=VSET+1.5V, VOUT=VMODE=0V		230	300	μA
IDD	Supply Current(xx1B)	VIN=VCE=VSET+1.5V, VOUT=VMODE=0V		250	350	μA
Istb	Standby Current	VIN=5.5V, VCE=VOUT=0V		0	5	μA
RONP	ON Resistance of Pch Transistor	VIN=5.0V	0.20	0.35	0.60	Ω
RONN	ON Resistance of Nch Transistor	VIN=5.0V	0.20	0.45	0.70	Ω
ILXleak	Lx Leakage Current	VIN=5.5V, VCE=0V, VLX=0V/5.5V	-0.1	0.0	0.1	μA
IVOUT	VOUT Leakage Current	VIN=5.5V, VCE=0V, VLX=0V/5.5V	-0.1	0.0	0.1	μA
ICE	CE Input Current	VIN=5.5V, VMODE=0V, VCE=5.5V/0V	-0.1	0.0	0.1	μA
VCEH	CE "H" Input Voltage	VIN=5.5V, VOUT=0V	1.5			V
VCEL	CE "L" Input Voltage	VIN=2.4V, VOUT=0V			0.3	V
Maxdty	Oscillator Maximum Duty Cycle	VMODE=0V	100			%
VLX	Lx Limit Voltage	VMODE= VOUT=0V, VIN=VCE=3.0V	VIN-0.15	VIN-0.35	VIN-0.55	V
Tstart	Delay Time by Soft-Start function	at no load, VIN=VCE=VSET+1.5V	0.5	1.5	2.5	ms
Tprot	Delay Time for protection circuit	VIN=VCE=VSET+1.5V, VMODE=0V	0.5	1.5	2.5	ms
VUVLO1	UVLO Threshold Voltage	VIN=VCE=2.5V->1.5V, VOUT=0V	1.8	2.1	2.2	V
VUVLO2	UVLO Released Voltage	VIN=VCE=1.5V->2.5V, VOUT=0V	1.9	2.2	2.3	V
IMODE	MODE Pin Input Current	VIN=5.5V, VCE=0V, VMODE=5.5V/0V	-0.1		0.1	μA
VMODEH	MODE "H" Input Voltage	VIN=VCE=5.5V, VOUT=0V	1.5			V
VMODEL	MODE "L" Input Voltage	VIN=VCE=2.4V, VOUT=0V			0.3	V
VFMdty	VFM Duty Cycle	VIN=VCE= VMODE=2.4V, VOUT=0V	55	65	85	%

●R1230D001C/D

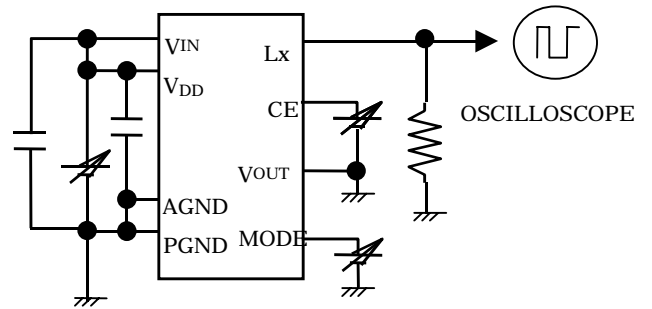
(T_{opt}=25°C)

Symbol	Item	Conditions	MIN.	TYP.	MAX.	Unit
V _{IN}	Operating Input Voltage		2.4		5.5	V
V _{FB}	Feedback Voltage	V _{IN} =V _{CE} =V _{SET} +1.5V, V _{MODE} =0V, I _{OUT} =10mA	0.776	0.800	0.824	V
ΔV _{FB} /ΔT	Feedback Voltage Temperature Coefficient	-40°C ≤ T _{opt} ≤ 85°C		±150		ppm/°C
f _{osc}	Oscillator Frequency(xx1C)	V _{IN} =V _{CE} =V _{SET} +1.5V	425	500	575	kHz
f _{osc}	Oscillator Frequency(xx1D)	V _{IN} =V _{CE} =V _{SET} +1.5V	680	800	920	kHz
I _{DD}	Supply Current(xx1C)	V _{IN} =V _{CE} =5.5V, V _{FB} =V _{MODE} =0V		230	300	μA
I _{DD}	Supply Current(xx1D)	V _{IN} =V _{CE} =5.5V, V _{FB} =V _{MODE} =0V		250	350	μA
I _{stb}	Standby Current	V _{IN} =5.5V, V _{CE} =V _{FB} =0V		0	5	μA
R _{ONP}	ON Resistance of Pch Transistor	V _{IN} =5.0V	0.20	0.35	0.60	Ω
R _{ONN}	ON Resistance of Nch Transistor	V _{IN} =5.0V	0.20	0.45	0.70	Ω
I _{Lxleak}	Lx Leakage Current	V _{IN} =5.5V, V _{CE} =0V, V _{LX} =0V/5.5V	-0.1	0.0	0.1	μA
I _{VFB}	V _{FB} Leakage Current	V _{IN} =5.5V, V _{CE} =0V, V _{FB} =0V/5.5V	-0.1	0.0	0.1	μA
I _{CE}	CE Input Current	V _{IN} =5.5V, V _{MODE} =0V, V _{CE} =5.5V/0V	-0.1	0.0	0.1	μA
V _{CEH}	CE "H" Input Voltage	V _{IN} =5.5V, V _{FB} =0V	1.5			V
V _{CEL}	CE "L" Input Voltage	V _{IN} =2.4V, V _{FB} =0V			0.3	V
Maxdty	Oscillator Maximum Duty Cycle	V _{MODE} =0V	100			%
V _{LX}	Lx Limit Voltage	V _{IN} =V _{CE} =3.0V, V _{MODE} =0V, V _{FB} =0V	V _{IN} -0.15	V _{IN} -0.35	V _{IN} -0.55	V
T _{start}	Delay Time by Soft-Start function	at no load, V _{IN} =V _{CE} =V _{SET} +1.5V	0.5	1.5	2.5	ms
T _{prot}	Delay Time for protection circuit	V _{IN} =V _{CE} =3.6V, V _{MODE} =0V		1.5		ms
V _{UVLO1}	UVLO Threshold Voltage	V _{IN} =V _{CE} =2.5V->1.5V, V _{FB} =0V	1.8	2.1	2.2	V
V _{UVLO2}	UVLO Released Voltage	V _{IN} =V _{CE} =1.5V->2.5V, V _{FB} =0V	1.9	2.2	2.3	V
I _{MODE}	MODE Pin Input Current	V _{IN} =5.5V, V _{MODE} =5.5V/0V, V _{CE} =0V	-0.1		0.1	μA
V _{MODE}	MODE "H" Input Voltage	V _{IN} =V _{CE} =5.5V, V _{FB} =0V	1.5			V
V _{MODEL}	MODE "L" Input Voltage	V _{IN} =V _{CE} =2.4V, V _{FB} =0V			0.3	V
V _{FMDty}	VFM Duty Cycle	V _{IN} =V _{CE} =V _{MODE} =2.4V, V _{FB} =0V	55	65	85	%

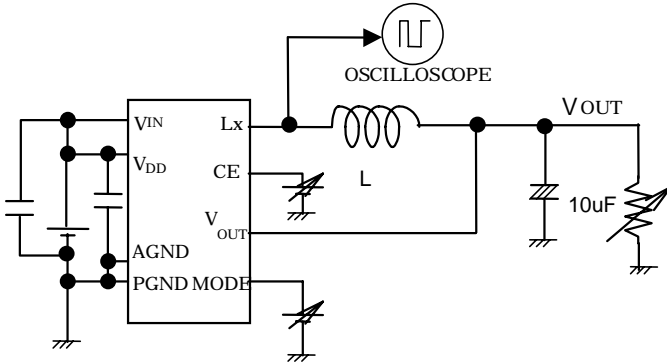
■ TEST CIRCUITS



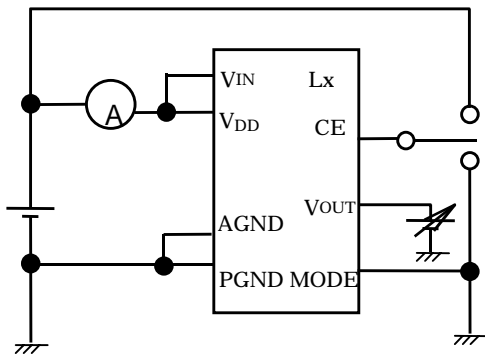
Test Circuit for Input Current and Leakage Current



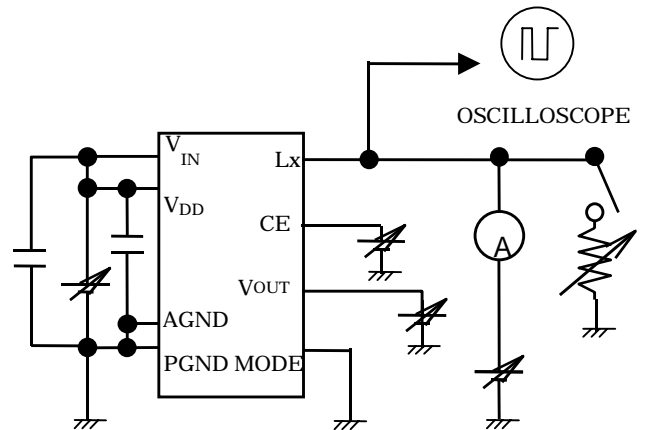
Test Circuit for Input Voltage and UVLO voltage



Test Circuit for Output Voltage, Oscillator Frequency, Soft-Starting Time



Test Circuit for Supply Current and Standby Current

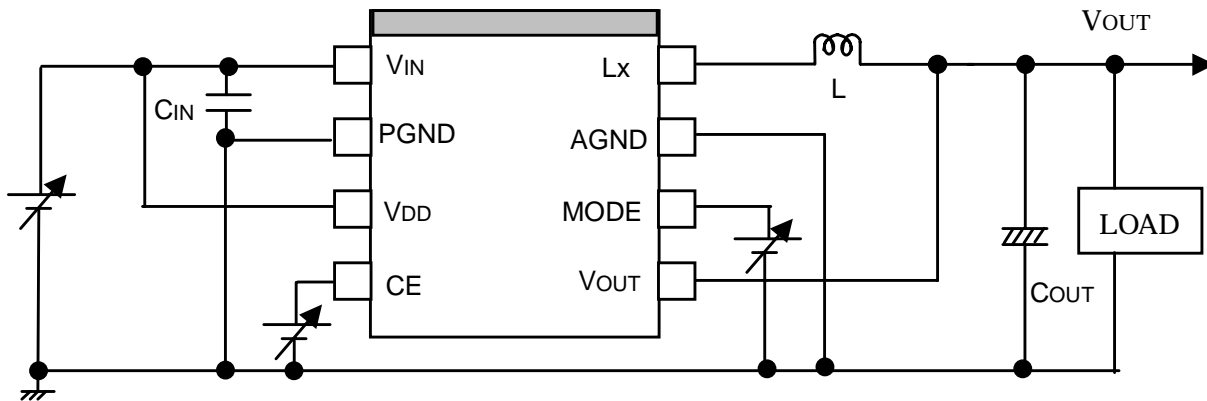


Test Circuit for ON resistance of Lx, Limit Voltage, Delay Time of Protection Circuit

The bypass capacitor between Power Supply and GND is Ceramic capacitor 10 μ F.

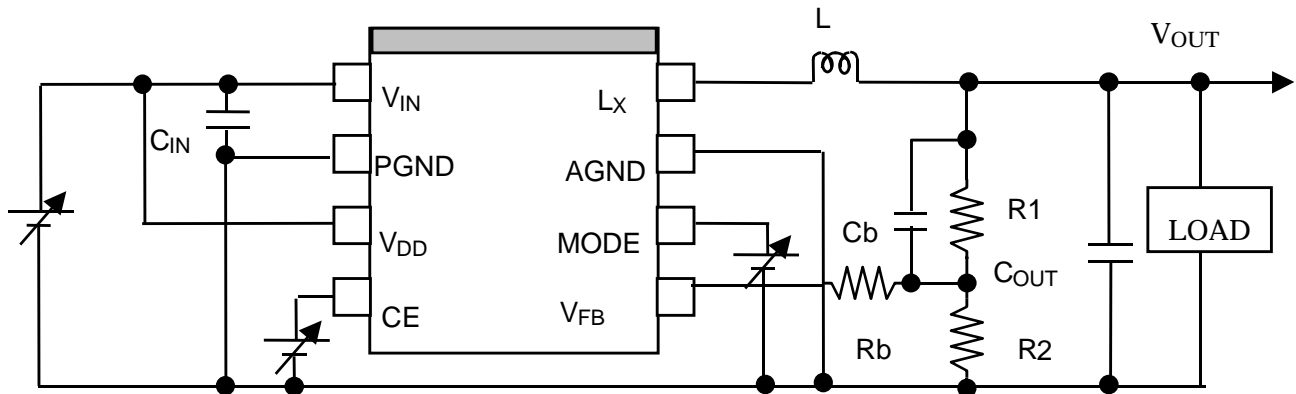
■ TYPICAL APPLICATION AND TECHNICAL NOTES

1) Fixed Output Voltage Type



L : 10 μ H LQH3C100K54 (Murata)
 COUT: 10 μ F ECSTOJX106R (Panasonic)
 CIN : 10 μ F C3216JB0J106M (TDK)

2) Adjustable Output Voltage Type



L : 10 μ H LQH3C100K54 (Murata)
 COUT: 10 μ F ECSTOJX106R (Panasonic)
 CIN : 10 μ F C3216JB0J106M (TDK)

As for how to choose Cb, Rb, R1, and R2 values, refer to the technical notes.

When you use these ICs, consider the following issues;

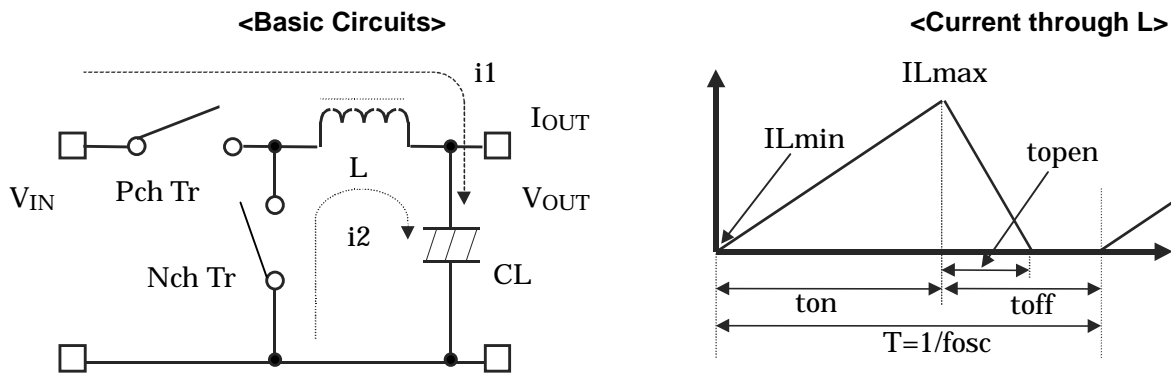
- Input same voltage into Power Supply pins, VIN and VDD. Set the same level as AGND and PGND.
- When you control the CE pin and MODE pin by another power supply, do not make its "H" level more than the voltage level of VIN / VDD pin.
- Set external components such as an inductor, CIN, COUT as close as possible to the IC, in particular, minimize the wiring to VIN pin and PGND pin.
- At stand by mode, (CE="L"), the Lx output is Hi-Z, or both P-channel transistor and N-channel transistor of Lx pin turn off.
- Use an external capacitor COUT with a capacity of 10 μ F or more, and with good high frequency characteristics such as tantalum capacitors.
- At VFM mode, (MODE="H"), Latch protection circuit does not operate.
- If the mode is switched over into PWM mode from VFM mode during the operation, change the mode at light load current. If the load current is large, output voltage may decline.

- Reinforce the VIN, PGND, and VOUT lines sufficiently. Large switching current may flow in these lines. If the impedance of VIN and PGND lines is too large, the internal voltage level in this IC may shift caused by the switching current, and the operation might be unstable.

☆ The performance of power source circuits using these ICs extremely depends upon the peripheral circuits. Pay attention in the selection of the peripheral circuits. In particular, design the peripheral circuits in a way that the values such as voltage, current, and power of each component, PCB patterns and the IC do not exceed their respected rated values.

■ OPERATION of step-down DC/DC converter and Output Current

The step-down DC/DC converter charges energy in the inductor when Lx transistor is ON, and discharges the energy from the inductor when Lx transistor is OFF and controls with less energy loss, so that a lower output voltage than the input voltage is obtained. The operation will be explained with reference to the following diagrams:



- Step 1: P-channel Tr. turns on and current IL (=i1) flows, and energy is charged into CL. At this moment, IL increases from ILmin(=0) to reach ILmax in proportion to the on-time period (ton) of P-channel Tr.
- Step 2: When P-channel Tr. turns off, Synchronous rectifier N-channel Tr. turns on in order that L maintains IL at ILmax, and current IL (=i2) flows.
- Step 3: IL (=i2) decreases gradually and reaches IL=ILmin=0 after a time period of topen, and N-channel Tr. turns off. Provided that in the continuous mode, next cycle starts before IL becomes to 0 because toff time is not enough. In this case, IL value increases from this ILmin(>0).

In the case of PWM control system, the output voltage is maintained by controlling the on-time period (ton), with the oscillator frequency (fosc) being maintained constant.

● Discontinuous Conduction Mode and Continuous Conduction Mode

The maximum value (ILmax) and the minimum value (ILmin) of the current flowing through the inductor are the same as those when P-channel Tr. turns on and off.

The difference between ILmax and ILmin, which is represented by ΔI ;

$$\Delta I = IL_{max} - IL_{min} = V_{OUT} \times t_{open} / L = (V_{IN} - V_{OUT}) \times t_{on} / L \dots \text{Equation 1}$$

Wherein $T = 1/f_{osc} = t_{on} + t_{off}$

$$\text{duty (\%)} = t_{on} / T \times 100 = t_{on} \times f_{osc} \times 100$$

$$t_{open} \leq t_{off}$$

In Equation 1, $V_{OUT} \times t_{open} / L$ and $(V_{IN} - V_{OUT}) \times t_{on} / L$ respectively show the change of the current at "ON", and the change of the current at "OFF".

When the output current (IOUT) is relatively small, $t_{open} < t_{off}$ as illustrated in the above diagram. In this case, the energy is charged in the inductor during the time period of ton and is discharged in its entirely during the time period of toff, therefore ILmin becomes to zero (ILmin=0). When Iout is gradually increased, eventually, topen becomes to toff (topen=toff), and when IOUT is further increased, ILmin becomes larger than zero (ILmin>0). The former mode is referred to as the discontinuous mode and the latter mode is referred to as continuous mode.

In the continuous mode, when Equation 1 is solved for ton and assumed that the solution is tonic,

$$t_{onc} = T \times V_{IN} / V_{OUT} \dots \text{Equation 2}$$

When $t_{on} < t_{onc}$, the mode is the discontinuous mode, and when $t_{on} = t_{onc}$, the mode is the continuous mode.

■ OUTPUT CURRENT AND SELECTION OF EXTERNAL COMPONENTS

When P-channel Tr. of Lx is ON:

(Wherein, Ripple Current P-P value is described as IRP, ON resistance of P-channel Tr. and N-channel Tr. of Lx are respectively described as Ronp and Ronn, and the DC resistor of the inductor is described as RL.)

$$V_{IN} = V_{OUT} + (R_{onp} + R_L) \times I_{OUT} + L \times I_{RP} / t_{on} \dots \text{Equation 3}$$

When P-channel Tr. of Lx is "OFF" (N-channel Tr. is "ON"):

$$L \times I_{RP} / t_{off} = R_L \times I_{OUT} + V_{OUT} + R_{onn} \times I_{OUT} \dots \text{Equation 4}$$

Put Equation 4 to Equation 3 and solve for ON duty of P-channel transistor, $t_{on} / (t_{off} + t_{on}) = D_{ON}$,

$$D_{ON} = (V_{OUT} - R_{onn} \times I_{OUT} + R_L \times I_{OUT}) / (V_{IN} + R_{onn} \times I_{OUT} - R_{onp} \times I_{OUT}) \dots \text{Equation 5}$$

Ripple Current is as follows;

$$I_{RP} = (V_{IN} - V_{OUT} - R_{onp} \times I_{OUT} - R_L \times I_{OUT}) \times D_{ON} / f_{osc} / L \dots \text{Equation 6}$$

wherein, peak current that flows through L, and Lx Tr. is as follows;

$$I_{Lmax} = I_{OUT} + I_{RP} / 2 \dots \text{Equation 7}$$

Consider ILmax, condition of input and output and select external components.

★The above explanation is directed to the calculation in an ideal case in continuous mode.

■ How to Adjust Output Voltage and about Phase Compensation

As for Adjustable Output type, feedback pin (VFB) voltage is controlled to maintain 0.8V. Output Voltage, VOUT is as following equation;

$$V_{OUT} : R_1 + R_2 = V_{FB} : R_2$$

$$V_{OUT} = V_{FB} \times (R_1 + R_2) / R_2$$

Thus, with changing the value of R1 and R2, output voltage can be set in the specified range.

In the DC/DC converter, with the load current and external components such as L and C, phase might be behind 180 degree. In this case, the phase margin of the system will be less and stability will be worse. To prevent this, phase margin should be secured with proceeding the phase. A pole is formed with external components L and COUT.

$$f_{pole} \sim 1 / 2\pi \sqrt{LC_{OUT}}$$

A zero (signal back to zero) is formed with R1 and Cb.

$$f_{zero} \sim 1 / (2\pi \times R_1 \times C_b)$$

First, choose the appropriate value of R1, R2 and Cb.

Set R1+R2 value 100kΩ or less.

For example, if L=10μH, COUT=10μF, the cut off frequency of the pole is approximately 16kHz.

To make the cut off frequency of the zero as much as 16kHz, set R1=42kΩ and Cb=100pF.

If VOUT is set at 1.5V, R2=48kΩ is appropriate.

If a ceramic capacitor is desirable as COUT in your application, nonetheless of the usage of both the fixed output voltage type and adjustable output type, add 0.2Ω or more resistance to compensate the ESR.

Further, if a ceramic capacitor is desirable to use as COUT without adding another resistor to compensate the ESR, phase should be back drastically. To make it, R2 value should be smaller compared to R1. As a result, the set output voltage may be large. For example, to make VOUT=1.5V, constants are R1=42kΩ, R2=48kΩ, and Cb=100pF. If the ceramic capacitor is used, under the heavy load condition, oscillation may be result. On the other hand, if R2=12kΩ and VOUT=3.6V, phase back becomes also large, and even if the device is used with a heavy load, the operation will be stable.

Rb is effective for reducing the noise on VFB, however, it is not always necessary. If it is necessary, use as much as 30kΩ as Rb.

External Components

1. Inductor

Select an inductor that peak current does not exceed I_{Lmax} . If larger current than allowable current flows, magnetic saturation occurs and make transform efficiency worse.

Supposed that the load current is at the same, the smaller value of L is used, the larger the ripple current is.

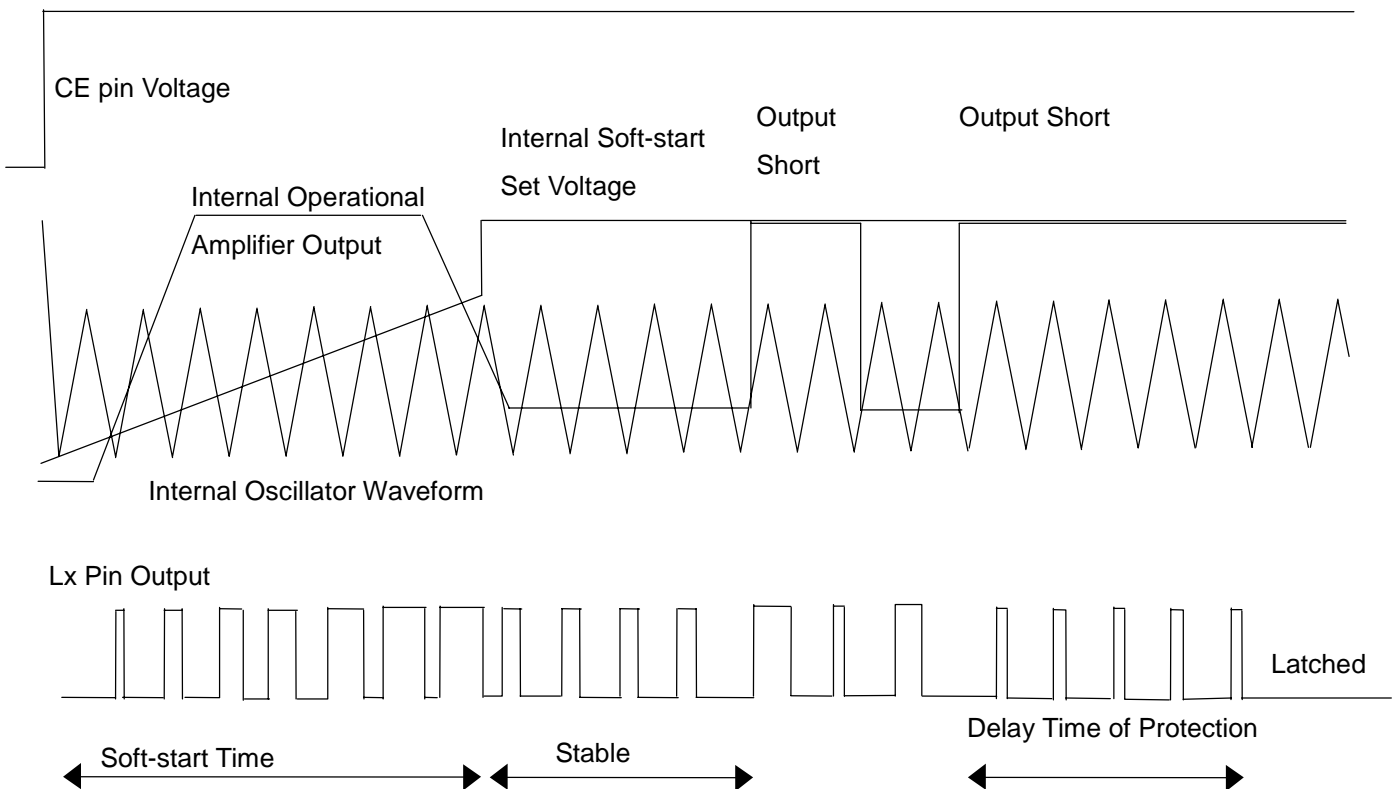
Provided that the allowable current is large in that case and DC current is small, therefore, for large output current, efficiency is better than using an inductor with a large value of L and vice versa.

2. Capacitor

As for C_{IN} , use a capacitor with low ESR (Equivalent Series Resistance) Ceramic type of a capacity at least $10\mu F$ for stable operation.

C_{OUT} can reduce ripple of Output Voltage, therefore as much as $10\mu F$ tantalum type is recommended.

TIMING CHART

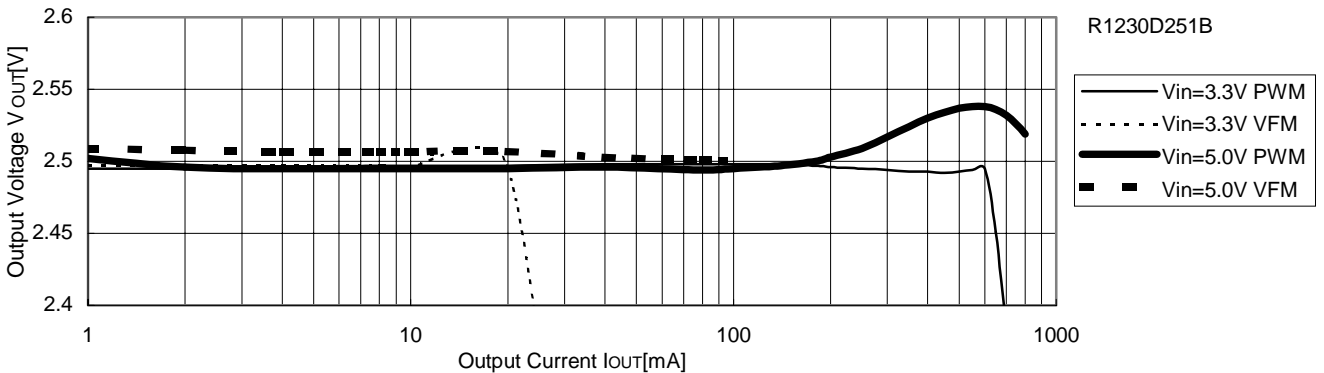
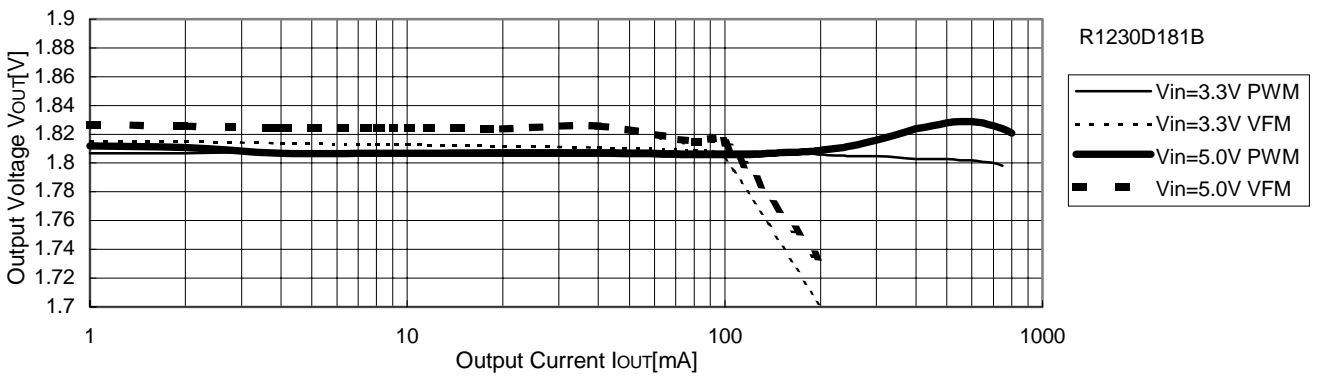
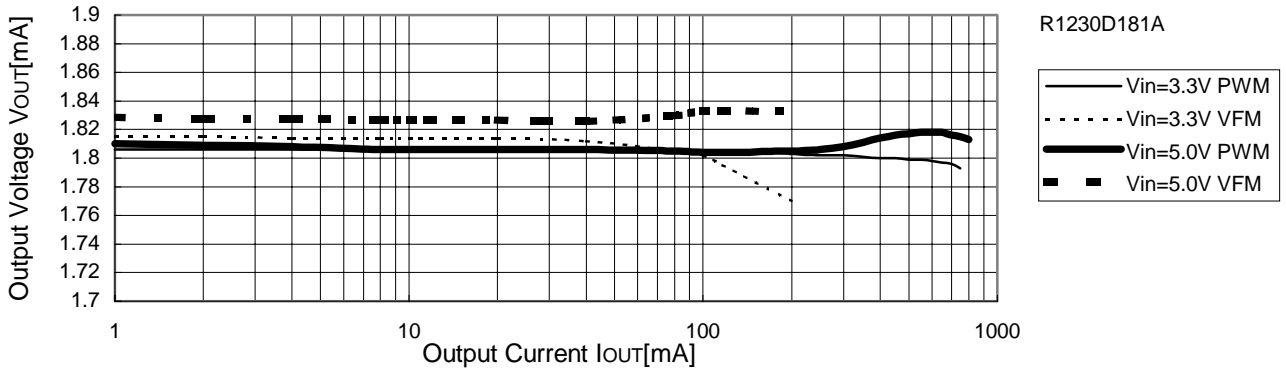


The timing chart as shown above describes the waveforms starting from the IC is enabled with CE and latched with protection. During the soft-start time, until the level is rising up to the internal soft-start set voltage, the duty cycle of Lx is gradually wider and wider to prevent the over-shoot of the voltage. During the term, the output of amplifier is "H", then after the output voltage reaches the set output voltage, they are balanced with the stable state. Herein, if the output pin would be short circuit, the output of amplifier would become "H" again, and the condition would continue for 1.5ms (TYP.), latch circuit would work and the output of Lx would be latched with "OFF". (Output = "High-Z") If the output short is released before the latch circuit works (within 1.5ms after output shorted), the output of amplifier is balanced in the stable state again.

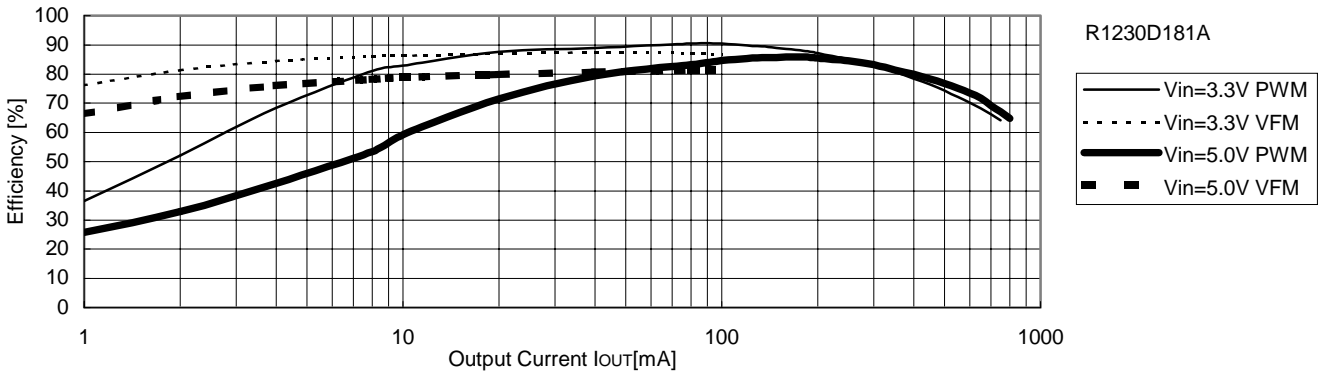
Once the IC is latched, to release the protection, input "L" with CE pin, or make the supply voltage at UVLO level or less.

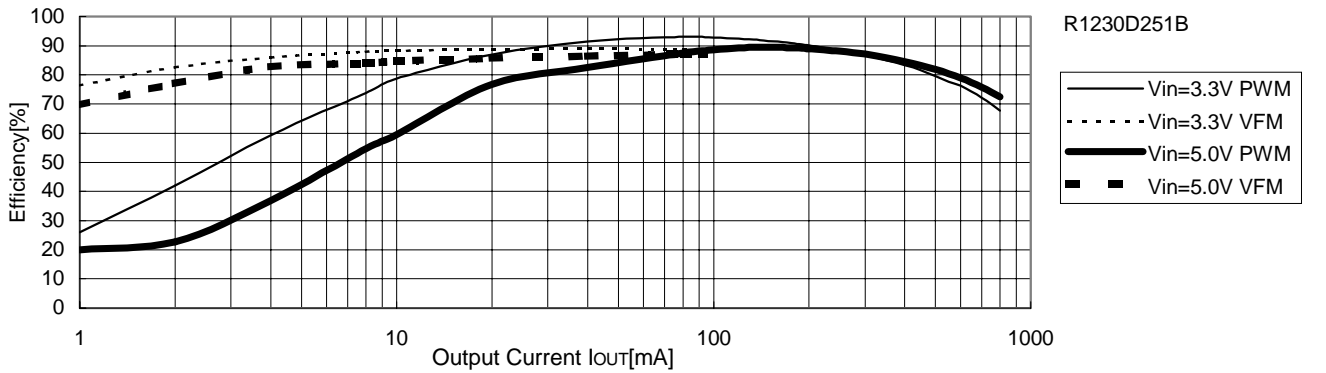
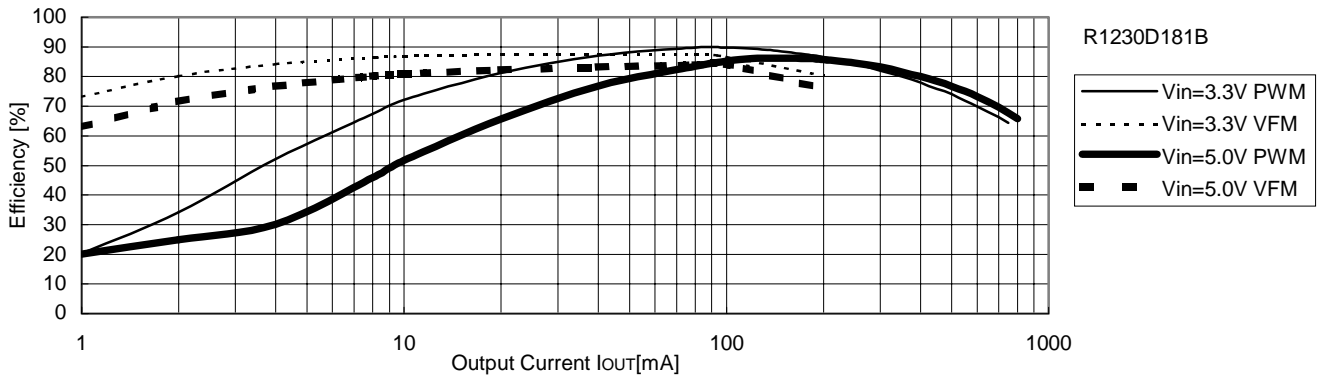
TYPICAL CHARACTERISTICS

1) Output Voltage vs. Output Current

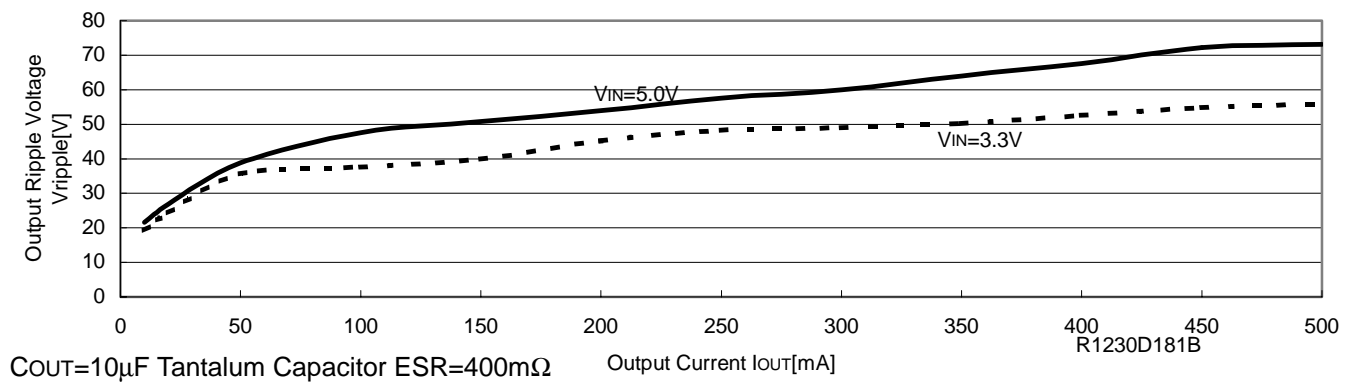
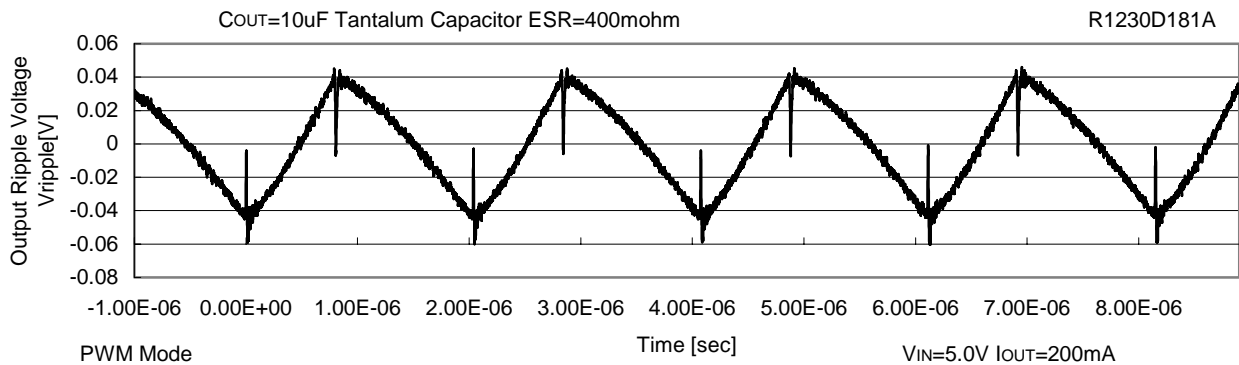


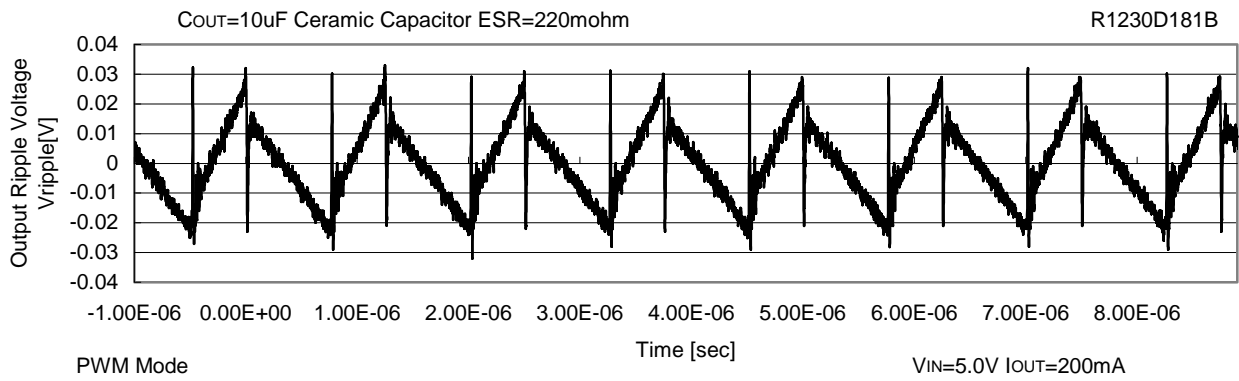
2) Efficiency vs. Output Current



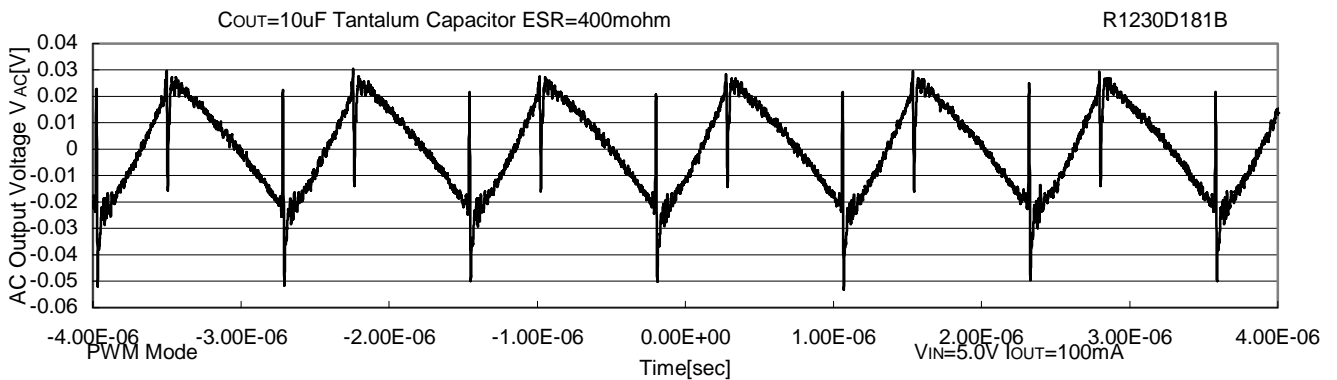
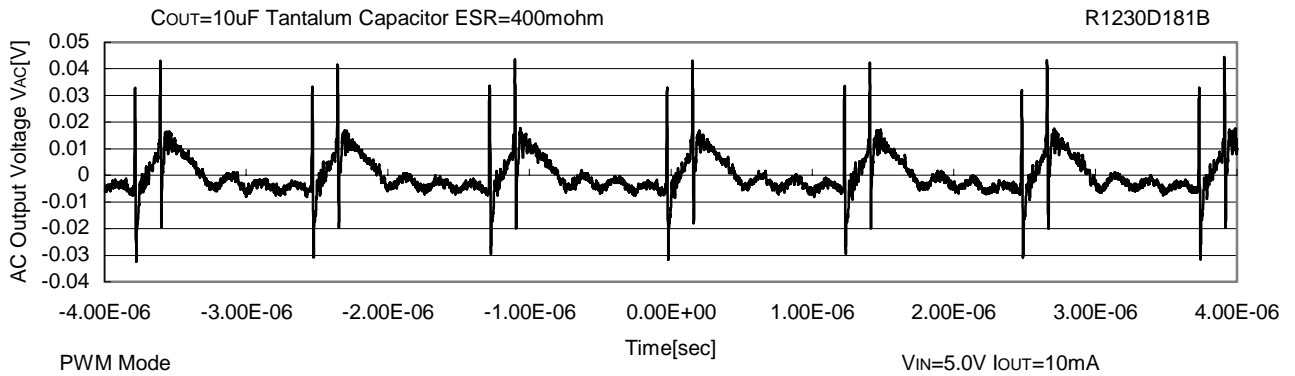


3) Ripple Voltage vs. Output Current

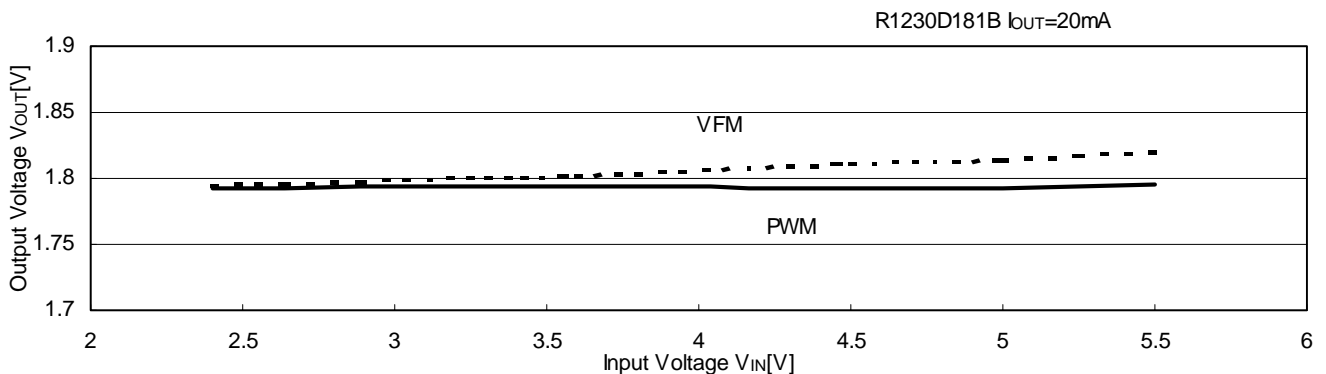




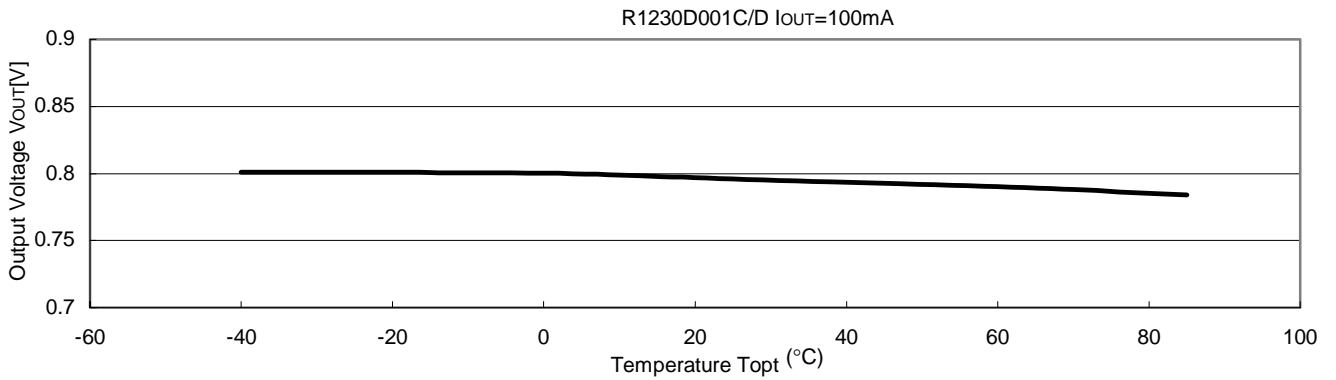
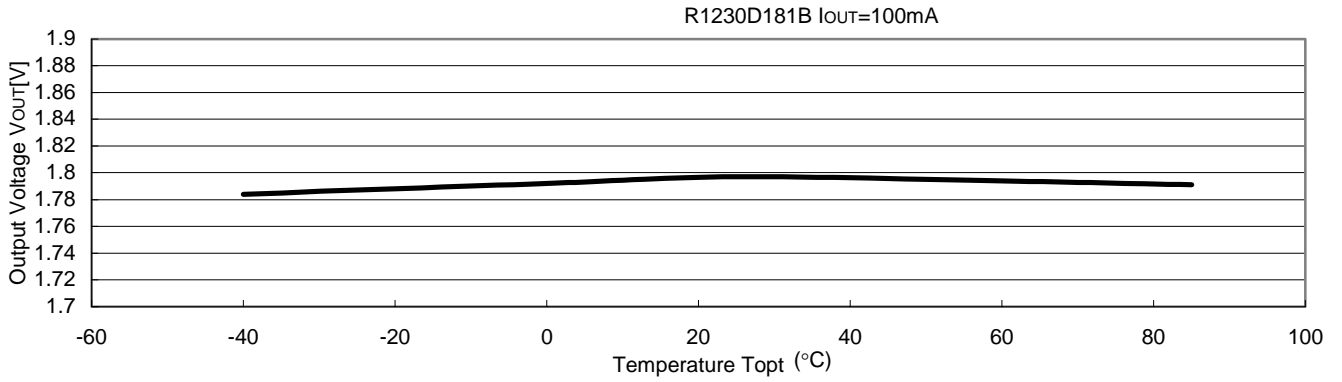
4) Output Waveform



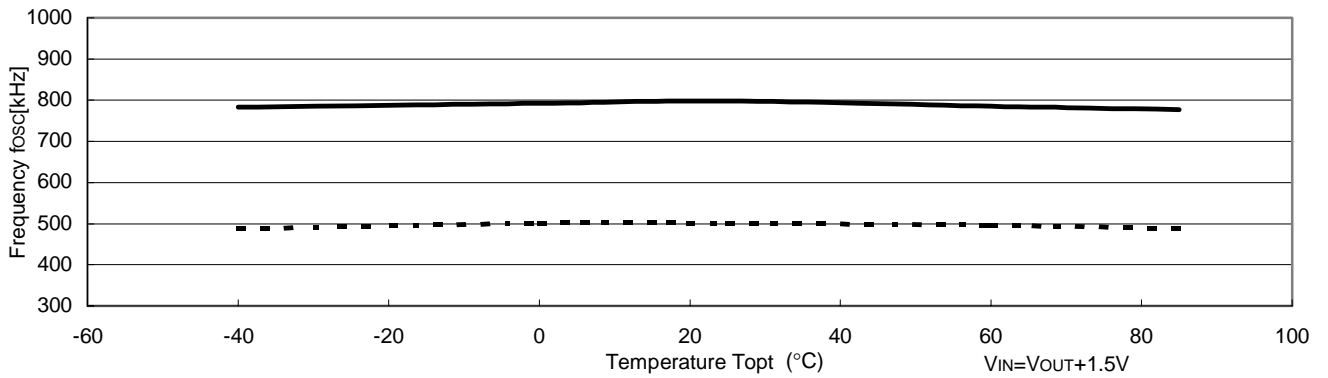
5) Output Voltage vs. Input Voltage



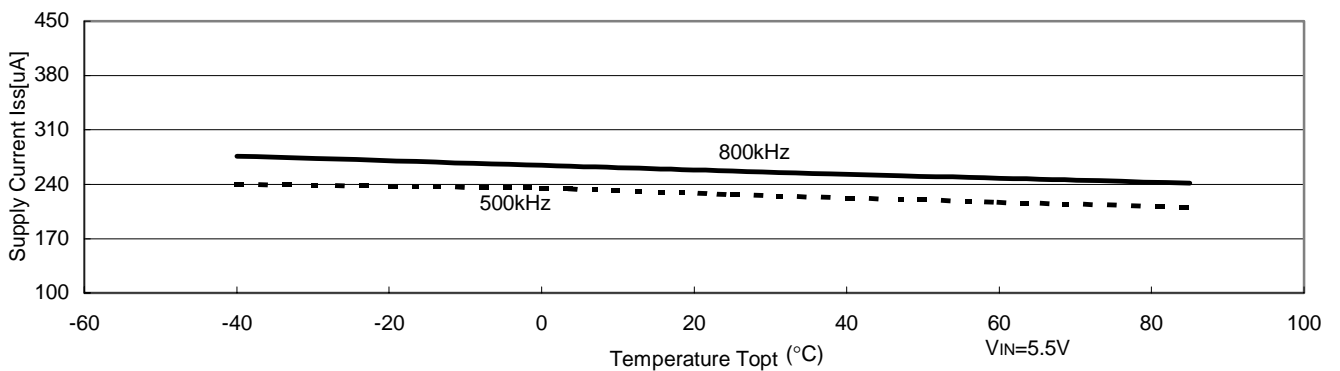
6) Output Voltage vs. Temperature



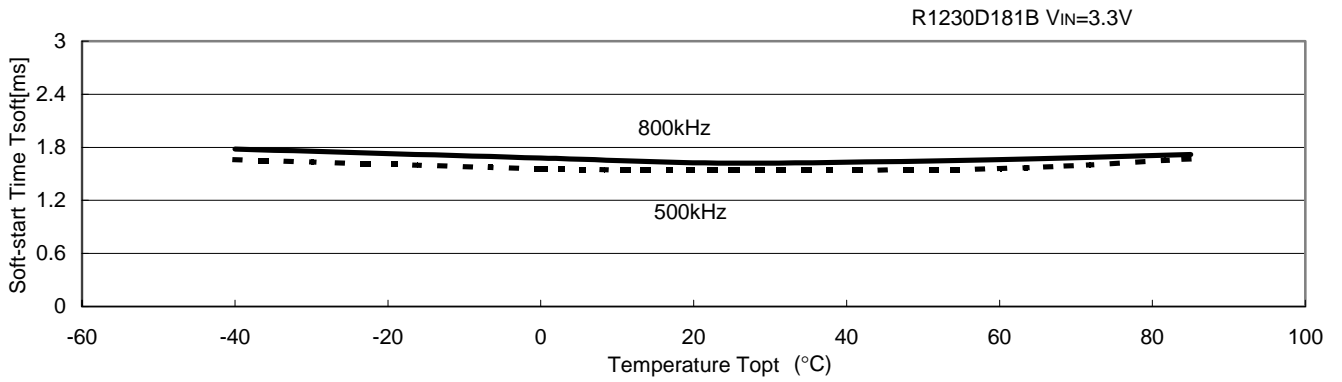
7) Oscillator Frequency vs. Temperature



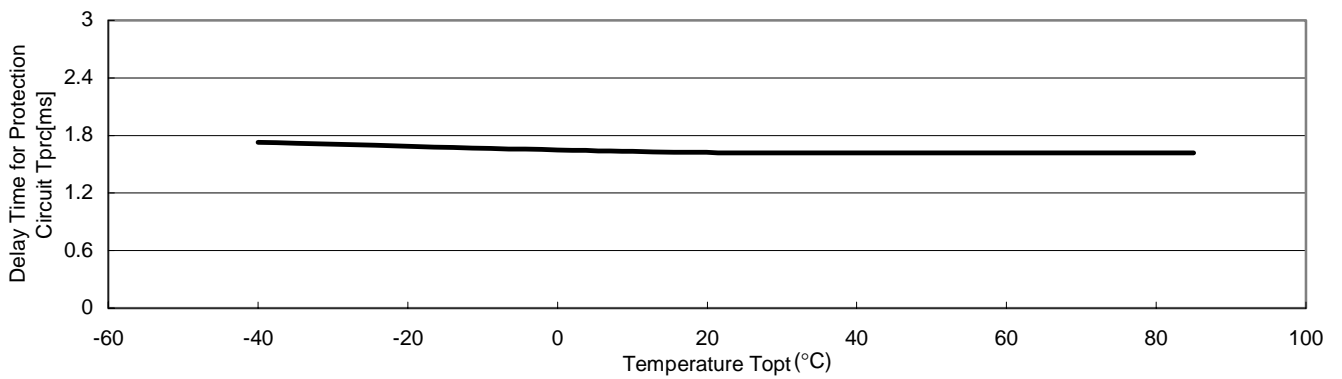
8) Supply Current vs. Temperature



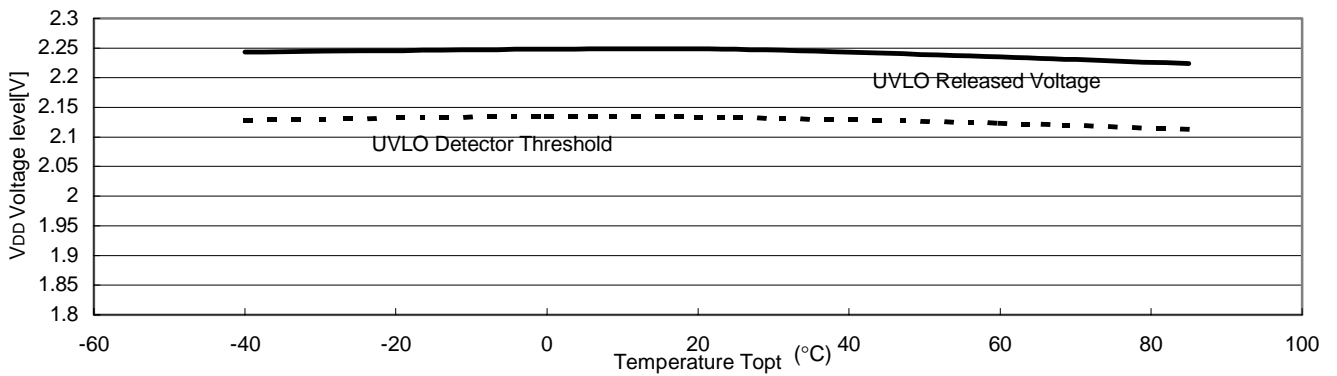
9) Soft-start time vs. Temperature



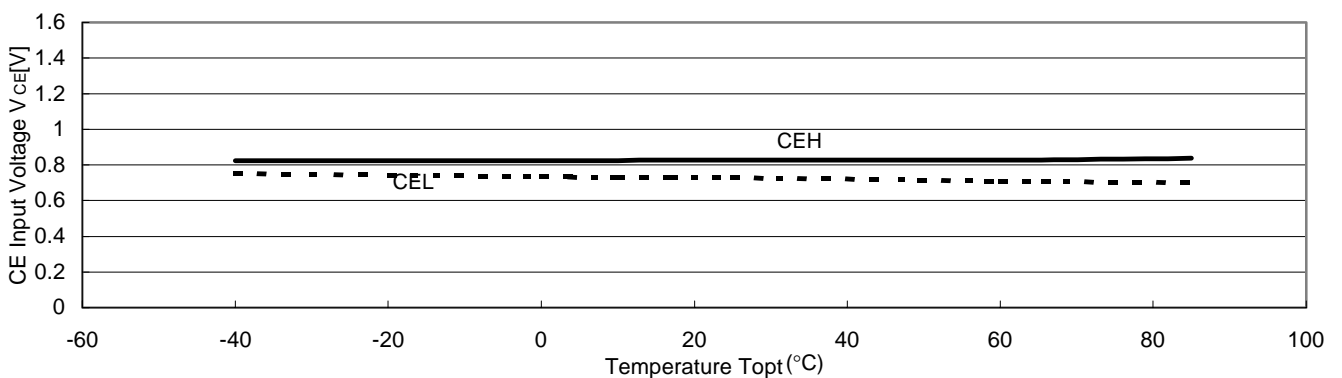
10) Delay Time for protection vs. Temperature



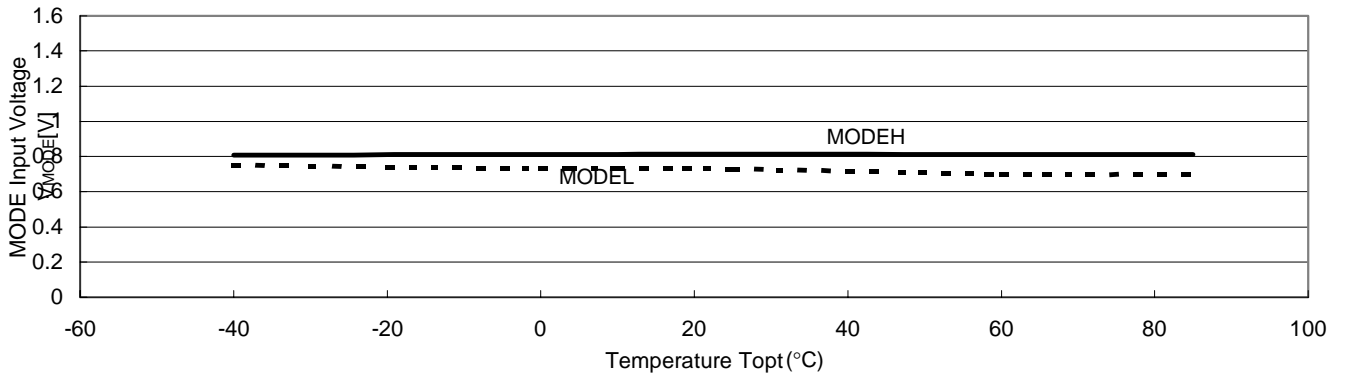
11) UVLO Threshold/Released Voltage vs. Temperature



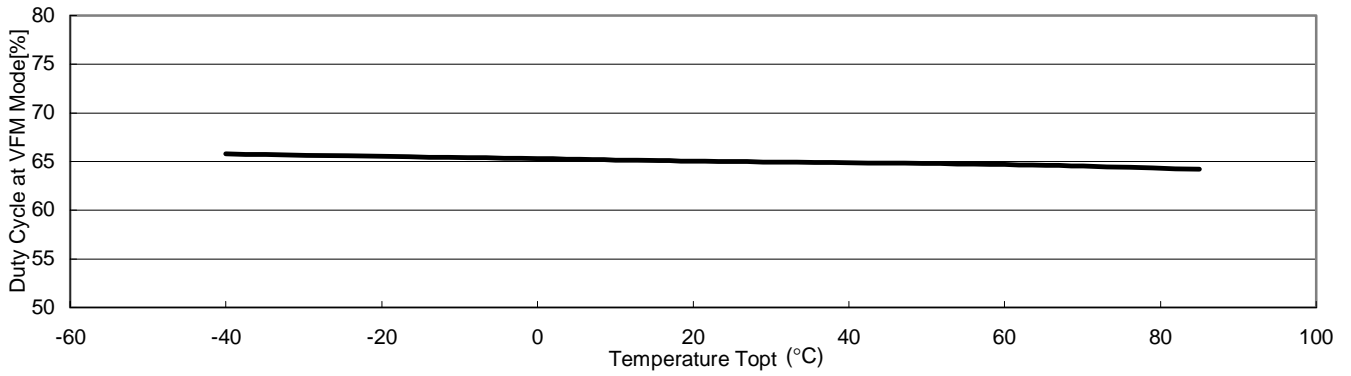
12) CE Pin Input Voltage vs. Temperature



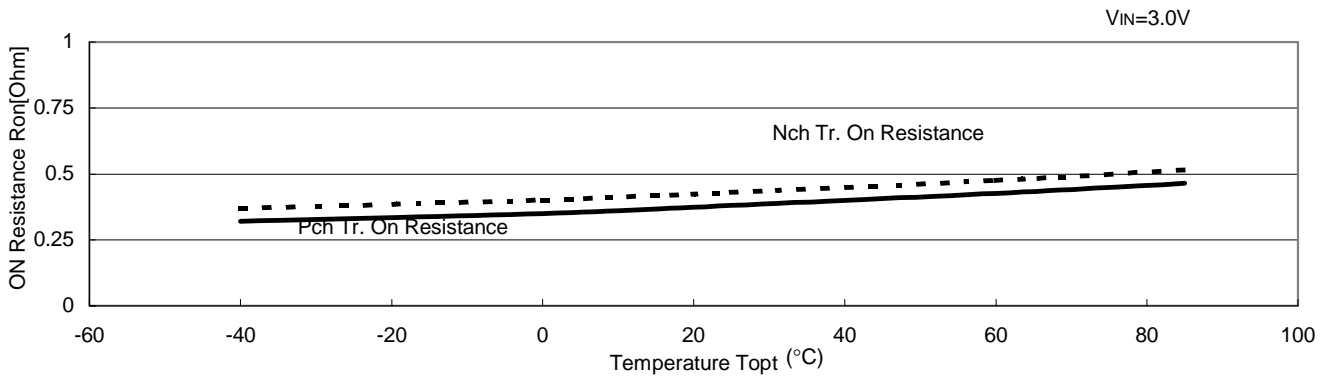
13) Mode Pin Input Voltage vs. Temperature



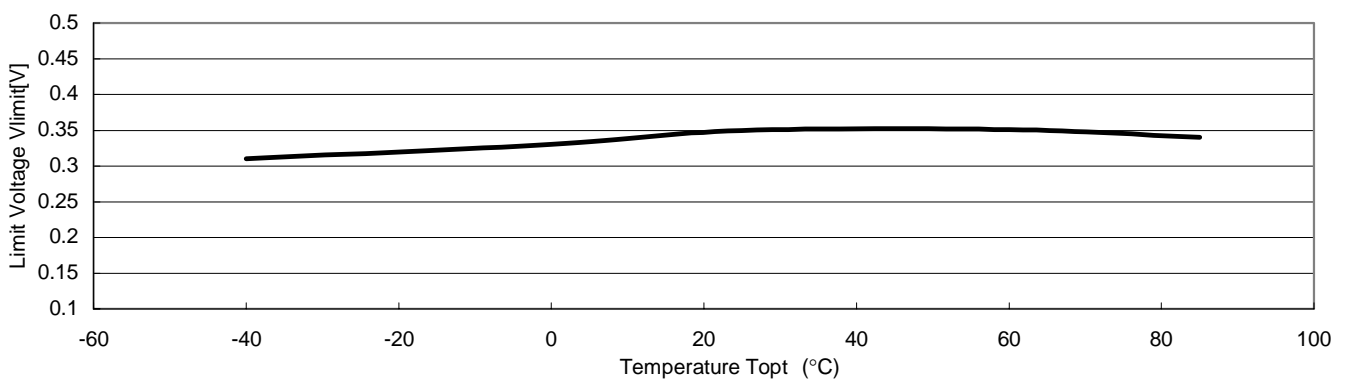
14) Duty Cycle at VFM Mode vs. Temperature



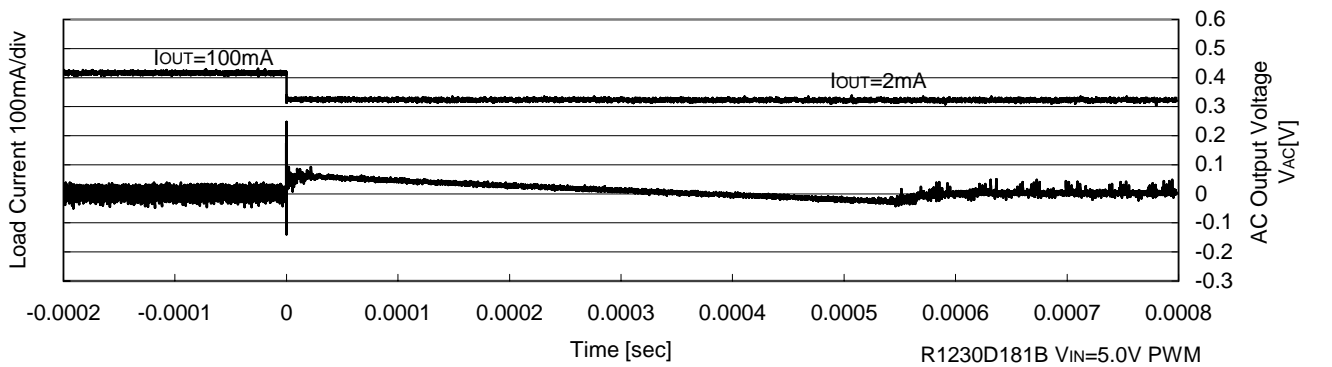
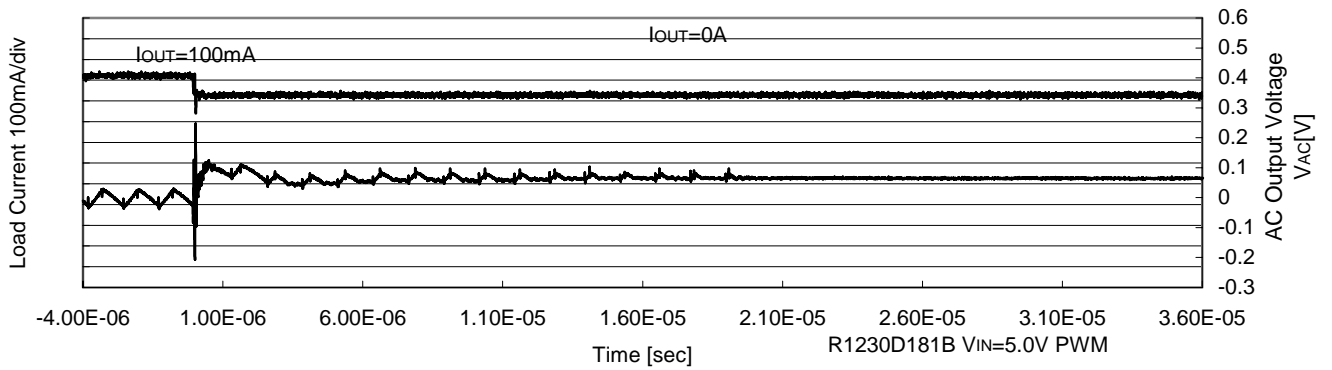
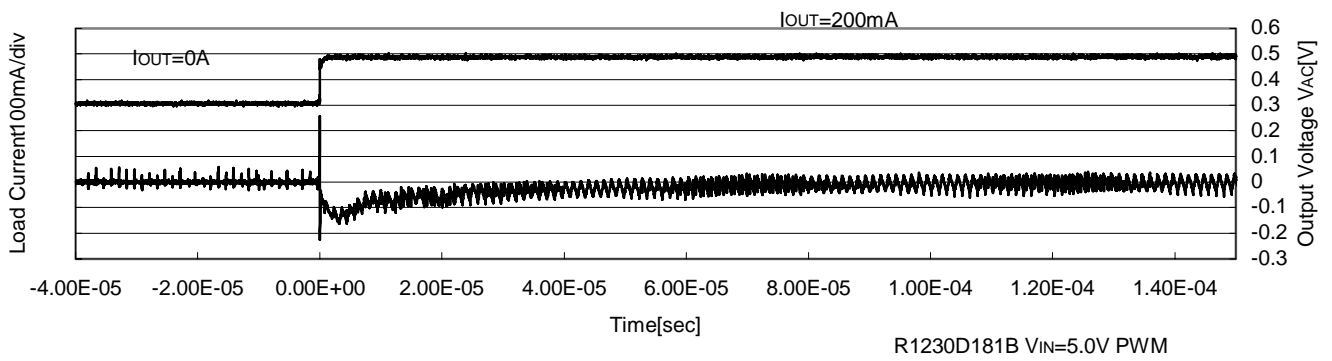
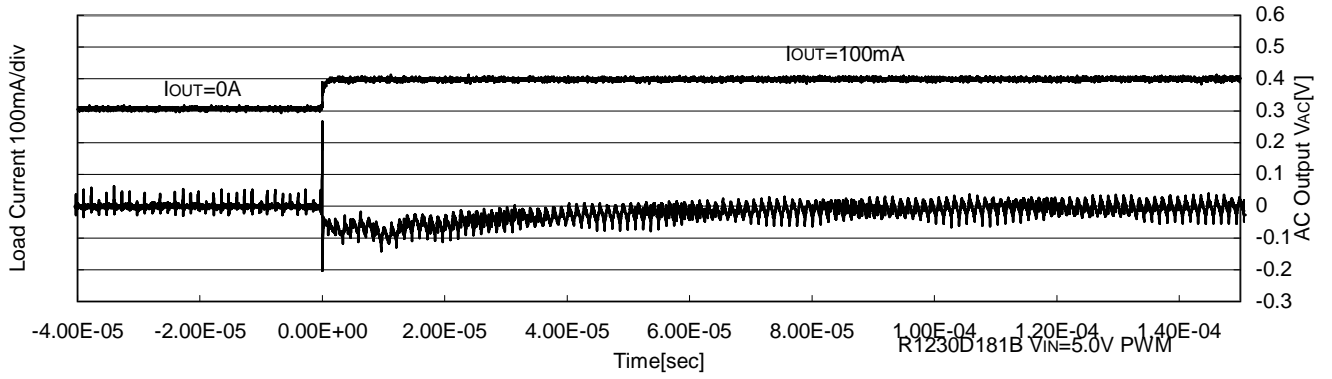
15) Lx Transistor on Resistance vs. Temperature

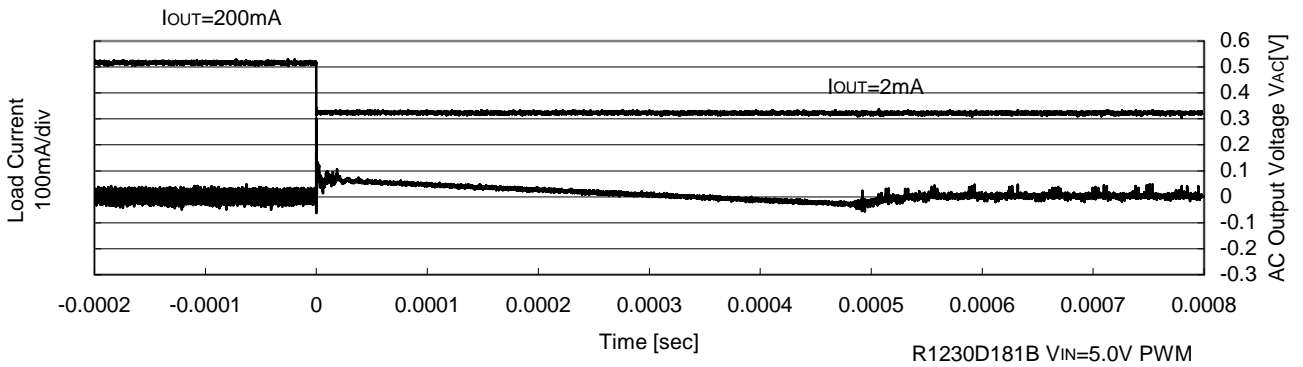
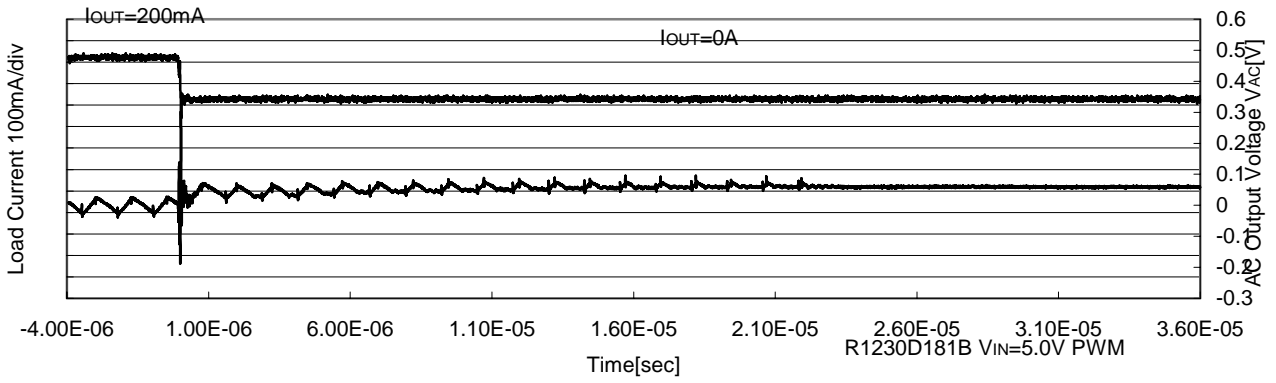


16) Limit Voltage vs. Temperature



17) Load Transient Response





18) Turn-on Waveform

