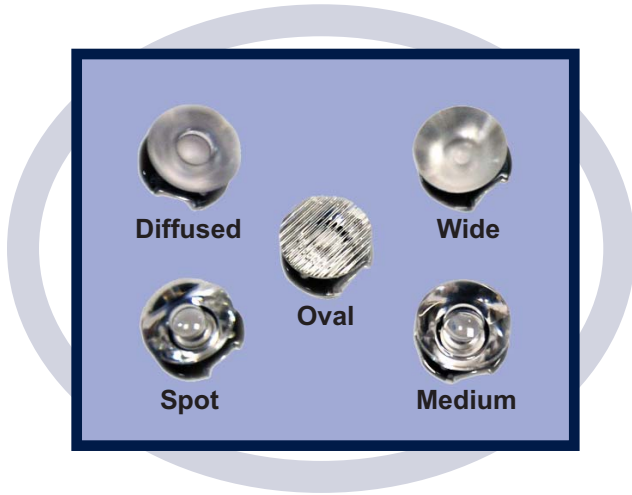




ADHESIVE-BACKED LENS SYSTEM



FEATURES / BENEFITS

- ▲ For CREE XPE & XPC LEDs
- ▲ Available in spot, medium, wide, frosted spot and oval lenses
- ▲ Integral self-adhesive pad
- ▲ Compact size
- ▲ Greater than 80% efficiency
- ▲ 3 alignment tabs to ensure accurate placement over LED
- ▲ Frosted model for even light output within 7° half divergence & smooth tailoff. Designed to minimize hot spots & fringing in color mixing applications

OPERATING CONDITIONS

▲ -40°C to +120°C temperature

MATERIALS/FINISH

▲ Optical grade polycarbonate 143R

ORDERING INFORMATION

BASE LENSES		
Dialight P/N	Description	Degree*
OPXP-1-SPOT	Spot Base Module for CREE XPE & XPC	5°
OPXP-1-MED	Medium Base Module for CREE XPE & XPC	8°
OPXP-1-WIDE	Wide Frosted Base Module for CREE XPE & XPC	20°
OPXP-1-OVAL	Oval Base Module for CREE XPE & XPC	8° X 25°
OPXP-1-SDIF	Frosted Spot Base Module for CREE XPE & XPC	7°
*All angles refer to half divergence		

Dialight reserves the right to make changes at any time in order to supply the best product possible.

Dialight Lumidrives

York House • Weatherby Road • Long Marston, York, YO26 7NH

Tel: 0845 6346161 • Fax: 0845 6346160 • www.dialight.com



Dialight Corporation

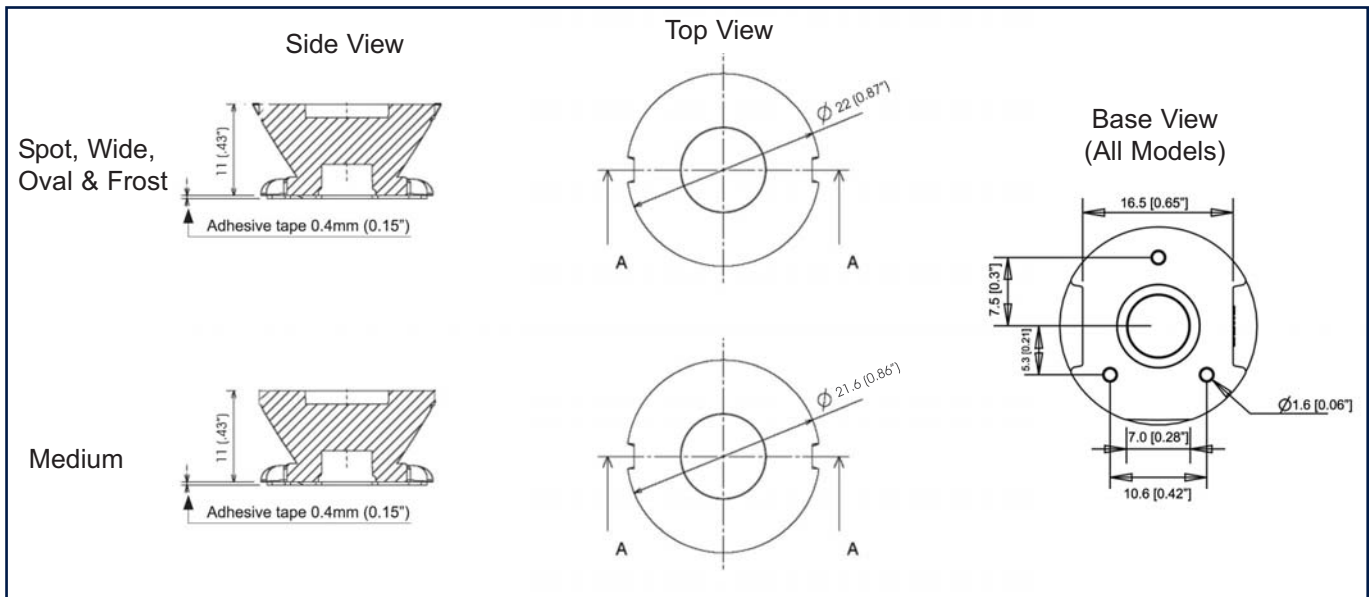
1501 Route 34 South • Farmingdale, NJ 07727 USA

Tel: (1) 732-919-3119 • Fax: (1) 732-751-5778 • www.dialight.com

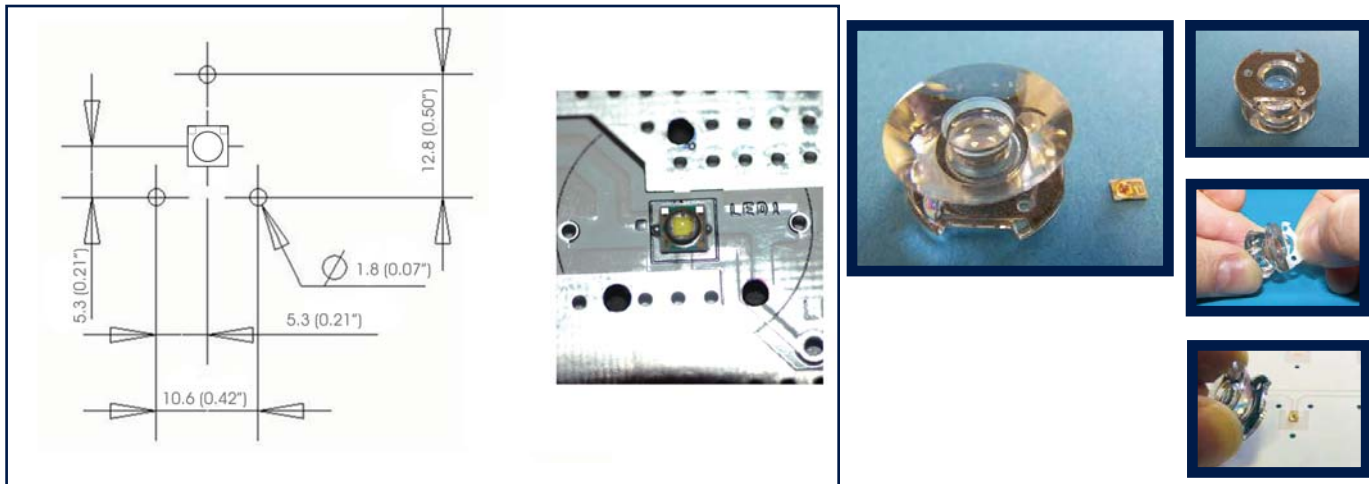


MDEXLUMADBCREEXP_B

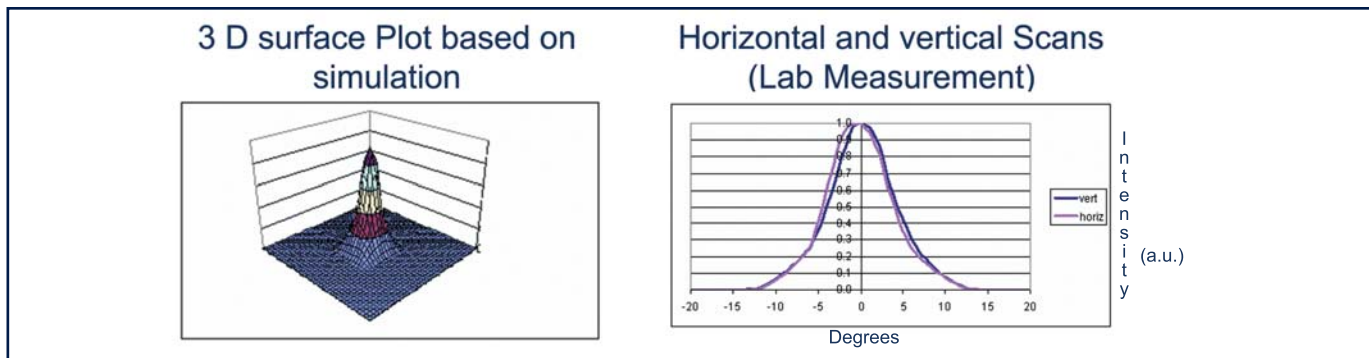
MECHANICAL DIMENSIONS



PCB ALIGNMENT DIMENSION DETAILS



PHOTOMETRIC DATA FOR SPOT VERSION



For photometric data on other models, please contact factory

Dialight reserves the right to make changes at any time in order to supply the best product possible.

Dialight Lumidrive

York House • Weatherby Road • Long Marston, York, YO26 7NH

Tel: 0845 6346161 • Fax: 0845 6346160 • www.dialight.com



Dialight Corporation

1501 Route 34 South • Farmingdale, NJ 07727 USA

Tel: (1) 732-919-3119 • Fax: (1) 732-751-5778 • www.dialight.com



MDEXLUMADBCREEXP_B