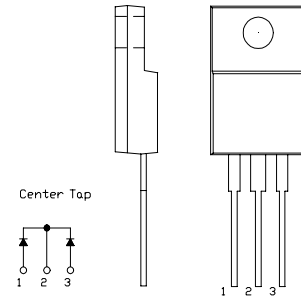


SBD Type : FCL30A015

OUTLINE DRAWING

FEATURES

- *TO-220AB Case
- *Fully Molded
- *Dual Diodes – Cathode Common
- *Extremely Low Forward Voltage Drop
- *Oring Diode
- *High Surge Capability



Maximum Ratings

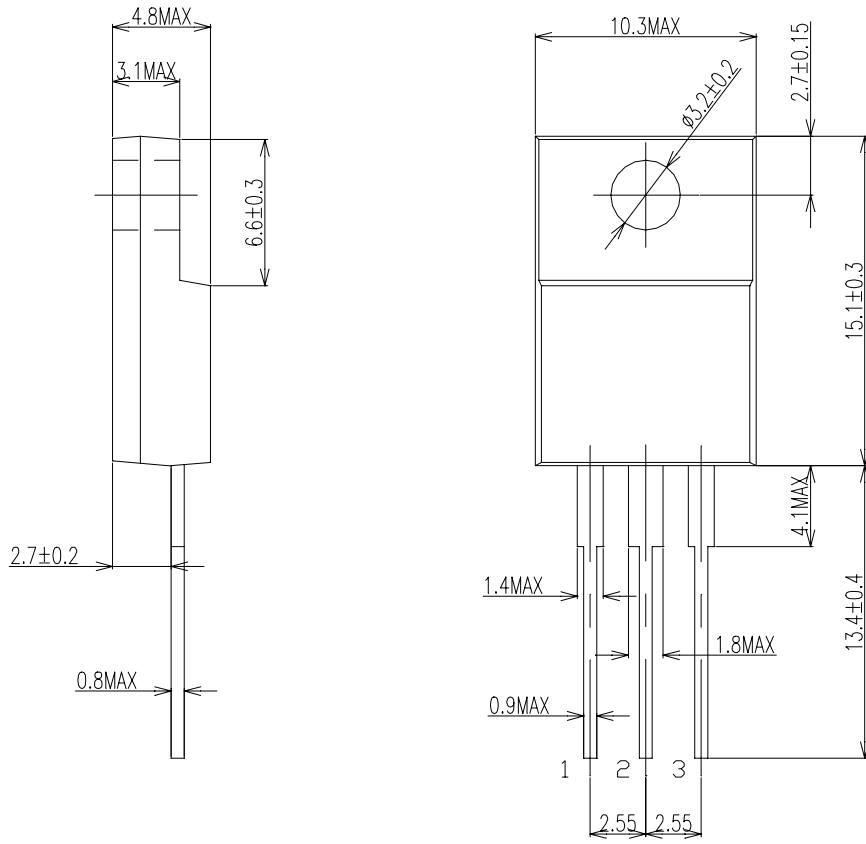
Approx Net Weight: 1.75g

Rating	Symbol	FCL30A015			Unit
Repetitive Peak Reverse Voltage	V_{RRM}	15			V
Average Rectified Output Current	I_O	30	$T_c=78^{\circ}\text{C}$	50 Hz Full Sine Wave Resistive Load	A
RMS Forward Current	$I_{F(RMS)}$	33.3			A
Surge Forward Current	I_{FSM}	250	50Hz Full Sine Wave ,1cycle Non-repetitive		A
Operating JunctionTemperature Range	T_{jw}	-40 to +125			$^{\circ}\text{C}$
Storage Temperature Range	T_{stg}	-40 to +125			$^{\circ}\text{C}$
Mounting torque	F_{tor}	recommended torque = 0.5			N•m

Electrical • Thermal Characteristics

Characteristics	Symbol	Conditions	Min.	Typ.	Max.	Unit
Peak Reverse Current	I_{RM}	$T_j= 25^{\circ}\text{C}$, $V_{RM}= V_{RRM}$ per arm	-	-	15	mA
Peak Forward Voltage	V_{FM}	$T_j= 25^{\circ}\text{C}$, $I_{FM}= 15\text{ A}$ per arm	-	-	0.42	V
Thermal Resistance	$R_{th(j-c)}$	Junction to Case	-	-	1.5	$^{\circ}\text{C}/\text{W}$
	$R_{th(c-f)}$	Cace to Fin	-	-	1.5	$^{\circ}\text{C}/\text{W}$

FCL30A015 OUTLINE DRAWING (Dimensions in mm)



Center Tap

