

PLEASE CHECK WWW.MOLEX.COM FOR LATEST PART INFORMATION

Part Number: [0354529802](#)
Status: **Active**
Description: 6.35mm (.250") Tab Heavy Tab Terminal, A-type, 16-18 AWG (1.31-0.80mm²), Pre-Tin Plated

Documents:

Drawing (PDF)	Product Specification PS-35546-002 (PDF)
Product Specification PS-35546-001 (PDF)	RoHS Certificate of Compliance (PDF)

General

Product Family	Quick Disconnects
Series	35452
Crimp Quality Equipment	Yes
Product Name	N/A
Type	Quick Disconnect

Physical

Barrel Type	Open
Gender	Male
Glow-Wire Compliant	No
Insulation	None
Lock to Mating Part	None
Material - Metal	Brass
Orientation	Straight
Packaging Type	Reel
Polarized to Mating Part	Yes
Tab Thickness	0.81mm (.032")
Tab Width	6.35mm (.250")
Temperature Range - Operating	-40°C to +120°C
Wire Size AWG	16, 18
Wire Size mm ²	0.80 - 1.31

Electrical

Voltage - Maximum	250V
-------------------	------

Material Info

Reference - Drawing Numbers

Product Specification	PS-35546-001, PS-35546-002
Sales Drawing	SD-35452-001

EU RoHS
ELV and RoHS
Compliant
REACH SVHC
Contains SVHC: No
Halogen-Free
Status
Halogen-Free

China RoHS



Need more information on product environmental compliance?

Email productcompliance@molex.com
 For a multiple part number RoHS Certificate of Compliance, [click here](#)

Please visit the [Contact Us](#) section for any non-product compliance questions.

Search Parts in this Series

[35452Series](#)

Use With

[35546](#) , [35547](#)

Application Tooling | FAQ

Tooling specifications and manuals are found by selecting the products below. Crimp Height Specifications are then contained in the Application Tooling Specification document.

Global

Description	Product #
Extraction Tool for 6.35mm (.250") Heavy Tab Terminals, 12-14 AWG	0638133100
T2 Terminator Die	0638576000
FineAdjust™ Applicator	0638676000

PLEASE CHECK WWW.MOLEX.COM FOR LATEST PART INFORMATION

DO NOT SCALE DRAWING
DIMENSION IN METRIC

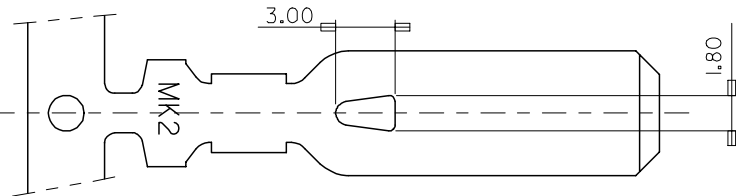
c

PROJECT NO.

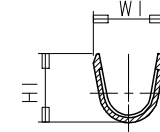
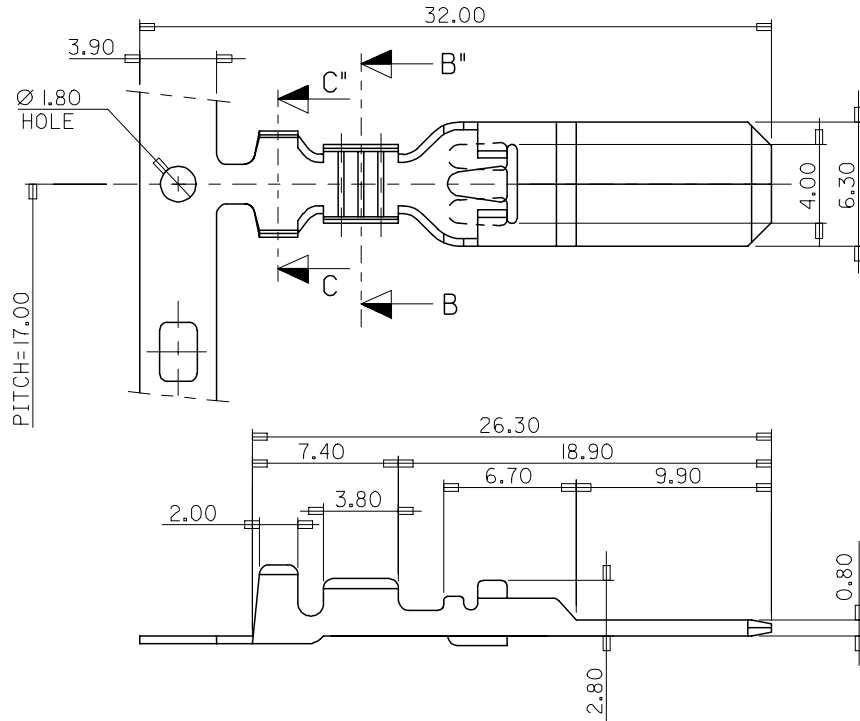
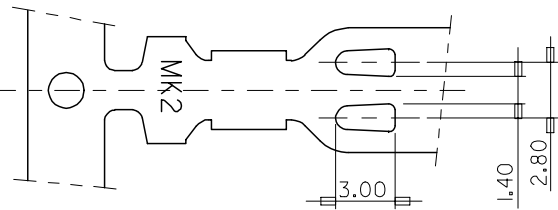
SIMILAR ITEM

DWG. NO.
SD-35452-001

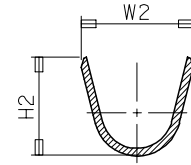
"A" TYPE
35452-9*02



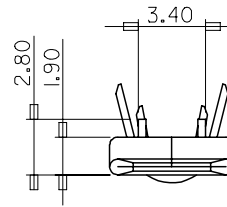
"B" TYPE
35453-9*02



SECTION B-B'



SECTION C-C'



NOTES

1. MATERIAL: BRASS
2. FINISHES: PRE-TIN PLATED

ENG.NO	MATERIAL NO.	W1	H1	W2	H2
3545*-9702	3545*9702	2.8	2.8	3.8	3.8
3545*-9802	3545*9802	3.5	3.5	5.6	5.2
3545*-9902	3545*9902	5.0	4.8	6.3	6.3

* : 2 AND 3

REVISED	DESCRIPTION
EC NO. KOR2002-0099	
DRWN: C.B.CHIN 02/04/08	
CHK: W.Y.YANG	
APPR: C.W.LEE	
A	REV

QUALITY SYMBOLS	MAJOR = 0	CRITICAL = 0
-----------------	-----------	--------------

GENERAL TOLERANCES: (UNLESS SPECIFIED)	mm	INCH
4 PLACES	±0.	±.
3 PLACES	±0.	±.
2 PLACES	±0.30	±.
1 PLACE	±0.30	±.
ANGULAR: ± 1.0 °		
DRAFT WHERE APPLICABLE MUST REMAIN WITHIN DIMENSIONS		

SCALE 4:1	DESIGN UNITS <input checked="" type="checkbox"/> mm <input type="checkbox"/> INCH
DRAWN BY & DATE W.Y.YANG 97/11/04	
CHECKED BY & DATE B.K.CHOI 97/11/04	
APPROVED BY & DATE C.W.LEE 97/11/04	
CAD FILENAME S35452AA.DGN	

THIRD ANGLE PROJECTION		DIMENSIONS: <input type="checkbox"/> mm <input type="checkbox"/> INCH <input type="checkbox"/> mm <input checked="" type="checkbox"/> mm ONLY		SHT	REV
TITLE: .250 HEAVY TAB-(A),(B)					
MOLEX MOLEX INCORPORATED					
MATERIAL NO. SEE TABLE	DRAWING NO. SD-35452-001	SHEET NO. 1/1		SIZE B	
THIS DRAWING CONTAINS INFORMATION THAT IS PROPRIETARY TO MOLEX INCORPORATED AND SHOULD NOT BE USED WITHOUT WRITTEN PERMISSION.					

MX-A3