

**PLEASE CHECK WWW.MOLEX.COM FOR LATEST PART INFORMATION**

**Part Number:** [0039032067](#)  
**Status:** **Active**  
**Overview:** [standard\\_062](#)  
**Description:** 1.57mm (.062") Diameter Standard .062" Pin and Socket Plug Housing, 6 Circuits, Without Mounting Ears

**Documents:**

[3D Model](#) [Product Specification PS-1625-010 \(PDF\)](#)  
[Drawing \(PDF\)](#) [RoHS Certificate of Compliance \(PDF\)](#)

**Agency Certification**

CSA LR19980  
TUV R72081037  
UL E29179

**General**

Product Family Crimp Housings  
Series [1625](#)  
Comments Polarized to Mating Part  
Overview [standard\\_062](#)  
Product Name Standard .062"

**Physical**

Breakaway No  
Circuits (maximum) 6  
Circuits Detail 2x3  
Color - Resin Natural  
Flammability 94V-2  
Gender Plug  
Glow-Wire Compliant No  
Keying to Mating Part None  
Lock to Mating Part Yes  
Material - Resin Nylon  
Number of Rows 3  
Packaging Type Bag  
Panel Mount No  
Pitch - Mating Interface (in) 0.145 In  
Pitch - Mating Interface (mm) 3.68 mm  
Pitch - Term. Interface (in) 0.145 In  
Pitch - Term. Interface (mm) 3.96 mm  
Polarized to Mating Part Yes  
Stackable No  
Temperature Range - Operating -40°C to +105°C

**Electrical**

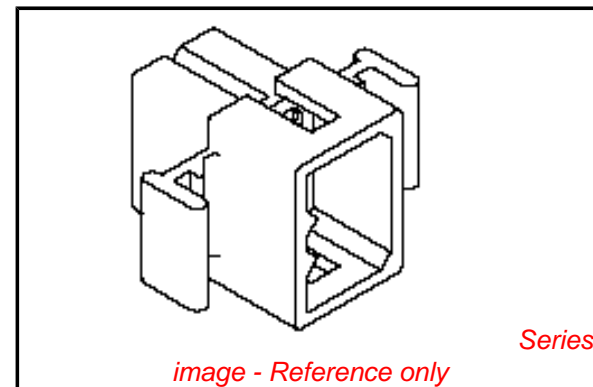
Current - Maximum per Contact 5A

**Material Info**

Old Part Number 1625-06P1

**Reference - Drawing Numbers**

Packaging Specification SPK-1625-001  
Product Specification PS-1625-010, RPS-1625-001  
Sales Drawing SD-1625-06P\*



**EU RoHS**

**ELV and RoHS Compliant**  
**REACH SVHC Contains SVHC: No**  
**Halogen-Free Status**  
**Not Reviewed**

**China RoHS**



**Need more information on product environmental compliance?**

Email [productcompliance@molex.com](mailto:productcompliance@molex.com)  
For a multiple part number RoHS Certificate of Compliance, [click here](#)

Please visit the [Contact Us](#) section for any non-product compliance questions.

**Search Parts in this Series**

[1625Series](#)

**Mates With**

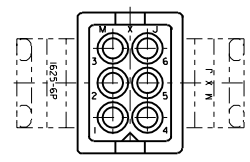
[1625](#) Receptacle

**Use With**

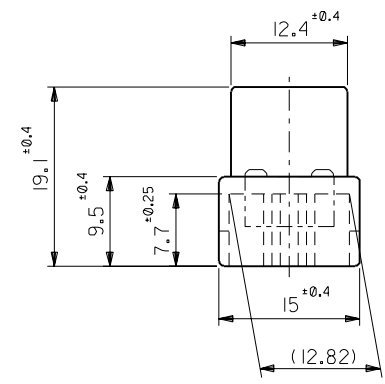
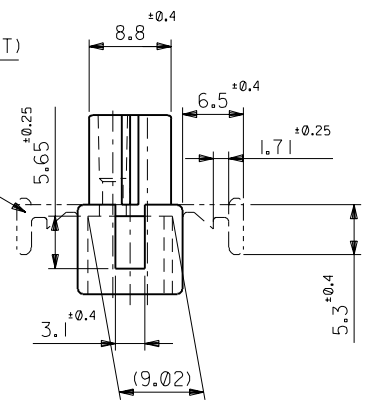
Female Crimp Terminals [1561](#)[Link:4559](#), [4529](#), [2190](#), [2189](#), [1787](#), [1855](#). Male Crimp Terminals [1560](#), [1786](#), [1854](#), [1778](#). Male PC Tail Terminals. [1779](#) Female PC Tail Terminals

This document was generated on 06/08/2010

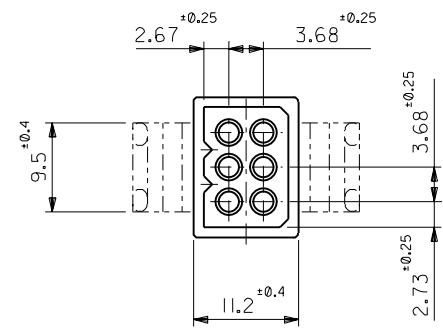
**PLEASE CHECK [WWW.MOLEX.COM](http://WWW.MOLEX.COM) FOR LATEST PART INFORMATION**



パネル取付耳 (表参照)  
MTG. EARS(SEE CHART)



パネル取付穴寸法 (厚さ 1.52最大)  
PANEL HOLE DIMENSION(THK.1.52 MAX.)



注記  
NOTE

1. 材質:ナイロン66, 94V-2  
MATERIAL:NYLON66,94V-2
2. ( ) 内寸法は参考値  
DIMENSIONS IN ( ) ARE REFERENCES

1625-06P1	39-03-2067	無 WITHOUT
1625-06P	39-03-2066	有 WITH
ENG. NO.	PART NO.	MTG. EARS

材料 MATERIAL	図中参照 REFER TO DRAWING
仕上げ FINISH	—
適用電線範囲 WIRE RANGE	—
被覆外径 INS. RANGE	—
DRAWN BY '96/07/09 H.IIJIMA	CHK'D BY '96/07/09 M.FUKUSHIMA
APP'D BY '96/07/09 M.ENOMOTO	尺 度 SCALE 2 : 1
再作図 REDRAWN	DR. DATE
変更内容 REVISION RECORD	DR. CHK. DATE
角 度 ANGLE	±3°
30°以上 OVER	±0.3
10°以上 OVER 30°未滿 UNDER	±0.25
10°未滿 UNDER	±0.2
一般公差 GENERAL TOLERANCES	記号 LTR

MOLEX-JAPAN CO.,LTD. 日本モレックス株式会社	
REVISE ONLY ON CAD SYSTEM	
TITLE 名称	
.062 DIA. 6 CIRCUIT PLUG HOUSING	
DWG. NO.	REV
SD-1625-06P*	G