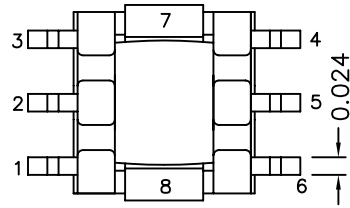
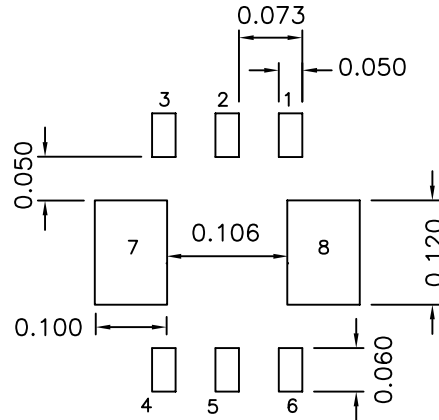


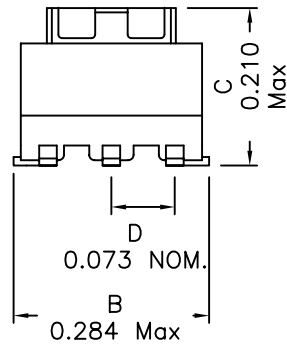
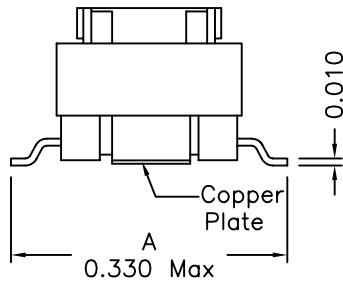
## 1. Mechanical Dimensions:



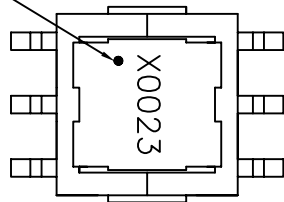
(BOTTOM VIEW)



SUGGESTED PCB LAYOUT

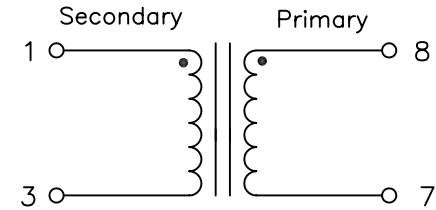


White dot for indicates Pin #1



(TOP VIEW)

## 2. Schematic:



## 3. Electrical Specifications: @25°C

OCL: Pins 1-3 1800uH Min @100KHz 0.1V

DCR: Pins 1-3 5.50 Ohms Max

Hipot: 1000Vac, Pri to Sec

Primary Rating: 20Arms @100KHz and above

Terminating Resistor: 16.67 Ohms for 1Vout

Turns Ratio: (1-3):(8-7)=100:1±5%

### Notes:

1. Solderability: Leads shall meet MIL-STD-202G, Method 208H for solderability.
2. Flammability: UL94V-0
3. ASTM oxygen index: > 28%
4. Insulation System: Class F 155°C. UL file E151556
5. Operating Temperature Range: All listed parameters are to be within tolerance from -40°C to +105°C
6. Storage Temperature Range: -55°C to +125°C
7. Aqueous wash compatible
8. SMD Lead Coplanarity: ±0.004"(0.102mm)
9. Electrical and mechanical specifications 100% tested
10. RoHS Compliant Component

<b>XFMRs Inc</b> www.XFMRs.com	Model: Current Sense Xfmr		
	Unless Otherwise Specified TOLERANCES: .xxx ±0.010 Dimensions in INCH	P/N: XF0023-EE5CS	REV. A
SHEET 1 OF 1	APP.	YK Liao	Apr-08-11

DOC REV: A/13