



Obsolescence Notice

This product is obsolete.

This information is available for your convenience only.

For more information on Zarlink's obsolete products and replacement product lists, please visit http://products.zarlink.com/obsolete_products/

SP4916

2·5GHz ÷512 PRESCALER

The SP4916 prescaler is one a range of very high speed low power prescalers for use in consumer applications such as satellite TV receivers. The device features a complementary output stage.

FEATURES

- High Speed Operation 2·5GHz
 - Silicon Technology for Low Phase Noise
 - Very Low Power Dissipation 250mW
 - Single 5V Supply Operation
 - High Input Sensitivity
 - Very Wide Operating Frequency Range
 - Electrostatic Protection †
- † ESD precautions must be observed

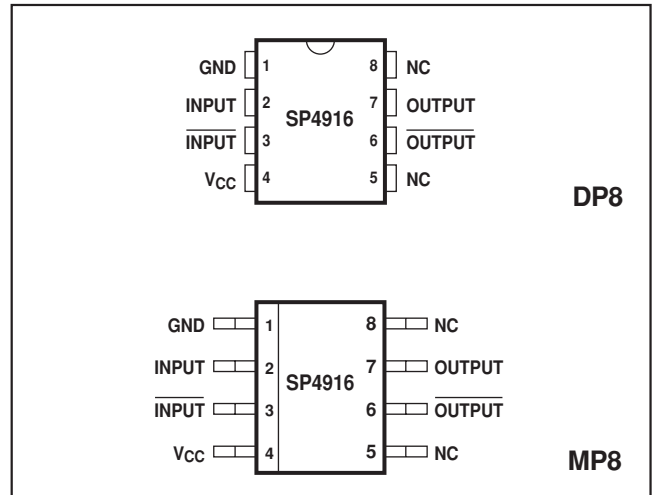


Fig 1. Pin connections - top view

ABSOLUTE MAXIMUM RATINGS

Supply voltage, V _{CC}	+6·5V
Input voltage	2·5V p-p
Storage temperature	-55°C to +150°C
Junction temperature	+175°C

ORDERING INFORMATION

- SP4916 NA DP
- SP4916 NA MP

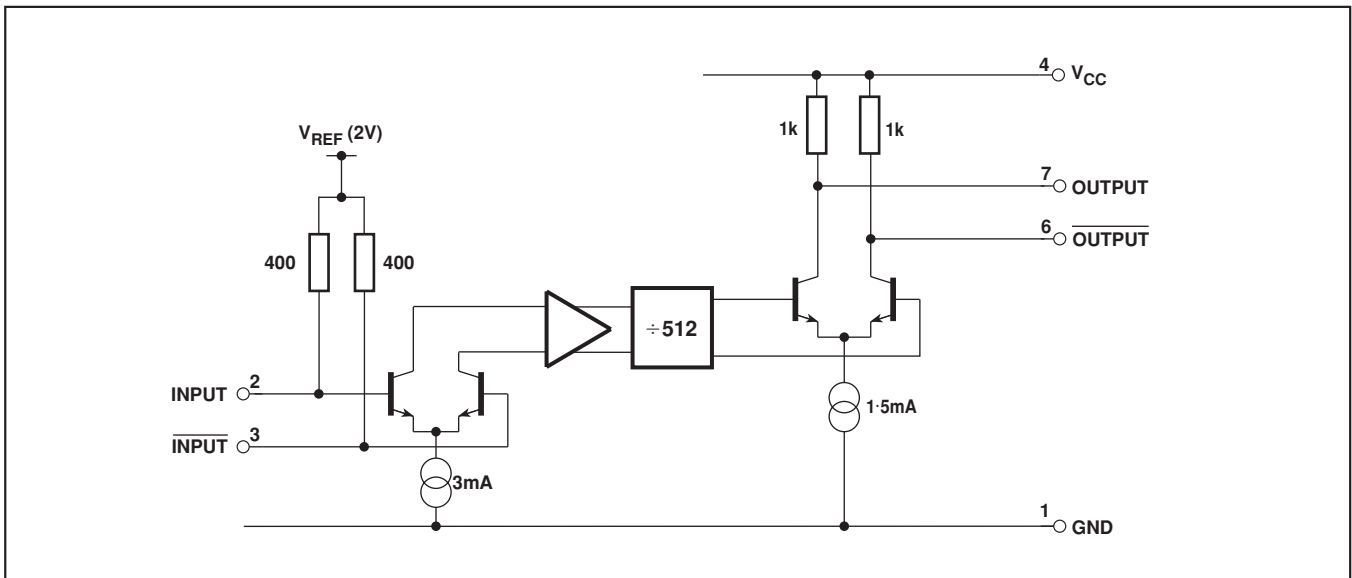


Fig. 2 SP4916 block diagram

ELECTRICAL CHARACTERISTICS

These characteristics are guaranteed over the following conditions (unless otherwise stated):

$T_{AMB} = -10^{\circ}\text{C}$ to $+85^{\circ}\text{C}$, $V_{CC} = +4.75\text{V}$ to $+5.25\text{V}$ (Test circuit see Fig. 4)

Characteristic	Pin	Value			Units	Conditions
		Min.	Typ.	Max.		
Supply current, I_{CC}	4		50	65	mA	$V_{CC} = +5\text{V}$
Input sensitivity	2,3					
500MHz to 1800MHz				50	mV	RMS sinewave, measured in 50Ω system, see Figs 3 and 4.
2500MHz				100	mV	
Input impedance (series equivalent)	2,3		50		Ω	See Fig. 5
			2		pF	
Output voltage with $f_{IN} = 2500\text{MHz}$	6,7	1.2	1.5		V p-p	$V_{CC} = +5\text{V}$, no load
		0.8	1.3		V p-p	$V_{CC} = +5\text{V}$, load as Fig. 4

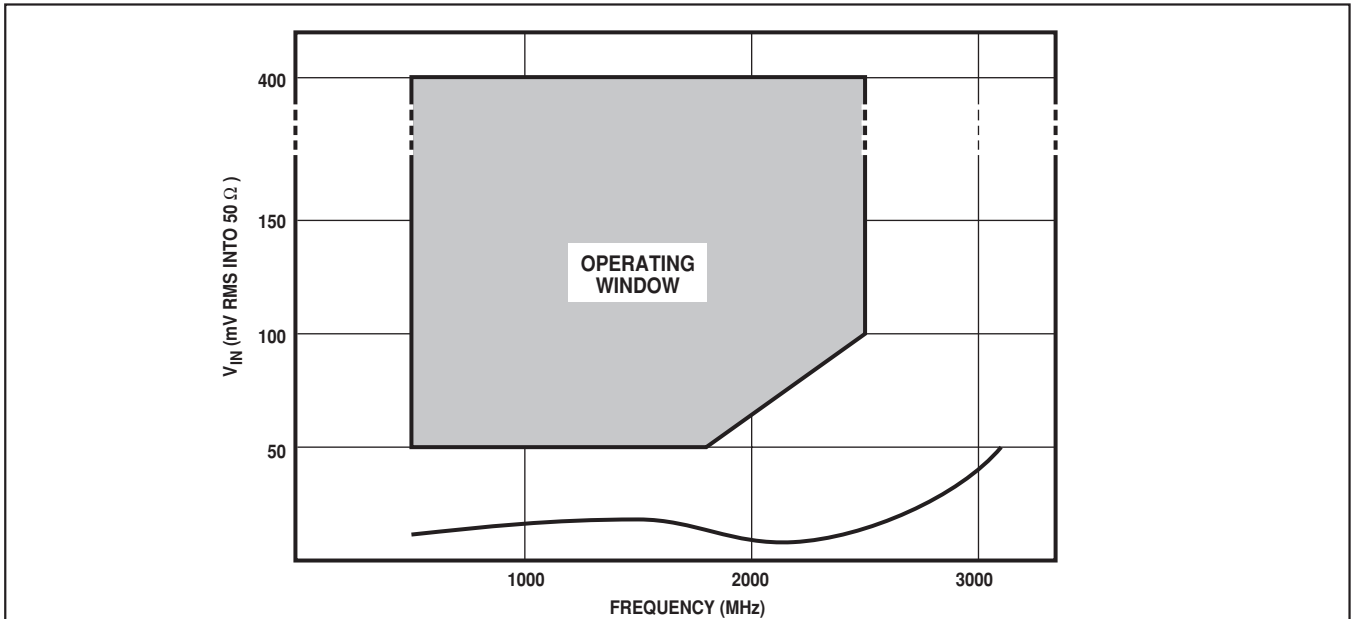


Fig. 3 Typical input sensitivity

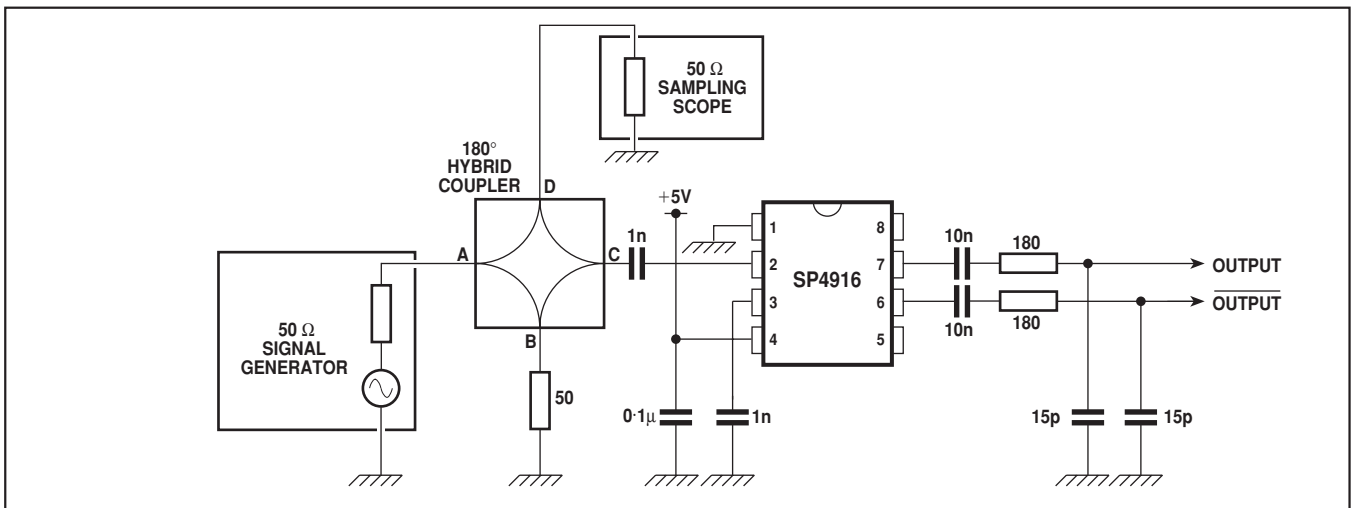


Fig. 4 Test circuit



HEADQUARTERS OPERATIONS
GEC PLESSEY SEMICONDUCTORS
Cheney Manor, Swindon,
Wiltshire SN2 2QW, United Kingdom.
Tel: (0793) 518000
Fax: (0793) 518411

GEC PLESSEY SEMICONDUCTORS
P.O. Box 660017
1500 Green Hills Road,
Scotts Valley, California 95067-0017,
United States of America.
Tel: (408) 438 2900
Fax: (408) 438 5576

CUSTOMER SERVICE CENTRES

- **FRANCE & BENELUX** Les Ulis Cedex Tel: (1) 64 46 23 45 Tx: 602858F
Fax : (1) 64 46 06 07
 - **GERMANY** Munich Tel: (089) 3609 06-0 Tx: 523980 Fax : (089) 3609 06-55
 - **ITALY** Milan Tel: (02) 66040867 Fax: (02) 66040993
 - **JAPAN** Tokyo Tel: (03) 3296-0281 Fax: (03) 3296-0228
 - **NORTH AMERICA Integrated Circuits and Microwave Products** Scotts Valley, USA
Tel (408) 438 2900 Fax: (408) 438 7023.
Hybrid Products, Farmingdale, USA Tel (516) 293 8686
Fax: (516) 293 0061.
 - **SOUTH EAST ASIA** Singapore Tel: (65) 3827708 Fax: (65) 3828872
 - **SWEDEN** Stockholm, Tel: 46 8 702 97 70 Fax: 46 8 640 47 36
 - **UNITED KINGDOM & SCANDINAVIA**
Swindon Tel: (0793) 518510 Tx: 444410 Fax : (0793) 518582
- These are supported by Agents and Distributors in major countries world-wide.

© GEC Plessey Semiconductors 1993 Publication No. DS2275 Issue No. 2.1 June 1993

This publication is issued to provide information only which (unless agreed by the Company in writing) may not be used, applied or reproduced for any purpose nor form part of any order or contract nor to be regarded as a representation relating to the products or services concerned. No warranty or guarantee express or implied is made regarding the capability, performance or suitability of any product or service. The Company reserves the right to alter without prior knowledge the specification, design or price of any product or service. Information concerning possible methods of use is provided as a guide only and does not constitute any guarantee that such methods of use will be satisfactory in a specific piece of equipment. It is the user's responsibility to fully determine the performance and suitability of any equipment using such information and to ensure that any publication or data used is up to date and has not been superseded. These products are not suitable for use in any medical products whose failure to perform may result in significant injury or death to the user. All products and materials are sold and services provided subject to the Company's conditions of sale, which are available on request.