



## DESCRIPTION

The ES6218A Vibratto™S DVD processor is a super high-performance single-chip MPEG video decoding solution that is ideal for automotive DVD applications. The chip integrates CPRM and S/PDIF input and output support. The ES6218A performs audio/video stream data processing, TV encoding, Macrovision™ copy protection, DVD system navigation, system control, and housekeeping functions.

The Vibratto-S DVD processor is built on the ESS proprietary dual CPU Programmable Multimedia Processor (PMP) core consisting of 32-bit RISC and 64-bit DSP processors and offers the best DVD feature set. The processing units enable simultaneous parallel execution of system commands and data processing to perform specialized encoding and decoding tasks.

The RISC processor performs bit stream parsing, control audio data output, transfer video and audio data to the vector engine and service system control and housekeeping functions. The vector engine performs audio and video micro-code processing required by A/V standards, such as Dolby® Digital, DTS™ surround, MPEG and JPEG imaging. These processing tasks include video motion compensation and estimation, loop filtering, Discrete Cosine Transforms (DCT), inverse DCT, quantization, and inverse quantization.

The Vibratto-S DVD processor supports both parallel and serial DVD loader interfaces, industry standard I<sup>2</sup>S audio data input and output, EPROM and DRAM access, and audio/video data buffering. It also supports both letterbox and pan-and-scan displays, sub-picture overlay, and On-Screen Display (OSD).

The Vibratto-S DVD solution also offers support for Karaoke CD+G, HDCD, CD-DA, DVD-Audio, MP3, and WMA.

The ES6218A DVD processor is available in a 208-pin Low-profile Quad Flat Pack (LQFP) package with lead-free leads. The silicon is qualified for an extended temperature range of -40 to 85 °C for automotive applications.

## FEATURES

- Single-chip DVD processor.
- Integrated NTSC/PAL encoder with pixel-adaptive de-interlacer and three 10-bit 54 MHz video DACs.
- DVD-Video, DVD-VR, VCD 1.1 and 2.0.
- Media playback with CD-ROM, CD-R/RW, DVD-R/RW, DVD+R/RW, and DVD-RAM.
- Full DVD-Audio support including MLP and Linear PCM decoding, CPPM and watermark detection.
- Up to 7.1 channel audio outputs.
- Interface for IDE devices, A/V DVD loaders and flash.
- Interface for CF, MS, MMC, SD, and SM memory cards.
- Direct interface of 8-/16-bit DRAM up to 128-Mb capacity.
- Direct interface for up to 4 banks of 8-/16-bit EPROM or Flash EPROM for up to 4-MB for each bank.
- Macrovision 7.1 for NTSC/PAL interlaced video.
- Composite, S-video and RGB or YUV outputs.
- CCIR 656/601 YUV 4:2:2 input and output.
- On-Screen Display controller supports 256 colors in 8 degrees of transparency.
- Subpicture Unit (SPU) decoder supports karaoke lyric, subtitles, and EIA-608 compliant Line 21 Captioning.
- JPEG digital photo CD support (Kodak Picture CD™ and Fujifilm FujiColor CD™).
- ESS Music Slideshow™.
- Dolby Digital (AC-3), Dolby Pro Logic™, and Pro Logic II.
- DTS surround.
- S/PDIF digital audio input and output.
- MPEG AAC and Multichannel.
- SRS TruSurround® and TruSurround XT™.
- Windows™ Media Audio (WMA).
- Extended temperature range -40 to 85 °C ambient for automotive applications.
- Slave mode for control by host processor.
- Lead-free leads using 98%-Sn/2%-Cu or 98%-Sn/2%-Bi.



### ES6218A PINOUT DIAGRAM

The device pinout for the ES6218A is shown in Figure 1.

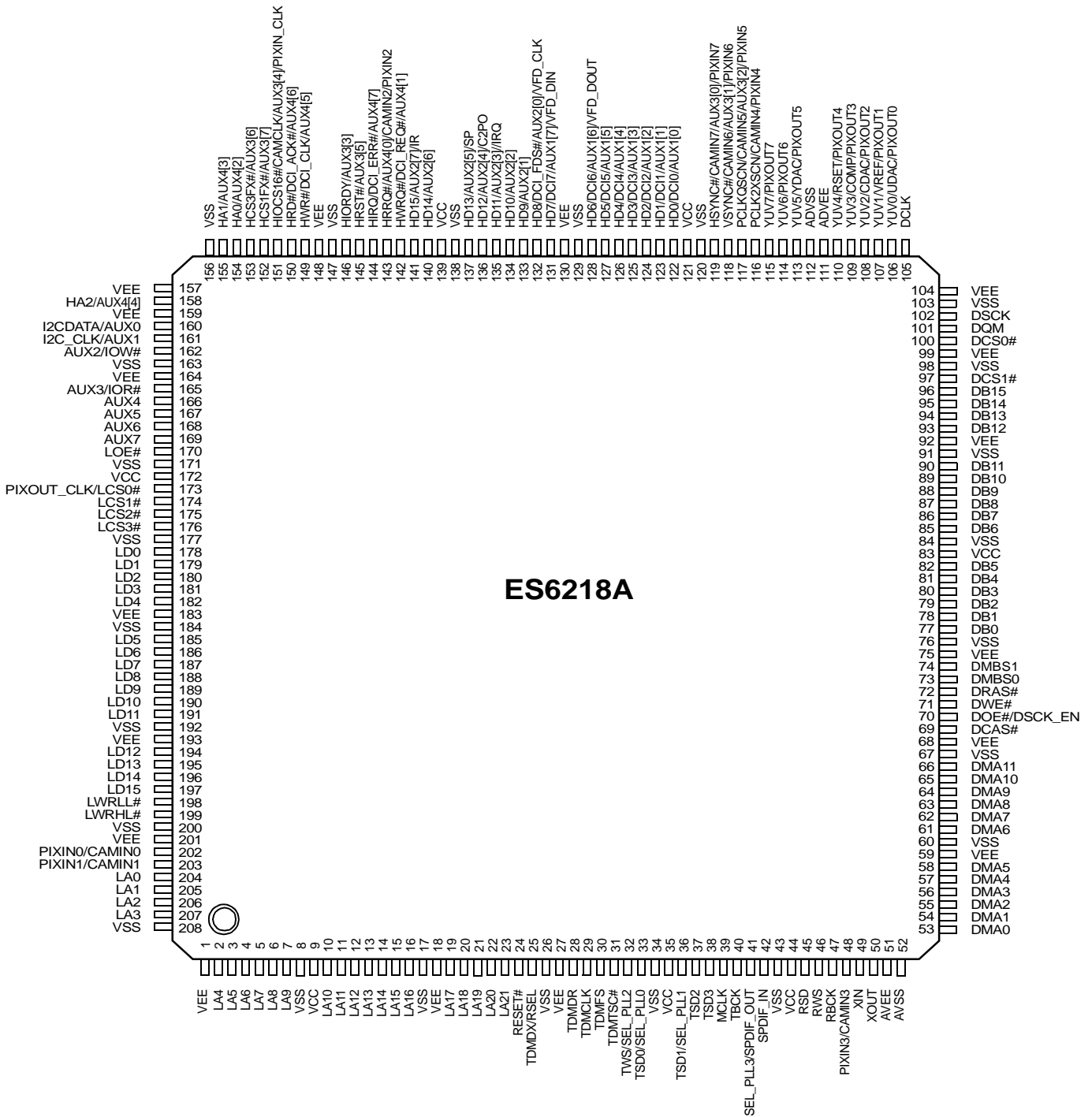


Figure 1 ES6218A Device Pinout



### ES6218A PIN DESCRIPTION

Table 1 lists the pin descriptions for the ES6218A.

Table 1 ES6218A Pin Description

Name	Pin Numbers	I/O	Definition																																			
VEE	1,18, 27, 59, 68, 75, 92, 99, 104, 130, 148, 157, 159, 164, 183, 193, 201	P	I/O power supply.																																			
LA[21:0]	2-7, 10-16, 19-23, 204-207	O	RISC port address bus.																																			
VSS	8, 17, 26, 34, 43, 60, 67, 76, 84, 91, 98, 103, 120, 129, 138, 147, 156, 163, 171, 177, 184, 192, 200, 208	G	Ground.																																			
VCC	9, 35, 44, 83, 121, 139, 172	P	Core power supply.																																			
RESET#	24	I	Reset input.																																			
TDMDX	25	O	TDM transmit data output.																																			
RSEL		I	LCS3 ROM Boot Data Width Select. Strapped to VCC or ground via 4.7-kΩ resistor; read only during reset. <table border="1" style="margin-left: 20px;"> <thead> <tr> <th>RSEL</th> <th>Selection</th> </tr> </thead> <tbody> <tr> <td>0</td> <td>16-bit ROM</td> </tr> <tr> <td>1</td> <td>8-bit ROM</td> </tr> </tbody> </table>	RSEL	Selection	0	16-bit ROM	1	8-bit ROM																													
RSEL	Selection																																					
0	16-bit ROM																																					
1	8-bit ROM																																					
TDMDR	28	I	TDM receive data input.																																			
TDMCLK	29	I	TDM clock input.																																			
TDMFS	30	I	TDM frame sync input.																																			
TDMTSC#	31	O	TDM output enable.																																			
TWS	32	O	Audio transmit frame sync output.																																			
SEL_PLL2		I	System and DSCK output clock frequency selection is made at the rising edge of RESET#. The matrix below lists the available clock frequencies and their respective PLL bit settings. Strapped to VCC or ground via 4.7-kΩ resistor; read only during reset. <table border="1" style="margin-left: 20px;"> <thead> <tr> <th>SEL_PLL2</th> <th>SEL_PLL1</th> <th>SEL_PLL0</th> <th>PLL Settings</th> </tr> </thead> <tbody> <tr> <td>0</td> <td>0</td> <td>0</td> <td>DCLK × 4.5</td> </tr> <tr> <td>0</td> <td>0</td> <td>1</td> <td>DCLK × 5.0</td> </tr> <tr> <td>0</td> <td>1</td> <td>0</td> <td>Bypass</td> </tr> <tr> <td>0</td> <td>1</td> <td>1</td> <td>DCLK × 4.0</td> </tr> <tr> <td>1</td> <td>0</td> <td>0</td> <td>DCLK × 4.25</td> </tr> <tr> <td>1</td> <td>0</td> <td>1</td> <td>DCLK × 4.75</td> </tr> <tr> <td>1</td> <td>1</td> <td>0</td> <td>DCLK × 5.5</td> </tr> <tr> <td>1</td> <td>1</td> <td>1</td> <td>DCLK × 6.0</td> </tr> </tbody> </table>	SEL_PLL2	SEL_PLL1	SEL_PLL0	PLL Settings	0	0	0	DCLK × 4.5	0	0	1	DCLK × 5.0	0	1	0	Bypass	0	1	1	DCLK × 4.0	1	0	0	DCLK × 4.25	1	0	1	DCLK × 4.75	1	1	0	DCLK × 5.5	1	1	1
SEL_PLL2	SEL_PLL1	SEL_PLL0	PLL Settings																																			
0	0	0	DCLK × 4.5																																			
0	0	1	DCLK × 5.0																																			
0	1	0	Bypass																																			
0	1	1	DCLK × 4.0																																			
1	0	0	DCLK × 4.25																																			
1	0	1	DCLK × 4.75																																			
1	1	0	DCLK × 5.5																																			
1	1	1	DCLK × 6.0																																			



Table 1 ES6218A Pin Description (Continued)

Name	Pin Numbers	I/O	Definition					
TSD0	33	O	Audio transmit serial data output 0.					
SEL_PLL0		I	Refer to the description and matrix for SEL_PLL2 pin 32.					
TSD1	36	O	Audio transmit serial data output 1.					
SEL_PLL1		I	Refer to the description and matrix for SEL_PLL2 pin 32.					
TSD2	37	O	Audio transmit serial data output 2. This pin must be pulled down to VSS via a 4.7-kΩ resistor for proper operation.					
TSD3	38	O	Audio transmit serial data output 3.					
MCLK	39	I/O	Audio master clock for audio DAC.					
TBCK	40	I/O	Audio transmit bit clock. TBCK is an input during reset and subsequently is programmed as an output via the AUDIOXMT register (addr 0x2000D00Ch, bit 4).					
SPDIF_OUT	41	O	S/PDIF output.					
SEL_PLL3		I	Clock source select. Strapped to VCC or ground via 4.7-kΩ resistor; read only during reset. <table border="1" style="margin-left: 20px;"> <thead> <tr> <th>SEL_PLL3</th> <th>Clock Source</th> </tr> </thead> <tbody> <tr> <td>0</td> <td>Crystal oscillator</td> </tr> <tr> <td>1</td> <td>DCLK input</td> </tr> </tbody> </table>	SEL_PLL3	Clock Source	0	Crystal oscillator	1
SEL_PLL3	Clock Source							
0	Crystal oscillator							
1	DCLK input							
SPDIF_IN	42	I	S/PDIF input.					
RSD	45	I	Audio receive serial data.					
RWS	46	I	Audio receive frame sync.					
RBCK	47	I	Audio receive bit clock.					
CAMIN3	48	I	Camera YUV 3.					
PIXIN3		I	CCIR656 input pixel 3.					
XIN	49	I	27-MHz crystal input.					
XOUT	50	O	27-MHz crystal output.					
AVEE	51	P	Analog power for PLL.					
AVSS	52	G	Analog ground for PLL.					
DMA[11:0]	53-58, 61-66	O	DRAM address bus.					
DCAS#	69	O	DRAM column address strobe.					
DOE#	70	O	DRAM output enable.					
DSCK_EN		O	DRAM clock enable.					
DWE#	71	O	DRAM write enable.					
DRAS#	72	O	DRAM row address strobe.					
DMBS0	73	O	DRAM bank select 0.					
DMBS1	74	O	DRAM bank select 1.					
DB[15:0]	77-82, 85-90, 93-96	I/O	DRAM data bus.					
DCS[1:0]#	97,100	O	DRAM chip select.					
DQM	101	O	Data input/output mask.					
DSCK	102	O	Output clock to DRAM.					



Table 1 ES6218A Pin Description (Continued)

Name	Pin Numbers	I/O	Definition																																																																
DCLK	105	I	Clock input to PLL.																																																																
UDAC	106	O	Video DAC output. <table border="1" style="margin-left: 20px;"> <thead> <tr> <th>Value</th> <th>Y DAC (pin 113)</th> <th>C DAC (pin 108)</th> <th>U DAC (pin 106)</th> </tr> </thead> <tbody> <tr><td>0</td><td>Y</td><td>C</td><td>N/A</td></tr> <tr><td>1</td><td>Y</td><td>C</td><td>CVBS2</td></tr> <tr><td>2</td><td>Y</td><td>C</td><td>N/A</td></tr> <tr><td>3</td><td>N/A</td><td>N/A</td><td>CVBS2</td></tr> <tr><td>4</td><td>N/A</td><td>N/A</td><td>N/A</td></tr> <tr><td>5</td><td>Y</td><td>Pb</td><td>Pr</td></tr> <tr><td>6</td><td>Y</td><td>Pb</td><td>Pr</td></tr> <tr><td>7</td><td>G</td><td>B</td><td>R</td></tr> <tr><td>8</td><td>Y</td><td>Pb</td><td>Pr</td></tr> <tr><td>9</td><td>G</td><td>B</td><td>R</td></tr> <tr><td>10</td><td>G</td><td>R</td><td>B</td></tr> <tr><td>11</td><td>G</td><td>R</td><td>B</td></tr> <tr><td>12</td><td>Y</td><td>Pr</td><td>Pb</td></tr> <tr><td>13</td><td>Y</td><td>Pr</td><td>Pb</td></tr> <tr><td>14</td><td>G</td><td>R</td><td>B</td></tr> </tbody> </table> <p style="margin-left: 20px;">Y: Luma component for YUV and Y/C processing.                      C: Chrominance signal for Y/C processing.                      U: Chrominance component signal for YUV mode.</p>	Value	Y DAC (pin 113)	C DAC (pin 108)	U DAC (pin 106)	0	Y	C	N/A	1	Y	C	CVBS2	2	Y	C	N/A	3	N/A	N/A	CVBS2	4	N/A	N/A	N/A	5	Y	Pb	Pr	6	Y	Pb	Pr	7	G	B	R	8	Y	Pb	Pr	9	G	B	R	10	G	R	B	11	G	R	B	12	Y	Pr	Pb	13	Y	Pr	Pb	14	G	R	B
Value		Y DAC (pin 113)	C DAC (pin 108)	U DAC (pin 106)																																																															
0		Y	C	N/A																																																															
1		Y	C	CVBS2																																																															
2		Y	C	N/A																																																															
3		N/A	N/A	CVBS2																																																															
4		N/A	N/A	N/A																																																															
5		Y	Pb	Pr																																																															
6		Y	Pb	Pr																																																															
7		G	B	R																																																															
8		Y	Pb	Pr																																																															
9		G	B	R																																																															
10		G	R	B																																																															
11		G	R	B																																																															
12		Y	Pr	Pb																																																															
13	Y	Pr	Pb																																																																
14	G	R	B																																																																
YUV0		O	YUV pixel 0 output data.																																																																
PIXOUT0		O	CCIR656 output pixel 0.																																																																
YUV1	107	O	YUV pixel 1 output data.																																																																
VREF		I	Internal voltage reference to video DAC. Bypass to ground with 0.1-μF capacitor.																																																																
PIXOUT1		O	CCIR656 output pixel 1.																																																																
YUV2	108	O	YUV pixel 2 output data.																																																																
CDAC		O	Video DAC output. Refer to description and matrix for UDAC pin 106.																																																																
PIXOUT2		O	CCIR656 output pixel 2.																																																																
YUV3	109	O	YUV pixel 3 output data.																																																																
COMP		I	Compensation input. Bypass to ADVEE with 0.1-μF capacitor.																																																																
PIXOUT3		O	CCIR656 output pixel 3.																																																																
YUV4	110	O	YUV pixel 4 output data.																																																																
RSET		I	DAC current adjustment resistor input.																																																																
PIXOUT4		O	CCIR656 output pixel 4.																																																																



Table 1 ES6218A Pin Description (Continued)

Name	Pin Numbers	I/O	Definition
ADVEE	111	P	Analog power for video DAC.
ADVSS	112	G	Analog ground for video DAC.
YUV5	113	O	YUV pixel 5 output data.
YDAC		O	Video DAC output. Refer to description and matrix for UDAC, pin 106.
PIXOUT5		O	CCIR656 output pixel 5.
YUV6	114	O	YUV pixel 6 output data.
PIXOUT6		O	CCIR656 output pixel 6.
YUV7	115	O	YUV pixel 7 output data.
PIXOUT7		O	CCIR656 output pixel 7.
PCLK2XSCN	116	I/O	27-MHz video output pixel clock.
CAMIN4		I	Camera YUV 4.
PIXIN4		I	CCIR656 input pixel 4.
PCLKQSCN	117	O	13.5-MHz video output pixel clock.
CAMIN5		I	Camera YUV 5.
PIXIN5		I	CCIR656 input pixel 5.
AUX3[2]		I/O	Aux3 data I/O.
VSYNC#	118	I/O	Vertical sync.
CAMIN6		I	Camera YUV 6.
PIXIN6		I	CCIR656 input pixel 6.
AUX3[1]		I/O	Aux3 data I/O.
HSYNC#	119	I/O	Horizontal sync.
CAMIN7		I	Camera YUV 7.
PIXIN7		I	CCIR656 input pixel 7.
AUX3[0]		I/O	Aux3 data I/O.
HD[5:0]	122-127	I/O	Host data bus lines 5:0.
DCI[5:0]		I/O	DVD channel data I/O.
AUX1[5:0]		I/O	Aux1 data I/O.
HD6	128	I/O	Host data bus line 6.
DCI6		I/O	DVD channel data I/O.
AUX1[6]		I/O	Aux1 data I/O.
VFD_DOUT		I	VFD data output.
HD7	131	I/O	Host data bus line 7.
DCI7		I/O	DVD channel data I/O.
AUX1[7]		I/O	Aux1 data I/O.
VFD_DIN		I	VFD data input.



Table 1 ES6218A Pin Description (Continued)

Name	Pin Numbers	I/O	Definition
HD8	132	I/O	Host data bus line 8.
DCI_FDS#		I/O	DVD input sector start.
AUX2[0]		I/O	Aux2 data I/O.
VFD_CLK		I	VFD clock input.
HD9	133	I/O	Host data bus line 9.
AUX2[1]		I/O	Aux2 data I/O.
HD10	134	I/O	Host data bus line 10.
AUX2[2]		I/O	Aux2 data I/O.
HD11	135	I/O	Host data bus line 11.
AUX2[3]		I/O	Aux2 data I/O.
IRQ		O	IRQ.
HD12	136	I/O	Host data bus line 12.
AUX2[4]		I/O	Aux2 data I/O.
C2PO		I	C2PO error correction flag from CD-ROM.
HD13	137	I/O	Host data bus line 13.
AUX2[5]		I/O	Aux2 data I/O.
SP		I	16550 UART serial port input.
HD14	140	I/O	Host data bus line 14.
AUX2[6]		I/O	Aux2 data I/O.
HD15	141	I/O	Host data bus line 15.
AUX2[7]		I/O	Aux2 data I/O.
IR		I	IR remote control input.
HWRQ#	142	O	Host write request.
DCI_REQ#		O	DVD control interface request.
AUX4[1]		I/O	Aux4 data I/O.
HRRQ#	143	O	Host read request.
AUX4[0]		I/O	Aux4 data I/O.
CAMIN2		I	Camera YUV 2.
PIXIN2		I	CCIR656 input pixel 2.
HIRQ	144	I/O	Host interrupt request.
DCI_ERR#		I/O	DVD channel data error.
AUX4[7]		I/O	Aux4 data I/O.
HRST#	145	O	Host reset.
AUX3[5]		I/O	Aux3 data I/O.
HIORDY	146	I	Host I/O ready.
AUX3[3]		I/O	Aux3 data I/O.



Table 1 ES6218A Pin Description (Continued)

Name	Pin Numbers	I/O	Definition
HWR#	149	I/O	Host write.
DCI_CLK		I/O	DVD channel data clock.
AUX4[5]		I/O	Aux4 data I/O.
HRD#	150	O	Host read.
DCI_ACK#		O	DVD channel data valid.
AUX4[6]		I/O	Aux4 data I/O.
HIOCS16#	151	I	Device 16-bit data transfer.
CAMCLK		I	Camera port pixel clock input.
PIXIN_CLK		I	CCIR656 input pixel clock.
AUX3[4]		I/O	Aux3 data I/O.
HCS1FX#	152	O	Host select 1.
AUX3[7]		I/O	Aux3 data I/O.
HCS3FX#	153	O	Host select 3.
AUX3[6]		I/O	Aux3 data I/O.
HA[2:0]	154, 155, 158	I/O	Host address bus.
AUX4[4:2]		I/O	Aux4 data I/Os.
AUX0	160	I/O	Auxiliary port 0 (open collector).
I2CDATA		I/O	I <sup>2</sup> C data I/O.
AUX1	161	I/O	Auxiliary port 1 (open collector).
I2C_CLK		I/O	I <sup>2</sup> C clock I/O.
AUX2	162	I/O	Auxiliary port 2.
IOW#		O	I/O Write strobe (LCS1).
AUX3	165	I/O	Auxiliary port 3.
IOR#		O	I/O Read strobe (LCS1).
AUX4-7	166-169	I/O	Auxiliary ports 4-7.
LOE#	170	O	RISC port output enable.
LCS0#	173	O	RISC port chip select 0.
PIXOUT_CLK		O	CCIR656 output pixel clock.
LCS[3:1]#	174-176	O	RISC port chip select [3:1].
LD[15:0]	178-182, 185-191, 194-197	I/O	RISC port data bus.
LWRLL#	198	O	RISC port low-byte write enable.
LWRHL#	199	O	RISC port high-byte write enable.
CAMIN0	202	I	Camera YUV 0.
PIXIN0		I	CCIR656 input pixel 0.
CAMIN1	203	I	Camera YUV 1.
PIXIN1		I	CCIR656 input pixel 1.





## SYSTEM BLOCK DIAGRAM

A sample system block diagram for the ES6218A Vibratto-S DVD player board design is shown in Figure 2.

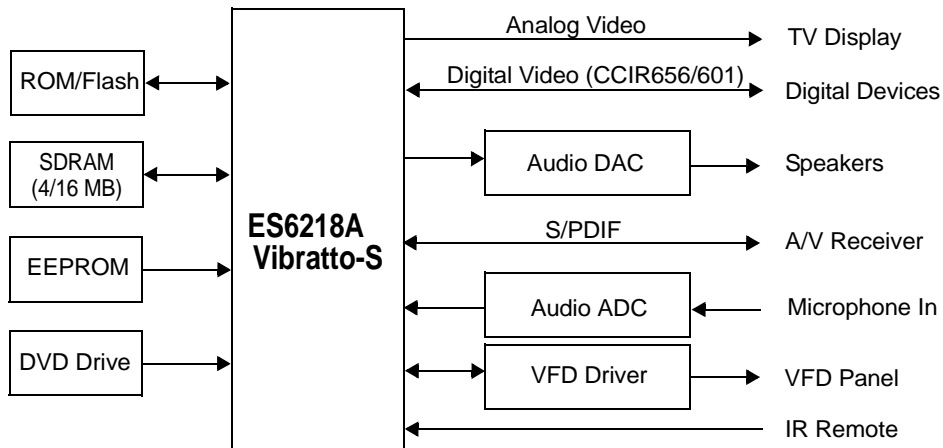


Figure 2 ES6218A Vibratto-S System Block Diagram

## FUNCTIONAL DESCRIPTION

Figure 3 shows the internal block diagram for the ES6218A Vibratto-S DVD processor.

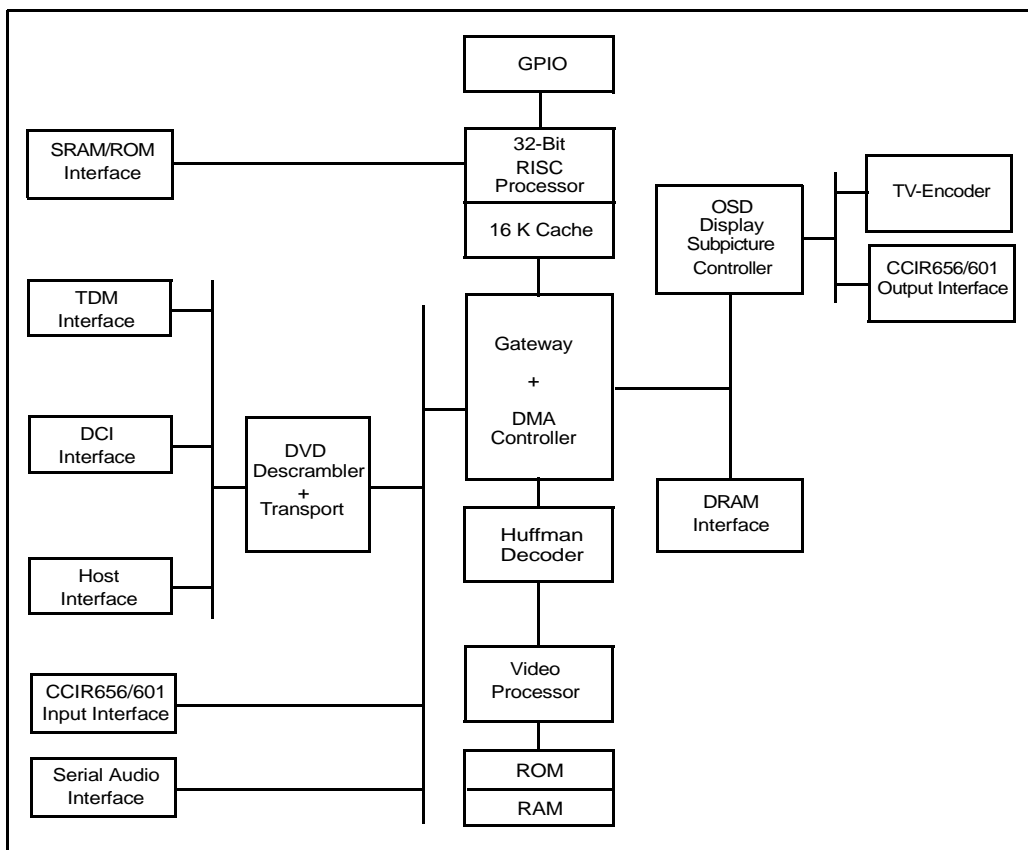


Figure 3 ES6218A Vibratto-S Block Diagram

## ORDERING INFORMATION

Part Number	Description	Package
ES6218SAF	Vibratto-S DVD, Progressive Scan, DVD-Audio, and TV encoder, with lead-free leads	208-pin LQFP

The letters S and F at the end of the part number identify the package type LQFP and lead-free leads.



**ESS Technology, Inc.**  
**48401 Fremont Blvd.**  
**Fremont, CA 94538**  
**Tel: (510) 492-1088**  
**Fax: (510) 492-1898**

No part of this publication may be reproduced, stored in a retrieval system, transmitted, or translated in any form or by any means, electronic, mechanical, manual, optical, or otherwise, without the prior written permission of ESS Technology, Inc.

ESS Technology, Inc. makes no representations or warranties regarding the content of this document.

All specifications are subject to change without prior notice.

ESS Technology, Inc. assumes no responsibility for any errors contained herein.

U.S. patents pending.

MPEG is the Moving Picture Experts Group of the ISO/IEC. References to MPEG in this document refer to the ISO/IEC JTC1 SC29 committee draft ISO 11172 dated January 9, 1992.

Vibratto, SmartBright, SmartLogo, SmartColor, and Music Slideshow are trademarks of ESS Technology, Inc.

Dolby is a trademark of Dolby Laboratories, Inc.

Trusurround, Trusurround XT, SRS, and (o) symbol are trademarks of SRS Labs., Inc.

All other trademarks are trademarks of their respective companies and are used for identification purposes only.