

## T1/E1 Line Interface

### Features

- Provides Analog Transmission Line Interface for T1 and E1 Applications
- Provides Line Driver, Jitter Attenuator and Clock Recovery Functions
- Fully Compliant with AT&T 62411 Stratum 4 Jitter Requirements
- Low Power Consumption (typically 175 mW)
- B8ZS/HDB3/AMI Encoder/Decoder
- 14 dB of Transmitter Return Loss

### General Description

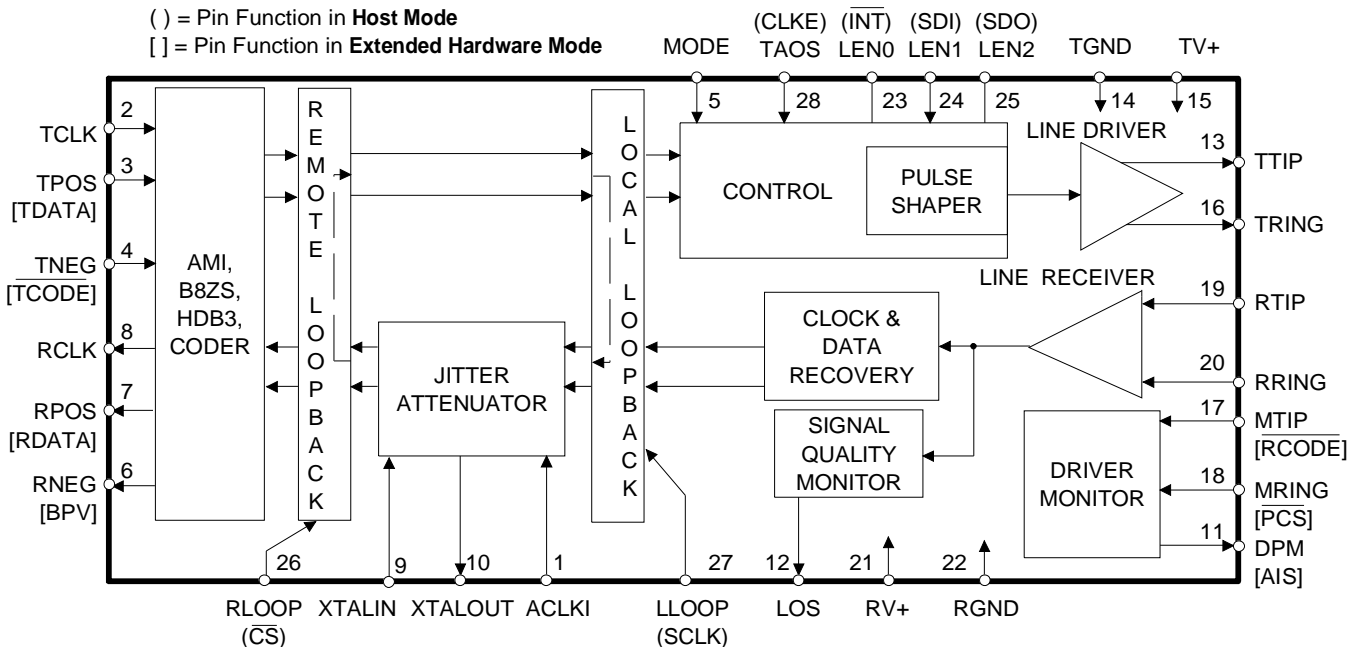
The CS61574A and CS61575 combine the complete analog transmit and receive line interface for T1 or E1 applications in a low power, 28-pin device operating from a +5V supply. Both devices support processor-based or stand-alone operation and interface with industry standard T1 and E1 framers.

The receiver uses a digital Delay-Locked-Loop which is continuously calibrated from a crystal reference to provide excellent stability and jitter tolerance. The CS61574A has a receiver jitter attenuator optimized for minimum delay in switching and transmission applications, while the CS61575 attenuator is optimized for CPE applications subject to AT&T 62411 requirements. The transmitter features internal pulse shaping and a matched, constant impedance output stage to insure signal quality on mismatched, poorly terminated lines.

### Applications

- Interfacing Network Equipment such as DACS and Channel Banks to a DSX-1 Cross Connect
- Interfacing Customer Premises Equipment to a CSU
- Building Channel Service Units

**ORDERING INFORMATION** - See page 26.



## ABSOLUTE MAXIMUM RATINGS

| Parameter                               | Symbol           | Min      | Max         | Units |
|---|------------------|----------|-------------|-------|
| DC Supply (referenced to RGND, TGND=0V) | RV+              | -        | 6.0         | V     |
|   | TV+              | -        | (RV+) + 0.3 | V     |
| Input Voltage, Any Pin (Note 1)         | V <sub>in</sub>  | RGND-0.3 | (RV+) + 0.3 | V     |
| Input Current, Any Pin (Note 2)         | I <sub>in</sub>  | -10      | 10          | mA    |
| Ambient Operating Temperature           | T <sub>A</sub>   | -40      | 85          | °C    |
| Storage Temperature                     | T <sub>stg</sub> | -65      | 150         | °C    |

WARNING: Operations at or beyond these limits may result in permanent damage to the device.

Normal operation is not guaranteed at these extremes.

Notes: 1. Excluding RTIP, RRING, which must stay within -6V to (RV+) + 0.3V.

2. Transient currents of up to 100 mA will not cause SCR latch-up. Also TTIP, TRING, TV+ and TGND can withstand a continuous current of 100 mA.

## RECOMMENDED OPERATING CONDITIONS

| Parameter                     | Symbol         | Min  | Typ | Max  | Units |
|-------------------------------|----------------|------|-----|------|-------|
| DC Supply (Note 3)            | RV+, TV+       | 4.75 | 5.0 | 5.25 | V     |
| Ambient Operating Temperature | T <sub>A</sub> | -40  | 25  | 85   | °C    |
| Power Consumption (Notes 4,5) | P <sub>C</sub> | -    | 290 | 350  | mW    |
| Power Consumption (Notes 4,6) | P <sub>C</sub> | -    | 175 | -    | mW    |

Notes: 3. TV+ must not exceed RV+ by more than 0.3V.

4. Power consumption while driving line load over operating temperature range. Includes IC and load. Digital input levels are within 10% of the supply rails and digital outputs are driving a 50 pF capacitive load.

5. Assumes 100% ones density and maximum line length at 5.25V.

6. Assumes 50% ones density and 300ft. line length at 5.0V.

## DIGITAL CHARACTERISTICS (T<sub>A</sub> = -40°C to 85°C; TV+, RV+ = 5.0V ±5%; GND = 0V)

| Parameter  | Symbol          | Min         | Typ | Max | Units |
|--|-----------------|-------------|-----|-----|-------|
| High-Level Input Voltage (Notes 7, 8)<br>PINS 1-4, 17, 18, 23-28                               | V <sub>IH</sub> | 2.0         | -   | -   | V     |
| Low-Level Input Voltage (Notes 7, 8)<br>PINS 1-4, 17, 18, 23-28                                | V <sub>IL</sub> | -           | -   | 0.8 | V     |
| High-Level Output Voltage (Notes 7, 8, 9)<br>I <sub>OUT</sub> = -40 μA PINS 6-8, 11, 12, 25    | V <sub>OH</sub> | 4.0         | -   | -   | V     |
| Low-Level Output Voltage (Notes 7, 8, 9)<br>I <sub>OUT</sub> = 1.6 mA PINS 6-8, 11, 12, 23, 25 | V <sub>OL</sub> | -           | -   | 0.4 | V     |
| Input Leakage Current (Except Pin 5)   |                 | -           | -   | ±10 | μA    |
| Low-Level Input Voltage, PIN 5   | V <sub>IL</sub> | -           | -   | 0.2 | V     |
| High-Level Input Voltage, PIN 5  | V <sub>IH</sub> | (RV+) - 0.2 | -   | -   | V     |
| Mid-Level Input Voltage, PIN 5 (Note 10)   | V <sub>IM</sub> | 2.3         | -   | 2.7 | V     |

Notes: 7. In Extended Hardware Mode, pins 17 and 18 are digital inputs. In Host Mode, pin 23 is an open drain output and pin 25 is a tristate output.

8. This specification guarantees TTL compatibility (V<sub>OH</sub> = 2.4V @ I<sub>OUT</sub> = -40μA).

9. Output drivers will drive CMOS logic levels into a CMOS load.

10. As an alternative to supplying a 2.3-to-2.7V input, this pin may be left floating.

**ANALOG SPECIFICATIONS** (TA = -40°C to 85°C; TV+, RV+ = 5.0V ±5%; GND = 0V)

| Parameter  | Min    | Typ   | Max   | Units  |
|--|--------|-------|-------|--------|
| <b>Transmitter</b>   |        |       |       |        |
| AMI Output Pulse Amplitudes (Note 11)  |        |       |       |        |
| E1, 75 Ω (Note 12)   | 2.14   | 2.37  | 2.6   | V      |
| E1, 120 Ω (Note 13)  | 2.7    | 3.0   | 3.3   | V      |
| T1, FCC Part 68 (Note 14)  | 2.7    | 3.0   | 3.3   | V      |
| T1, DSX-1 (Note 15)  | 2.4    | 3.0   | 3.6   | V      |
| E1 Zero (space) level (LEN2/1/0 = 0/0/0)   |        |       |       |        |
| 1:1 transformer and 75Ω load   | -0.237 | -     | 0.237 | V      |
| 1:1.26 transformer and 120Ω load   | -0.3   | -     | 0.3   | V      |
| Recommended Output Load at TTIP and TRING  | -      | 75    | -     | Ω      |
| Jitter Added During Remote Loopback (Note 16)  |        |       |       |        |
| 10Hz - 8kHz  | -      | 0.005 | 0.02  | UI     |
| 8kHz - 40kHz   | -      | 0.008 | 0.025 | UI     |
| 10Hz - 40kHz   | -      | 0.010 | 0.025 | UI     |
| Broad Band   | -      | 0.015 | 0.05  | UI     |
| Power in 2kHz band about 772kHz (Notes 11, 17)   | 12.6   | 15    | 17.9  | dBm    |
| Power in 2kHz band about 1.544MHz (Notes 11, 17)<br>(referenced to power in 2kHz band at 772kHz) | -29    | -38   | -     | dB     |
| Positive to Negative Pulse Imbalance (Notes 11, 17)  |        |       |       |        |
| T1, DSX-1  | -      | 0.2   | 0.5   | dB     |
| E1 amplitude at center of pulse  | -5     | -     | 5     | %      |
| E1 pulse width at 50% of nominal amplitude   | -5     | -     | 5     | %      |
| Transmitter Return Loss (Notes 11, 17, 18)   |        |       |       |        |
| 51 kHz to 102 kHz  | 8      | -     | -     | dB     |
| 102 kHz to 2.048 MHz   | 14     | -     | -     | dB     |
| 2.048 MHz to 3.072 MHz   | 10     | -     | -     | dB     |
| Transmitter Short Circuit Current (Notes 11, 19)   | -      | -     | 50    | mA RMS |
| <b>Driver Performance Monitor</b>  |        |       |       |        |
| MTIP/MRING Sensitivity:<br>Differential Voltage Required for Detection                           | -      | 0.6   | -     | V      |

- Notes: 11. Using a 0.47 μF capacitor in series with the primary of a transformer recommended in the Applications section.
12. Pulse amplitude measured at the output of a 1:1 or 1:1.26 transformer across a 75 Ω load for line length setting LEN2/1/0 = 0/0/0.
13. Pulse amplitude measured at the output of a 1:1.26 transformer across a 120 Ω load for line length setting LEN2/1/0 = 0/0/0.
14. Pulse amplitude measured at the output of a 1:1.15 transformer across a 100 Ω load for line length setting LEN2/1/0 = 0/1/0.
15. Pulse amplitude measured at the DSX-1 cross-connect across a 100 Ω load for line length settings LEN2/1/0 = 0/1/1, 1/0/0, 1/0/1, 1/1/0, or 1/1/1 using a 1:1.15 transformer and the length of #22 AWG, ABAM, or equivalent cable specified in Table 3.
16. Input signal to RTIP/RRING is jitter free. Values will reduce slightly if jitter free clock is input to TCLK.
17. Not production tested. Parameters guaranteed by design and characterization.
18. Return loss =  $20 \log_{10} \text{ABS}((z_1 + z_0)/(z_1 - z_0))$  where  $z_1$  = impedance of the transmitter, and  $z_0$  = impedance of line load. Measured with a repeating 1010 data pattern with LEN2/1/0 = 0/0/0 and a 1:1 transformer terminated with a 75Ω load, or a 1:1.26 transformer terminated with a 120Ω load.
19. Measured broadband through a 0.5 Ω resistor across the secondary of a 1:1.26 transformer during the transmission of an all ones data pattern for LEN2/1/0 = 0/0/0.

**ANALOG SPECIFICATIONS** (TA = -40°C to 85°C; TV+, RV+ = 5.0V ±5%; GND = 0V)

| Parameter                                 | Min          | Typ    | Max    | Units     |
|---|--------------|--------|--------|-----------|
| <b>Receiver</b>                           |              |        |        |           |
| RTIP/RRING Input Impedance                | -            | 50k    | -      | Ω         |
| Sensitivity Below DSX (0dB = 2.4V)        | -13.6<br>500 | -<br>- | -<br>- | dB<br>mV  |
| Data Decision Threshold                   |              |        |        |           |
| T1, DSX-1 (Note 20)                       | 60           | 65     | 70     | % of peak |
| T1, DSX-1 (Note 21)                       | 53           | 65     | 77     | % of peak |
| T1, FCC Part 68 and E1 (Note 22)          | 45           | 50     | 55     | % of peak |
| Allowable Consecutive Zeros before LOS    | 160          | 175    | 190    | bits      |
| Receiver Input Jitter Tolerance (Note 23) |              |        |        |           |
| 10kHz - 100kHz                            | 0.4          | -      | -      | UI        |
| 2kHz                                      | 6.0          | -      | -      | UI        |
| 10Hz and below                            | 300          | -      | -      | UI        |
| Loss of Signal Threshold (Note 24)        | 0.25         | 0.30   | 0.50   | V         |

Notes: 20. For input amplitude of 1.2 V<sub>pk</sub> to 4.14 V<sub>pk</sub>.

21. For input amplitude of 0.5 V<sub>pk</sub> to 1.2 V<sub>pk</sub> and from 4.14 V<sub>pk</sub> to RV+.

22. For input amplitude of 1.05 V<sub>pk</sub> to 3.3 V<sub>pk</sub>.

23. Jitter tolerance increases at lower frequencies. See Figure 11.

24. The analog input squelch circuit shall operate when the input signal amplitude above ground on the RTIP and RRING pins falls within the range of 0.25V to 0.50V. Operation of the squelch results in the recovery of zeros. During receive LOS, the RPOS, RNEG or RDATA outputs are forced low.

**ANALOG SPECIFICATIONS** (TA = -40°C to 85°C; TV+, RV+ = 5.0V ±5%; GND = 0V)

| Parameter  | Min | Typ | Max | Units |
|--|-----|-----|-----|-------|
| <b>Jitter Attenuator</b>                                 |     |     |     |       |
| Jitter Attenuation Curve Corner Frequency (Notes 17, 25) |     |     |     |       |
| CS61574A   | -   | 6   | -   | Hz    |
| CS61575  | -   | 3   | -   | Hz    |
| CS61574A T1 Receiver Jitter Transfer (Notes 25, 26)      |     |     |     |       |
| Jitter Freq. [Hz]  |     |     |     |       |
| 10   | 3.0 | 6.0 | -   | dB    |
| 100  | 20  | 30  | -   | dB    |
| 500  | 35  | 40  | -   | dB    |
| 1k   | 40  | 50  | -   | dB    |
| 10k, 40k   | 40  | 50  | -   | dB    |
| Amplitude [UIpp]   |     |     |     |       |
| 10   |     |     |     |       |
| 100  |     |     |     |       |
| 500  |     |     |     |       |
| 1k   |     |     |     |       |
| 10k, 40k   |     |     |     |       |
| CS61575 T1 Receiver Jitter Transfer (Notes 25, 26)       |     |     |     |       |
| Jitter Freq. [Hz]  |     |     |     |       |
| 10   | 6.0 | 9.0 | -   | dB    |
| 100  | 23  | 33  | -   | dB    |
| 500  | 38  | 43  | -   | dB    |
| 1k   | 40  | 50  | -   | dB    |
| 10k, 40k   | 40  | 50  | -   | dB    |
| Amplitude [UIpp]   |     |     |     |       |
| 10   |     |     |     |       |
| 100  |     |     |     |       |
| 500  |     |     |     |       |
| 1k   |     |     |     |       |
| 10k, 40k   |     |     |     |       |
| CS61574A E1 Receiver Jitter Transfer (Notes 26, 27, 28)  |     |     |     |       |
| Jitter Freq. [Hz]  |     |     |     |       |
| 10   | 3.0 | 6.0 | -   | dB    |
| 20   | 6.0 | 12  | -   | dB    |
| 100  | 20  | 32  | -   | dB    |
| 400  | 30  | 40  | -   | dB    |
| 1k   | 35  | 45  | -   | dB    |
| 10k, 100k  | 35  | 45  | -   | dB    |
| Amplitude [UIpp]   |     |     |     |       |
| 1.5  |     |     |     |       |
| 1.5  |     |     |     |       |
| 1.5  |     |     |     |       |
| 1.5  |     |     |     |       |
| 1.5  |     |     |     |       |
| 0.2  |     |     |     |       |
| CS61575 E1 Receiver Jitter Transfer (Notes 26, 27, 28)   |     |     |     |       |
| Jitter Freq. [Hz]  |     |     |     |       |
| 10   | 6.0 | 12  | -   | dB    |
| 20   | 12  | 18  | -   | dB    |
| 100  | 22  | 29  | -   | dB    |
| 400  | 30  | 39  | -   | dB    |
| 1k   | 35  | 45  | -   | dB    |
| 10k, 100k  | 35  | 45  | -   | dB    |
| Amplitude [UIpp]   |     |     |     |       |
| 1.5  |     |     |     |       |
| 1.5  |     |     |     |       |
| 1.5  |     |     |     |       |
| 1.5  |     |     |     |       |
| 1.5  |     |     |     |       |
| 0.2  |     |     |     |       |
| Attenuator Input Jitter Tolerance (Notes 17, 28)         |     |     |     |       |
| (Before Onset of FIFO Overflow or Underflow Protection)  |     |     |     |       |
| CS61574A   | 12  | 23  | -   | UI    |
| CS61575  | 138 | -   | -   | UI    |

- Notes: 25. Attenuation measured at the demodulator output of an HP3785B with input jitter equal to 3/4 of measured jitter tolerance using a measurement bandwidth of 1 Hz (10<f<100Hz), 4Hz (100<f<1000 Hz) and 10 Hz (f> 1kHz) centered around the jitter frequency. With a 2<sup>15</sup>-1 PRBS data pattern.
26. Crystal must meet specifications described in CXT6176/CXT8192 data sheet.
27. Jitter measured at the demodulator output of an HP3785A (or equivalent) using a measurement bandwidth not to exceed 20 Hz centered around the jitter frequency. With a 2<sup>15</sup>-1 PRBS data pattern.
28. Jitter below 100 kHz and within the attenuator's input jitter tolerance is not translated or aliased to other frequencies. Output jitter increases significantly when attenuator input jitter tolerance is exceeded.

**T1 SWITCHING CHARACTERISTICS** (TA = -40°C to 85°C; TV+, RV+ = 5.0V ±5%;

GND = 0V; Inputs: Logic 0 = 0V, Logic 1 = RV+; See Figures 1, 2, &amp; 3)

| Parameter                                     | Symbol                              | Min | Typ      | Max | Units |
|---|-------------------------------------|-----|----------|-----|-------|
| Crystal Frequency (Note 26)                   | f <sub>c</sub>                      | -   | 6.176000 | -   | MHz   |
| TCLK Frequency                                | f <sub>tclk</sub>                   | -   | 1.544    | -   | MHz   |
| TCLK Pulse Width (Note 29)                    | t <sub>pwh2</sub>                   | 150 | -        | 500 | ns    |
| ACLKI Duty Cycle                              | t <sub>pwh3</sub> /t <sub>pw3</sub> | 40  | -        | 60  | %     |
| ACLKI Frequency (Note 30)                     | f <sub>ackli</sub>                  | -   | 1.544    | -   | MHz   |
| RCLK Duty Cycle (Note 31)                     | t <sub>pwh1</sub> /t <sub>pw1</sub> | 45  | 50       | 55  | %     |
| Rise Time, All Digital Outputs (Note 32)      | t <sub>r</sub>                      | -   | -        | 85  | ns    |
| Fall Time, All Digital Outputs (Note 32)      | t <sub>f</sub>                      | -   | -        | 85  | ns    |
| TPOS/TNEG (TDATA) to TCLK Falling Setup Time  | t <sub>su2</sub>                    | 25  | -        | -   | ns    |
| TCLK Falling to TPOS/TNEG (TDATA) Hold Time   | t <sub>h2</sub>                     | 25  | -        | -   | ns    |
| RPOS/RNEG Valid Before RCLK Falling (Note 33) | t <sub>su1</sub>                    | 150 | 274      | -   | ns    |
| RDATA Valid Before RCLK Falling (Note 34)     | t <sub>su1</sub>                    | 150 | 274      | -   | ns    |
| RPOS/RNEG Valid Before RCLK Rising (Note 35)  | t <sub>su1</sub>                    | 150 | 274      | -   | ns    |
| RPOS/RNEG Valid After RCLK Falling (Note 33)  | t <sub>h1</sub>                     | 150 | 274      | -   | ns    |
| RDATA Valid After RCLK Falling (Note 34)      | t <sub>h1</sub>                     | 150 | 274      | -   | ns    |
| RPOS/RNEG Valid After RCLK Rising (Note 35)   | t <sub>h1</sub>                     | 150 | 274      | -   | ns    |

Notes: 29. The transmitted pulse width does not depend on the TCLK duty cycle.

30. ACLKI provided by an external source or TCLK.

31. RCLK duty cycle will be 62.5% or 37.5% when jitter attenuator limits are reached.

32. At max load of 1.6 mA and 50 pF.

33. Host Mode (CLKE = 1).

34. Extended Hardware Mode.

35. Hardware Mode, or Host Mode (CLKE = 0).

**E1 SWITCHING CHARACTERISTICS** (TA = -40°C to 85°C; TV+, RV+ = 5.0V ±5%;

GND = 0V; Inputs: Logic 0 = 0V, Logic 1 = RV+; See Figures 1, 2, &amp; 3)

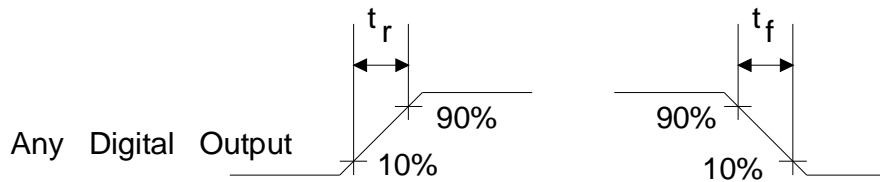
| Parameter                                     | Symbol                              | Min | Typ      | Max | Units |
|---|-------------------------------------|-----|----------|-----|-------|
| Crystal Frequency (Note 26)                   | f <sub>c</sub>                      | -   | 8.192000 | -   | MHz   |
| TCLK Frequency                                | f <sub>tclk</sub>                   | -   | 2.048    | -   | MHz   |
| TCLK Pulse Width (Note 29)                    | t <sub>pwh2</sub>                   | 150 | -        | 340 | ns    |
| ACLKI Duty Cycle                              | t <sub>pwh3</sub> /t <sub>pw3</sub> | 40  | -        | 60  | %     |
| ACLKI Frequency (Note 30)                     | f <sub>ackli</sub>                  | -   | 2.048    | -   | MHz   |
| RCLK Duty Cycle (Note 31)                     | t <sub>pwh1</sub> /t <sub>pw1</sub> | 45  | 50       | 55  | %     |
| Rise Time, All Digital Outputs (Note 32)      | t <sub>r</sub>                      | -   | -        | 85  | ns    |
| Fall Time, All Digital Outputs (Note 32)      | t <sub>f</sub>                      | -   | -        | 85  | ns    |
| TPOS/TNEG (TDATA) to TCLK Falling Setup Time  | t <sub>su2</sub>                    | 25  | -        | -   | ns    |
| TCLK Falling to TPOS/TNEG (TDATA) Hold Time   | t <sub>h2</sub>                     | 25  | -        | -   | ns    |
| RPOS/RNEG Valid Before RCLK Falling (Note 33) | t <sub>su1</sub>                    | 100 | 194      | -   | ns    |
| RDATA Valid Before RCLK Falling (Note 34)     | t <sub>su1</sub>                    | 100 | 194      | -   | ns    |
| RPOS/RNEG Valid Before RCLK Rising (Note 35)  | t <sub>su1</sub>                    | 100 | 194      | -   | ns    |
| RPOS/RNEG Valid After RCLK Falling (Note 33)  | t <sub>h1</sub>                     | 100 | 194      | -   | ns    |
| RDATA Valid After RCLK Falling (Note 34)      | t <sub>h1</sub>                     | 100 | 194      | -   | ns    |
| RPOS/RNEG Valid After RCLK Rising (Note 35)   | t <sub>h1</sub>                     | 100 | 194      | -   | ns    |

**SWITCHING CHARACTERISTICS** (TA = -40° to 85°C; TV+, RV+ = ±5%;

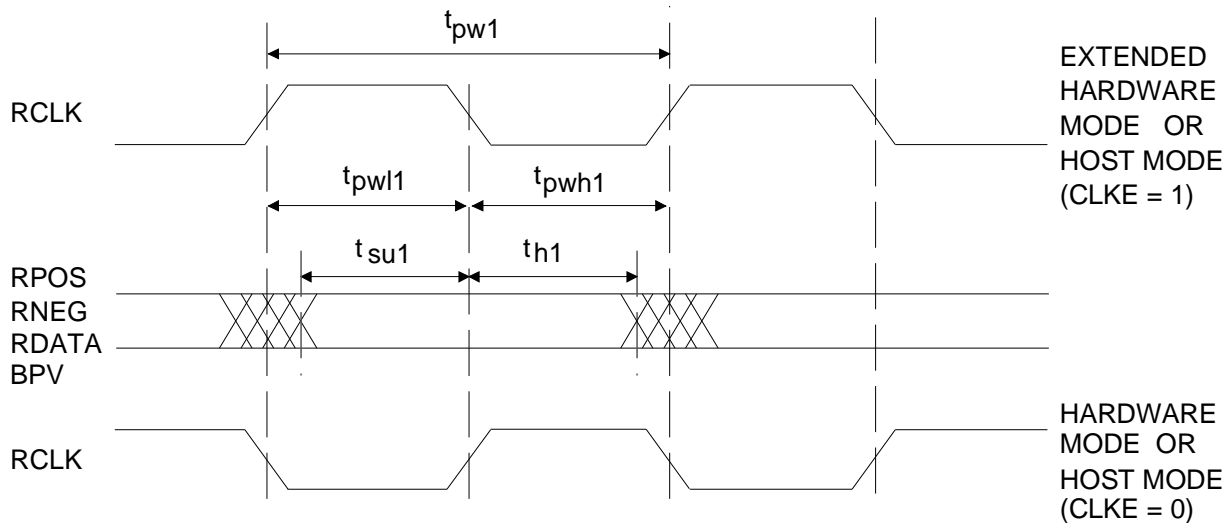
Inputs: Logic 0 = 0V, Logic 1 = RV+)

| Parameter                             | Symbol                          | Min | Typ | Max | Units |
|---------------------------------------|---------------------------------|-----|-----|-----|-------|
| SDI to SCLK Setup Time                | t <sub>dc</sub>                 | 50  | -   | -   | ns    |
| SCLK to SDI Hold Time                 | t <sub>cdh</sub>                | 50  | -   | -   | ns    |
| SCLK Low Time                         | t <sub>cl</sub>                 | 240 | -   | -   | ns    |
| SCLK High Time                        | t <sub>ch</sub>                 | 240 | -   | -   | ns    |
| SCLK Rise and Fall Time               | t <sub>r</sub> , t <sub>f</sub> | -   | -   | 50  | ns    |
| CS to SCLK Setup Time                 | t <sub>cc</sub>                 | 50  | -   | -   | ns    |
| SCLK to CS Hold Time                  | t <sub>cch</sub>                | 50  | -   | -   | ns    |
| CS Inactive Time                      | t <sub>cwh</sub>                | 250 | -   | -   | ns    |
| SCLK to SDO Valid (Note 36)           | t <sub>cdv</sub>                | -   | -   | 200 | ns    |
| CS to SDO High Z                      | t <sub>cdz</sub>                | -   | 100 | -   | ns    |
| Input Valid To PCS Falling Setup Time | t <sub>su4</sub>                | 50  | -   | -   | ns    |
| PCS Rising to Input Invalid Hold Time | t <sub>h4</sub>                 | 50  | -   | -   | ns    |
| PCS Active Low Time                   | t <sub>pcsl</sub>               | 250 | -   | -   | ns    |

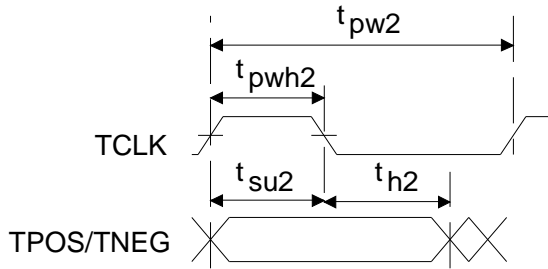
Notes: 36. Output load capacitance = 50pF.



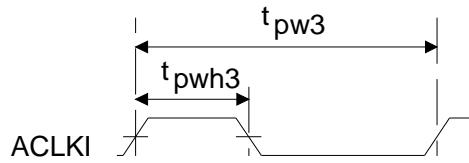
**Figure 1. Signal Rise and Fall Characteristics**



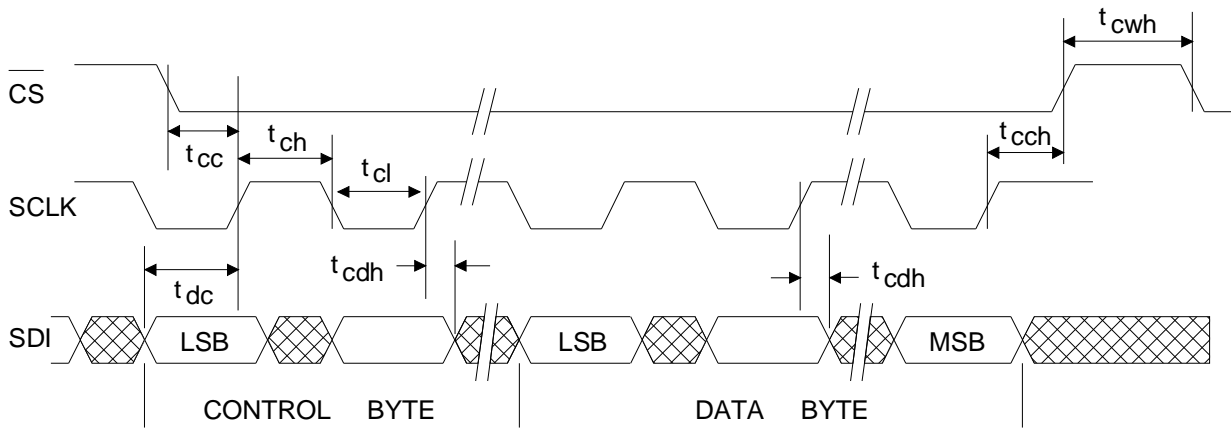
**Figure 2. Recovered Clock and Data Switching Characteristics**



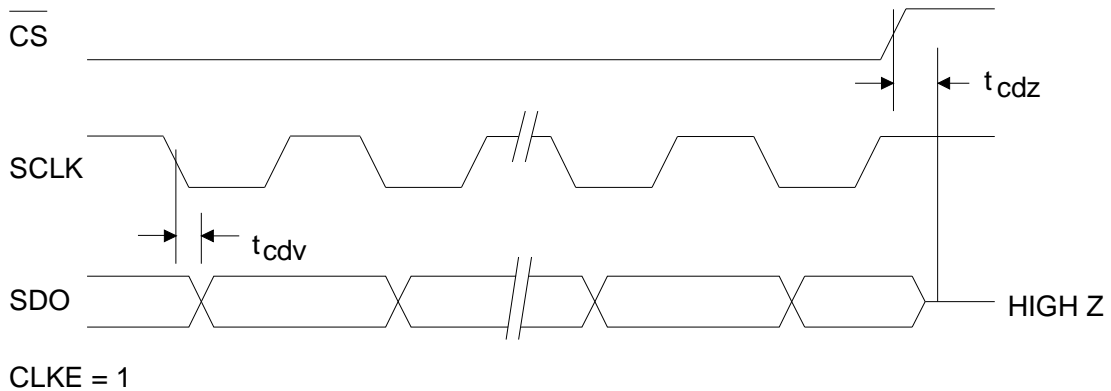
**Figure 3a. Transmit Clock and Data Switching Characteristics**



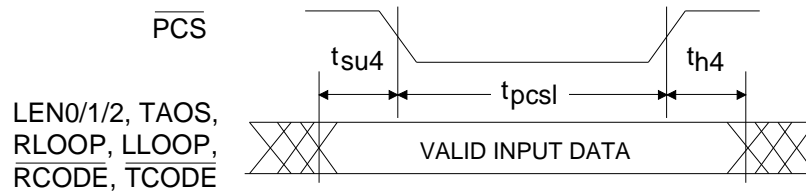
**Figure 3b. Alternate External Clock Characteristics**



**Figure 4. Serial Port Write Timing Diagram**



**Figure 5. Serial Port Read Timing Diagram**



**Figure 6. Extended Hardware Mode Parallel Chip Select Timing Diagram**



## THEORY OF OPERATION

### *Enhancements in CS61575 and CS61574A*

The CS61574A and CS61575 provide higher performance and more features than the CS61574 including:

- AT&T 62411, Stratum 4 compliant jitter attenuation over the full range of operating frequency and jitter amplitude (CS61575),
- 50% lower power consumption,
- Internally matched transmitter output impedance for improved signal quality,
- Optional AMI, B8ZS, HDB3 encoder/decoder or external line coding support,
- Receiver AIS (unframed all ones) detection,
- ANSI T1.231-1993 compliant receiver LOS (Loss of Signal) handling,
- Transmitter TTIP and TRING outputs are forced low when TCLK is static,
- The Driver Performance Monitor operates over a wider range of input signal levels.

Existing designs using the CS61574 can be converted to the higher performance, pin-compatible CS61574A or CS61575 if the transmit transformer is replaced by a pin-compatible transformer with a new turns ratio.

### *Understanding the Difference Between the CS61575 and CS61574A*

The CS61574A and CS61575 provide receiver jitter attenuation performance optimized for different applications. The CS61575 is optimized to attenuate large amplitude, low frequency jitter for T1 Customer Premises Equipment (CPE) applications as required by AT&T 62411. The CS61574A is optimized to minimize data delay in T1 and E1 switching or transmission applications. Refer to the "Jitter Attenuator" section for additional information.

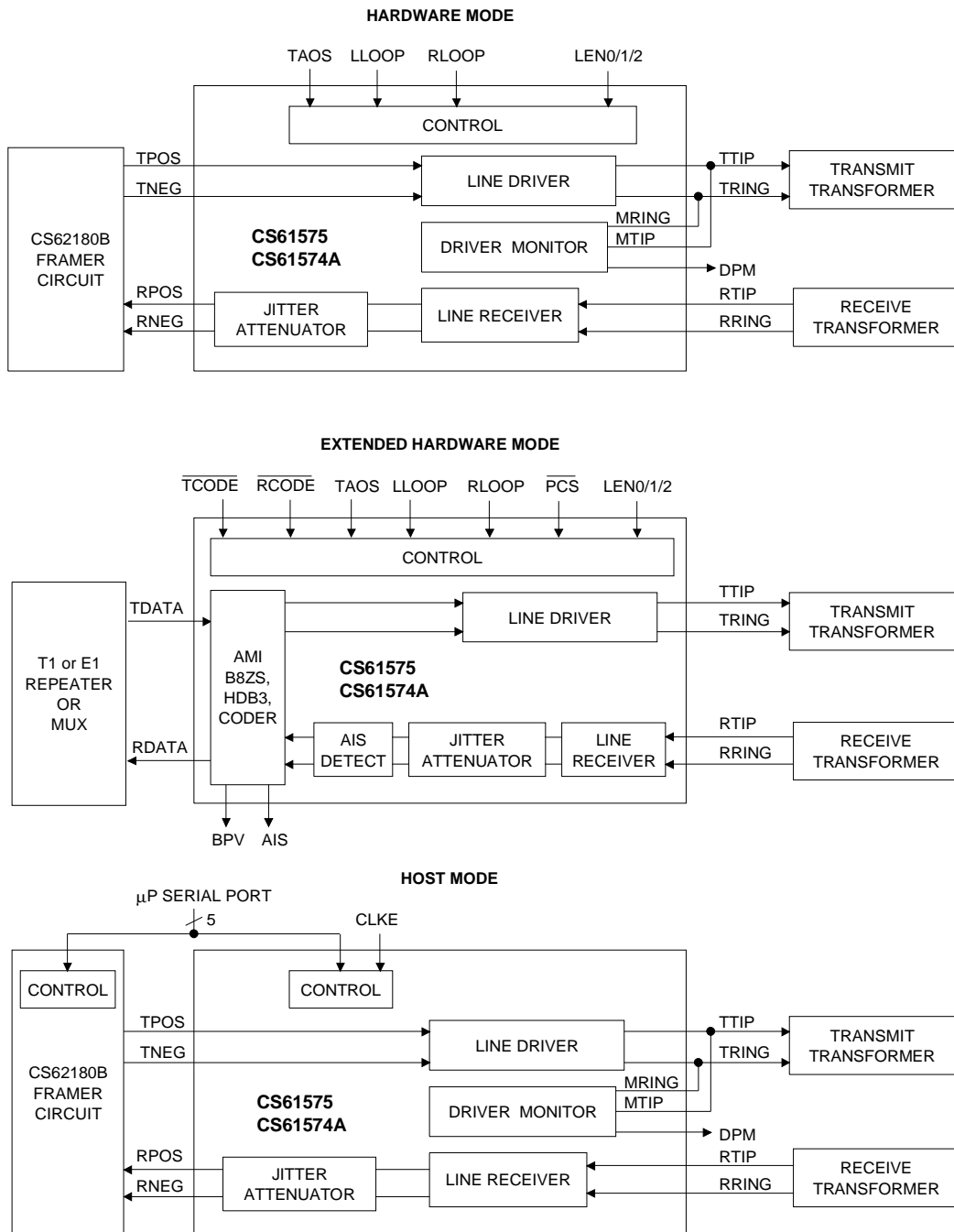
### *Introduction to Operating Modes*

The CS61574A and CS61575 support three operating modes which are selected by the level of the MODE pin as shown in Tables 1 and 2, Figure 7, and Figures A1-A3 of the Applications section.

The modes are Hardware Mode, Extended Hardware Mode, and Host Mode. In Hardware and Extended Hardware Modes, discrete pins are used to configure and monitor the device. The Extended Hardware Mode provides a parallel chip select input which latches the control inputs allowing individual ICs to be configured using a common set of control lines. In the Host Mode, an external processor monitors and configures the device through a serial interface. There are thirteen multi-function pins whose functionality is determined by the operating mode. (see Table 2).

|                                   | <b>Hardware Mode</b> | <b>Extended Hardware Mode</b>          | <b>Host Mode</b> |
|-----------------------------------|----------------------|--|------------------|
| <b>Control Method</b>             | Control Pins         | Control Pins with Parallel Chip Select | Serial Interface |
| <b>MODE Pin Level</b>             | <0.2 V               | Floating or 2.5 V                      | >(RV+)-0.2 V     |
| <b>Line Coding</b>                | External             | Internal-AMI, B8ZS, or HDB3            | External         |
| <b>AIS Detection</b>              | No                   | Yes                                    | No               |
| <b>Driver Performance Monitor</b> | Yes                  | No                                     | Yes              |

**Table 1. Differences Between Operating Modes**



**Figure 7. Overview of Operating Modes**

| FUNCTION     | PIN | MODE     |                   |       |
|--------------|-----|----------|-------------------|-------|
|              |     | HARDWARE | EXTENDED HARDWARE | HOST  |
| TRANSMITTER  | 3   | TPOS     | TDATA             | TPOS  |
|              | 4   | TNEG     | TCODE             | TNEG  |
| RECEIVER/DPM | 6   | RNEG     | BPV               | RNEG  |
|              | 7   | RPOS     | RDATA             | RPOS  |
|              | 11  | DPM      | AIS               | DPM   |
|              | 17  | MTIP     | RCODE             | MTIP  |
|              | 18  | MRING    | -                 | MRING |
| CONTROL      | 18  | -        | PCS               | -     |
|              | 23  | LEN0     | LEN0              | INT   |
|              | 24  | LEN1     | LEN1              | SDI   |
|              | 25  | LEN2     | LEN2              | SDO   |
|              | 26  | RLOOP    | RLOOP             | CS    |
|              | 27  | LLOOP    | LLOOP             | SCLK  |
|              | 28  | TAOS     | TAOS              | CLKE  |

**Table 2. Pin Definitions**

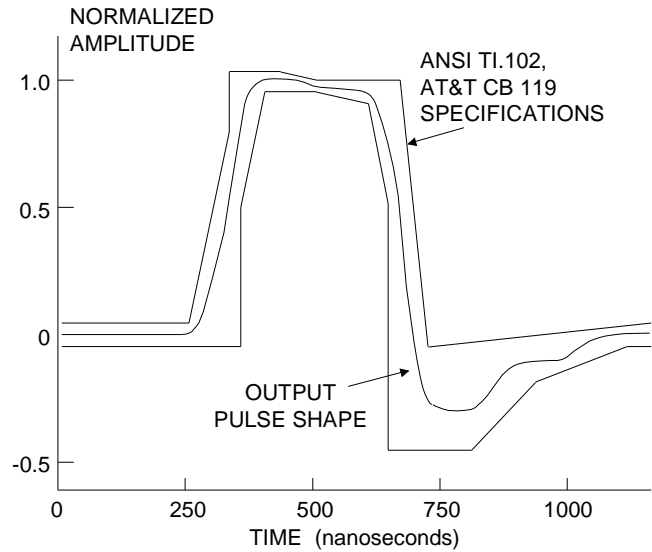
**Transmitter**

The transmitter takes digital T1 or E1 input data and drives appropriately shaped bipolar pulses onto a transmission line. The transmit data (TPOS & TNEG or TDATA) is supplied synchronously and sampled on the falling edge of the input clock, TCLK.

Either T1 (DSX-1 or Network Interface) or E1 CCITT G.703 pulse shapes may be selected. Pulse shaping and signal level are controlled by "line length select" inputs as shown in Table 3.

| LEN2 | LEN1 | LEN0 | Option Selected            | Application                             |
|------|------|------|----------------------------|---|
| 0    | 1    | 1    | 0-133 FEET                 | DSX-1<br>ABAM<br>(AT&T 600B<br>or 600C) |
| 1    | 0    | 0    | 133-266 FEET               |   |
| 1    | 0    | 1    | 266-399 FEET               |   |
| 1    | 1    | 0    | 399-533 FEET               |   |
| 1    | 1    | 1    | 533-655 FEET               |   |
| 0    | 0    | 0    | 120Ω (1:1.26)<br>75Ω (1:1) | E1<br>CCITT G.703                       |
| 0    | 0    | 1    | AT&T CB113                 | Repeater                                |
| 0    | 1    | 0    | FCC PART 68, OPT. A        | Network<br>Interface                    |
| 0    | 1    | 1    | ANSI T1.403                |   |

**Table 3. Line Length Selection**



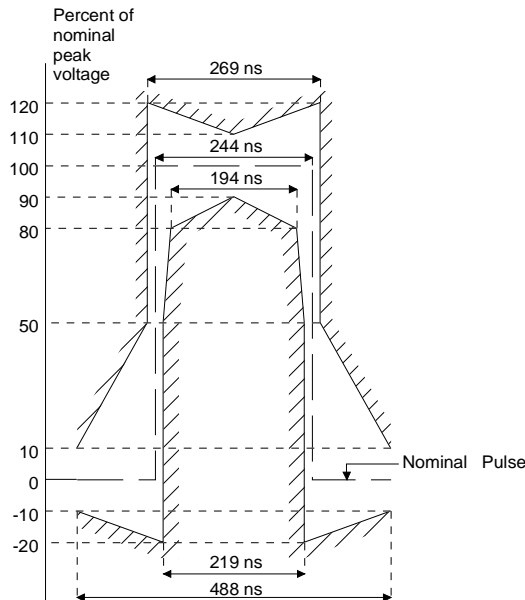
**Figure 8. Typical Pulse Shape at DSX-1 Cross Connect**

The CS61575 and CS61574A line drivers are designed to drive a 75 Ω equivalent load.

For E1 applications, the CS61574A and CS61575 drivers provide 14 dB of return loss during the transmission of both marks and spaces. This improves signal quality by minimizing reflections off the transmitter. Similar levels of return loss are provided for T1 applications.

For T1 DSX-1 applications, line lengths from 0 to 655 feet (as measured from the transmitter to the DSX-1 cross connect) may be selected. The five partition arrangement in Table 3 meets ANSI T1.102 and AT&T CB-119 requirements when using #22 ABAM cable. A typical output pulse is shown in Figure 8. These pulse settings can also be used to meet CCITT pulse shape requirements for 1.544 MHz operation.

For T1 Network Interface applications, two additional options are provided. Note that the optimal pulse width for Part 68 (324 ns) is narrower than the optimal pulse width for DSX-1 (350 ns). The CS61575 and CS61574A automatically adjusts the pulse width based upon the "line length" selection made.



**Figure 9. Mask of the Pulse at the 2048 kbps Interface**

The E1 G.703 pulse shape is supported with line length selection LEN2/1/0=0/0/0. The pulse width will meet the G.703 pulse shape template shown in Figure 9, and specified in Table 4.

The CS61574A and CS61575 will detect a static TCLK, and will force TTIP and TRING low to prevent transmission when data is not present. When any transmit control pin (TAOS, LEN0-2 or LLOOP) is toggled, the transmitter outputs will require approximately 22 bit periods to stabilize. The transmitter will take longer to stabilize

when RLOOP is selected because the timing circuitry must adjust to the new frequency.

**Transmit All Ones Select**

The transmitter provides for all ones insertion at the frequency of TCLK. Transmit all ones is selected when TAOS goes high, and causes continuous ones to be transmitted on the line (TTIP and TRING). In this mode, the TPOS and TNEG (or TDATA) inputs are ignored. If Remote Loopback is in effect, any TAOS request will be ignored.

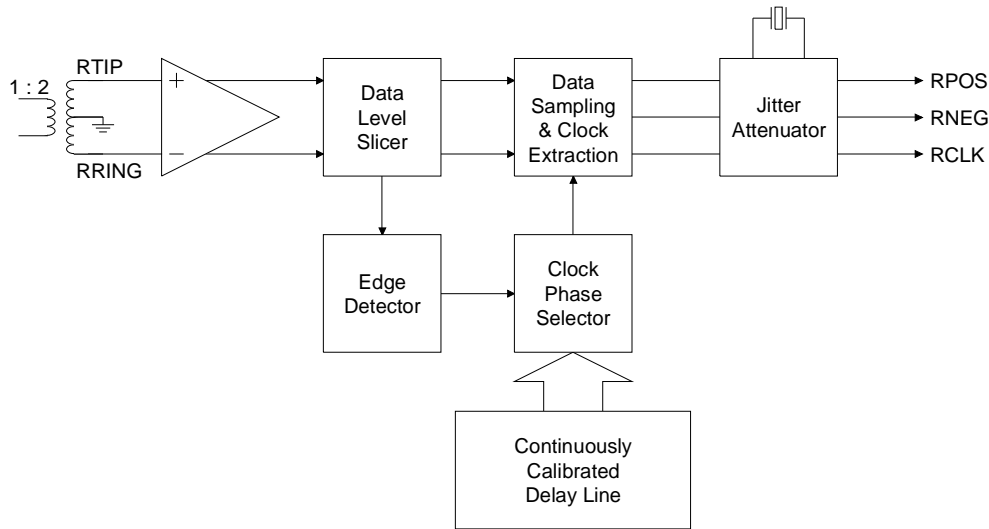
**Receiver**

The receiver extracts data and clock from an AMI (Alternate Mark Inversion) coded signal and outputs clock and synchronized data. The receiver is sensitive to signals over the entire range of ABAM cable lengths and requires no equalization or ALBO (Automatic Line Build Out) circuits. The signal is received on both ends of a center-tapped, center-grounded transformer. The transformer is center tapped on the IC side. The clock and data recovery circuit exceeds the jitter tolerance specifications of Publications 43802, 43801, AT&T 62411, TR-TSY-000170, and CCITT REC. G.823.

|   | For coaxial cable, 75Ω load and transformer specified in Application Section. | For shielded twisted pair, 120Ω load and transformer specified in Application Section. |
|---|---|--|
| Nominal peak voltage of a mark (pulse)  | 2.37 V  | 3 V  |
| Peak voltage of a space (no pulse)  | 0 ±0.237 V  | 0 ±0.30 V  |
| Nominal pulse width   | 244 ns  |  |
| Ratio of the amplitudes of positive and negative pulses at the center of the pulse interval | 0.95 to 1.05*   |  |
| Ratio of the widths of positive and negative pulses at the nominal half amplitude           | 0.95 to 1.05*   |  |

\* When configured with a 0.47 μF nonpolarized capacitor in series with the TX transformer primary as shown in Figures A1, A2 and A3.

**Table 4. CCITT G.703 Specifications**



**Figure 10. Receiver Block Diagram**

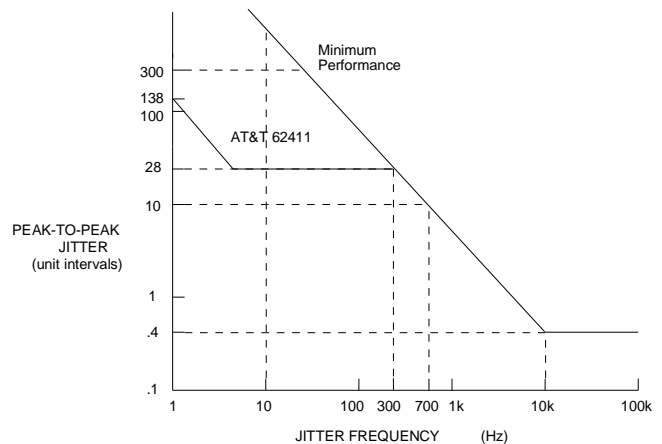
A block diagram of the receiver is shown in Figure 10. The two leads of the transformer (RTIP and RRING) have opposite polarity allowing the receiver to treat RTIP and RRING as unipolar signals. Comparators are used to detect pulses on RTIP and RRING. The comparator thresholds are dynamically established at a percent of the peak level (50% of peak for E1, 65% of peak for T1; with the slicing level selected by LEN2/1/0 inputs).

The leading edge of an incoming data pulse triggers the clock phase selector. The phase selector chooses one of the 13 available phases which the delay line produces for each bit period. The output from the phase selector feeds the clock and data recovery circuits which generate the recovered clock and sample the incoming signal at appropriate intervals to recover the data.

Data sampling will continue at the periods selected by the phase selector until an incoming pulse deviates enough to cause a new phase to be selected for data sampling. The phases of the delay line are selected and updated to allow as much as 0.4 UI of jitter from 10 kHz to 100 kHz, without error. The jitter tolerance of the receiver exceeds that shown in Figure 11. Additionally, this method of clock and data recovery is tolerant of long strings of consecutive zeros. The data

sampler will continuously sample data based on its last input until a new pulse arrives to update the clock phase selector.

The delay line is continuously calibrated using the crystal oscillator reference clock. The delay line produces 13 phases for each cycle of the reference clock. In effect, the 13 phases are analogous to a 20 MHz clock when the reference clock is 1.544 MHz. This implementation utilizes the benefits of a 20 MHz clock for clock recovery without actually having the clock present to impede analog circuit performance.



**Figure 11. Minimum Input Jitter Tolerance of Receiver**

In the Hardware Mode, data at RPOS and RNEG should be sampled on the rising edge of RCLK, the recovered clock. In the Extended Hardware Mode, data at RDATA should be sampled on the falling edge of RCLK. In the Host Mode, CLKE determines the clock polarity for which output data should be sampled as shown in Table 5.

| MODE (pin 5)        | CLKE (pin 28) | DATA                | CLOCK                | Clock Edge for Valid Data    |
|---------------------|---------------|---------------------|----------------------|------------------------------|
| LOW (<0.2V)         | X             | RPOS<br>RNEG        | RCLK<br>RCLK         | Rising<br>Rising             |
| HIGH (>(V+) - 0.2V) | LOW           | RPOS<br>RNEG<br>SDO | RCLK<br>RCLK<br>SCLK | Rising<br>Rising<br>Falling  |
| HIGH (>(V+) - 0.2V) | HIGH          | RPOS<br>RNEG<br>SDO | RCLK<br>RCLK<br>SCLK | Falling<br>Falling<br>Rising |
| MIDDLE (2.5V)       | X             | RDATA               | RCLK                 | Falling                      |

X = Don't care

**Table 5. Data Output/Clock Relationship**

### Loss of Signal

The receiver will indicate loss of signal after power-up, reset or upon receiving 175 consecutive zeros. A digital counter counts received zeros, based on RCLK cycles. A zero is received when the RTIP and RRING inputs are below the input comparator slicing threshold level established by the peak detector. After the signal is removed for a period of time the data slicing threshold level decays to approximately 300 mV<sub>peak</sub>.

If ACLKI is present during the LOS state, ACLKI is switched into the input of the jitter attenuator, resulting in RCLK matching the frequency of ACLKI. The jitter attenuator buffers any instantaneous changes in phase between the last recovered clock and the ACLKI reference clock. This means that RCLK will smoothly transition to the new frequency. If ACLKI is not present, then the crystal oscillator of the jitter attenuator is

forced to its center frequency. Table 6 shows the status of RCLK upon LOS.

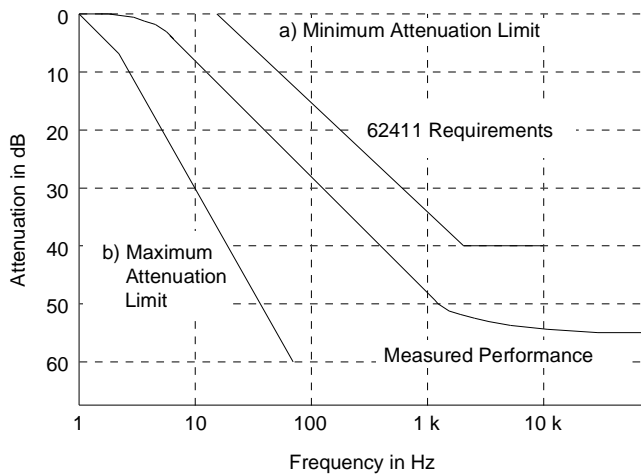
| Crystal present? | ACLKI present? | Source of RCLK                  |
|------------------|----------------|---------------------------------|
| No               | Yes            | ACLKI                           |
| Yes              | No             | Centered Crystal                |
| Yes              | Yes            | ACLKI via the Jitter Attenuator |

**Table 6. RCLK Status at LOS**

### Jitter Attenuator

The jitter attenuator reduces wander and jitter in the recovered clock signal. It consists of a 32 or 192-bit FIFO, a crystal oscillator, a set of load capacitors for the crystal, and control logic. The jitter attenuator exceeds the jitter attenuation requirements of Publications 43802 and REC. G.742. A typical jitter attenuation curve is shown in Figure 12. The CS61575 fully meets AT&T 62411 jitter attenuation requirements. The CS61574A will have a discontinuity in the jitter transfer function when the incoming jitter amplitude exceeds approximately 23 UIs.

The jitter attenuator works in the following manner. The recovered clock and data are input to the FIFO with the recovered clock controlling the FIFO's write pointer. The crystal oscillator controls the FIFO's read pointer which reads data out of the FIFO and presents it at RPOS and RNEG (or RDATA). RCLK is equivalent to the oscillator's output. By changing the load capacitance that the IC presents to the crystal, the oscillator frequency (and RCLK) is adjusted to the average frequency of the recovered signal. Logic determines the phase relationship between the read and write pointers and decides how to adjust the load capacitance of the crystal. Jitter is absorbed in the FIFO according to the jitter transfer characteristic shown in Figure 12.



**Figure 12. Typical Jitter Transfer Function**

The FIFO in the jitter attenuator is designed to prevent overflow and underflow. If the jitter amplitude becomes very large, the read and write pointers may get very close together. Should they attempt to cross, the oscillator's divide by four circuit adjusts by performing a divide by 3 1/2 or divide by 4 1/2 to prevent the overflow or underflow. During this activity, data will never be lost.

The difference between the CS61575 and CS61574A is the depth of the FIFO in the jitter attenuator. The CS61575 has a 192-bit FIFO which allows it to attenuate large amplitude, low frequency jitter as required by AT&T 62411 (e.g., 28 UIpp @ 300 Hz). This makes the CS61575 ideal for use in T1 Customer Premises Equipment which must be compatible with AT&T 62411 requirements. In single-line Stratum 4, Type II systems which are loop-timed, the CS61575 recovered clock can be used as the transmit clock eliminating the need for an external system clock synchronizer. In Stratum 4, Type I systems which transfer timing and require a clock synchronizer, the CS61575 simplifies the design of the synchronizer by absorbing large amplitude low frequency jitter before it reaches the synchronizer.

The CS61574A has a 32-bit FIFO which allows it to absorb jitter with minimum data delay in T1 and E1 switching or transmission applications. The CS61574A will tolerate large amplitude jitter by tracking rather than attenuating it, preventing data errors so that the jitter may be absorbed in external frame buffers. With large amplitude input jitter, the CS61574A jitter transfer function may exhibit some jitter peaking, but will offer performance comparable to the CS61574.

The jitter attenuator may be bypassed by pulling XTALIN to RV+ through a 1 kΩ resistor and providing a 1.544 MHz (or 2.048 MHz) clock on ACLKI. RCLK may exhibit quantization jitter of approximately 1/13 UIpp and a duty cycle of approximately 30% (70%) when the attenuator is disabled.

**Local Loopback**

Local loopback is selected by taking LLOOP, pin 27, high or by setting the LLOOP register bit via the serial interface.

The local loopback mode takes clock and data presented on TCLK, TPOS, and TNEG (or TDATA), sends it through the jitter attenuator and outputs it at RCLK, RPOS and RNEG (or RDATA). If the jitter attenuator is disabled, it is bypassed. Inputs to the transmitter are still transmitted on TTIP and TRING, unless TAOS has been selected in which case, AMI-coded continuous ones are transmitted at the TCLK frequency. The receiver RTIP and RRING inputs are ignored when local loopback is in effect.

**Remote Loopback**

Remote loopback is selected by taking RLOOP, pin 26, high or by setting the RLOOP register bit via the serial interface.

In remote loopback, the recovered clock and data input on RTIP and RRING are sent through the jitter attenuator and back out on the line via TTIP and TRING. Selecting remote loopback overrides any TAOS request (see Table 7). The recovered incoming signals are also sent to RCLK, RPOS and RNEG (or RDATA). Simultaneous selection of local and remote loopback modes is not valid (see Reset).

| RLOOP Input Signal | TAOS Input Signal | Source of Data for TTIP & TRING | Source of Clock for TTIP & TRING |
|--------------------|-------------------|---------------------------------|----------------------------------|
| 0                  | 0                 | TDATA                           | TCLK                             |
| 0                  | 1                 | all 1s                          | TCLK                             |
| 1                  | X                 | RTIP & RRING                    | RTIP & RRING (RCLK)              |

- Notes: 1. X = Don't care. The identified All Ones Select input is ignored when the indicated loopback is in effect.  
 2. Logic 1 indicates that Loopback or All Ones option is selected.

**Table 7. Interaction of RLOOP with TAOS**

In the Extended Hardware Mode the transmitted data is looped before the AMI/B8ZS/HDB3 encoder/decoder during remote loopback so that the transmitted signal matches the received signal, even in the presence of received bipolar violations. Data output on RDATA is decoded, however, if RCODE is low.

**Driver Performance Monitor**

To aid in early detection and easy isolation of non-functioning links, the IC is able to monitor transmit drive performance and report when the driver is no longer operational. This feature can be used to monitor either the device's performance or the performance of a neighboring driver. The driver performance monitor indicator is nor-

mally low, and goes high upon detecting a driver failure.

The driver performance monitor consists of an activity detector that monitors the transmitted signal when MTIP is connected to TTIP and MRING is connected to TRING. DPM will go high if the absolute difference between MTIP and MRING does not transition above or below a threshold level within a time-out period. In the Host Mode, DPM is available from both the register and pin 11.

Whenever more than one line interface IC resides on the same circuit board, the effectiveness of the driver performance monitor can be maximized by having each IC monitor performance of a neighboring IC, rather than having it monitor its own performance. Note that a CS61574A or CS61575 can not be used to monitor a CS61574 due to output stage differences.

**Line Code Encoder/Decoder**

In the Extended Hardware Mode, three line codes are available: AMI, B8ZS and HDB3. The input to the encoder is TDATA. The outputs from the decoder are RDATA and BPV (Bipolar Violation Strobe). The encoder and decoder are selected using the LEN2, LEN1, LEN0, TCODE and RCODE pins as shown in Table 8.

|                                    |      | LEN 2/1/0    |              |
|------------------------------------|------|--------------|--------------|
|                                    |      | 000          | 010-111      |
| TCODE (Transmit Encoder Selection) | LOW  | HDB3 Encoder | B8ZS Encoder |
|                                    | HIGH | AMI Encoder  |              |
| RCODE (Receiver Decoder Selection) | LOW  | HDB3 Decoder | B8ZS Decoder |
|                                    | HIGH | AMI Decoder  |              |

**Table 8. Encoder/Decoder Selection**



### ***Alarm Indication Signal***

In the Extended Hardware Mode, the receiver sets the output pin AIS high when less than 9 zeros are detected out of 8192 bit periods. AIS returns low when 9 or more zeros are detected out of 8192 bit periods.

### ***Parallel Chip Select***

In the Extended Hardware Mode,  $\overline{\text{PCS}}$  can be used to gate the digital control inputs:  $\overline{\text{T}}\text{CODE}$ ,  $\overline{\text{R}}\text{CODE}$ ,  $\text{LEN0}$ ,  $\text{LEN1}$ ,  $\text{LEN2}$ ,  $\text{RLOOP}$ ,  $\text{LLOOP}$  and  $\text{TAOS}$ . Inputs are accepted on these pins only when  $\overline{\text{PCS}}$  is low and will immediately change the operating state of the device. Therefore, when cycling  $\overline{\text{PCS}}$  to update the operating state, the digital control inputs should be stable for the entire  $\overline{\text{PCS}}$  low period. The digital control inputs are ignored when  $\overline{\text{PCS}}$  is high.

### ***Power On Reset / Reset***

Upon power-up, the IC is held in a static state until the supply crosses a threshold of approximately 3 Volts. When this threshold is crossed, the device will delay for about 10 ms to allow the power supply to reach operating voltage. After this delay, calibration of the delay lines used in the transmit and receive sections commences. The delay lines can be calibrated only if a reference clock is present. The reference clock for the receiver is provided by the crystal oscillator, or  $\text{ACLKI}$  if the oscillator is disabled. The reference clock for the transmitter is provided by  $\text{TCLK}$ . The initial calibration should take less than 20 ms.

In operation, the delay lines are continuously calibrated, making the performance of the device independent of power supply or temperature variations. The continuous calibration function forgoes any requirement to reset the line interface when in operation. However, a reset function is available which will clear all registers.

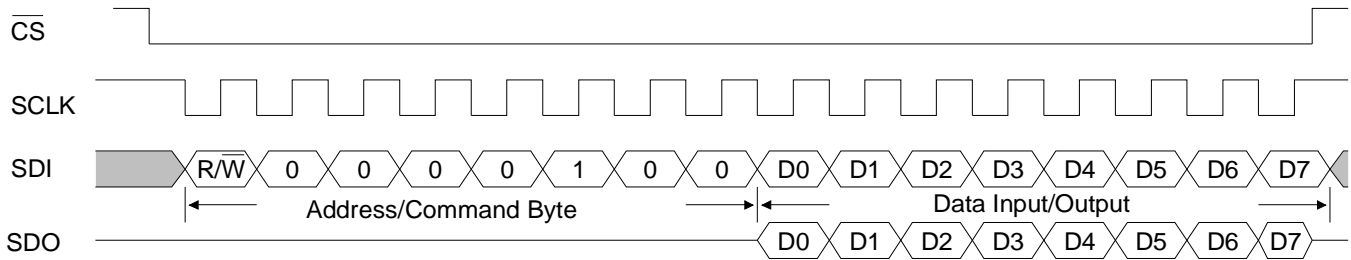
In the Hardware and Extended Hardware Modes, a reset request is made by simultaneously setting both the  $\text{RLOOP}$  and  $\text{LLOOP}$  pins high for at least 200 ns. Reset will initiate on the falling edge of the reset request (falling edge of  $\text{RLOOP}$  and  $\text{LLOOP}$ ). In the Host Mode, a reset is initiated by simultaneously writing  $\text{RLOOP}$  and  $\text{LLOOP}$  to the register. In either mode, a reset will set all registers to 0 and force the oscillator to its center frequency before initiating calibration. A reset will also set  $\text{LOS}$  high.

### ***Serial Interface***

In the Host Mode, pins 23 through 28 serve as a microprocessor/microcontroller interface. One on-board register can be written to via the  $\text{SDI}$  pin or read from via the  $\text{SDO}$  pin at the clock rate determined by  $\text{SCLK}$ . Through this register, a host controller can be used to control operational characteristics and monitor device status. The serial port read/write timing is independent of the system transmit and receive timing.

Data transfers are initiated by taking the chip select input,  $\overline{\text{CS}}$ , low ( $\overline{\text{CS}}$  must initially be high). Address and input data bits are clocked in on the rising edge of  $\text{SCLK}$ . The clock edge on which output data is stable and valid is determined by  $\text{CLKE}$  as shown in Table 5. Data transfers are terminated by setting  $\overline{\text{CS}}$  high.  $\overline{\text{CS}}$  may go high no sooner than 50 ns after the rising edge of the  $\text{SCLK}$  cycle corresponding to the last write bit. For a serial data read,  $\overline{\text{CS}}$  may go high any time to terminate the output.

Figure 13 shows the timing relationships for data transfers when  $\text{CLKE} = 1$ . When  $\text{CLKE} = 1$ , data bit D7 is held until the falling edge of the 16th clock cycle. When  $\text{CLKE} = 0$ , data bit D7 is held until the rising edge of the 17th clock cycle.  $\text{SDO}$  goes High-Z after  $\overline{\text{CS}}$  goes high or at the end of the hold period of data bit D7.



**Figure 13. Input/Output Timing**

An address/command byte, shown in Table 9, precedes a data register. The first bit of the address/command byte determines whether a read or a write is requested. The next six bits contain the address. The line interface responds to address 16 (0010000). The last bit is ignored.

|                |   |      |  |
|----------------|---|------|--|
| LSB, first bit | 0 | R/W  | Read/Write Select; 0 = write, 1 = read |
|                | 1 | ADDP | LSB of address, Must be 0              |
|                | 2 | ADD1 | Must be 0                              |
|                | 3 | ADD2 | Must be 0                              |
|                | 4 | ADD3 | Must be 0                              |
|                | 5 | ADD4 | Must be 1                              |
|                | 6 | -    | Reserved - Must be 0                   |
| MSB, last bit  | 7 | X    | Don't Care                             |

**Table 9. Address/Command Byte**

The data register, shown in Table 10, can be written to the serial port. Data is input on the eight clock cycles immediately following the address/command byte. Bits 0 and 1 are used to clear an interrupt issued from the INT pin, which occurs in response to a loss of signal or a problem with the output driver.

|                |   |         |                            |
|----------------|---|---------|----------------------------|
| LSB, first bit | 0 | clr LOS | Clear Loss Of Signal       |
| in             | 1 | clr DPM | Clear Driver Performance   |
|                | 2 | LEN0    | Bit 0 - Line Length Select |
|                | 3 | LEN1    | Bit 1 - Line Length Select |
|                | 4 | LEN2    | Bit 2 - Line Length Select |
|                | 5 | RLOOP   | Remote Loopback            |
|                | 6 | LLOOP   | Local Loopback             |
| MSB, last bit  | 7 | TAOS    | Transmit All Ones Select   |
| in             |   |         |                            |

**Table 10. Input Data Register**

Writing a "1" to either "Clear LOS" or "Clear DPM" over the serial interface has three effects:

- 1) The current interrupt on the serial interface will be cleared. (Note that simply reading the register bits will not clear the interrupt).
- 2) Output data bits 5, 6 and 7 will be reset as appropriate.
- 3) Future interrupts for the corresponding LOS or DPM will be prevented from occurring.

Writing a "0" to either "Clear LOS" or "Clear DPM" enables the corresponding interrupt for LOS or DPM.

Output data from the serial interface is presented as shown in Tables 11 and 12. Bits 2, 3 and 4 can be read to verify line length selection. Bits 5, 6 and 7 must be decoded. Codes 101, 110 and 111 (Bits 5, 6 and 7) indicate intermittent loss of signal and/or driver problems.

SDO goes to a high impedance state when not in use. SDO and SDI may be tied together in applications where the host processor has a bi-directional I/O port.

|                |   |      |                            |
|----------------|---|------|----------------------------|
| LSB, first bit | 0 | LOS  | Loss Of Signal             |
| in             | 1 | DPM  | Driver Performance         |
|                | 2 | LEN0 | Bit 0 - Line Length Select |
|                | 3 | LEN1 | Bit 1 - Line Length Select |
|                | 4 | LEN2 | Bit 2 - Line Length Select |

**Table 11. Output Data Bits 0 - 4**

| Bits |   |   | Status   |
|------|---|---|--|
| 5    | 6 | 7 |  |
| 0    | 0 | 0 | Reset has occurred or no program input.                                |
| 0    | 0 | 1 | TAOS in effect.  |
| 0    | 1 | 0 | LLOOP in effect  |
| 0    | 1 | 1 | TAOS/LLOOP in effect.  |
| 1    | 0 | 0 | RLOOP in effect.   |
| 1    | 0 | 1 | DPM changed state since last "clear DPM" occurred.                     |
| 1    | 1 | 0 | LOS changed state since last "clear LOS" occurred.                     |
| 1    | 1 | 1 | LOS and DPM have changed state since last "clear LOS" and "clear DPM". |

**Table 12. Coding for Serial Output bits 5,6,7**

### ***Power Supply***


The device operates from a single +5 Volt supply. Separate pins for transmit and receive supplies provide internal isolation. These pins should be connected externally near the device and decoupled to their respective grounds. TV+ must not exceed RV+ by more than 0.3V.

Decoupling and filtering of the power supplies is crucial for the proper operation of the analog circuits in both the transmit and receive paths. A 1.0  $\mu$ F capacitor should be connected between TV+ and TGND, and a 0.1  $\mu$ F capacitor should be connected between RV+ and RGND. Use mylar or ceramic capacitors and place them as closely as possible to their respective power supply pins. A 68  $\mu$ F tantalum capacitor should be added close to the RV+/RGND supply. Wire-wrap breadboarding of the line interface is not recommended because lead resistance and inductance serve to defeat the function of the decoupling capacitors.

## Schematic & Layout Review Service

**Confirm Optimum  
Schematic & Layout  
Before Building Your Board.**

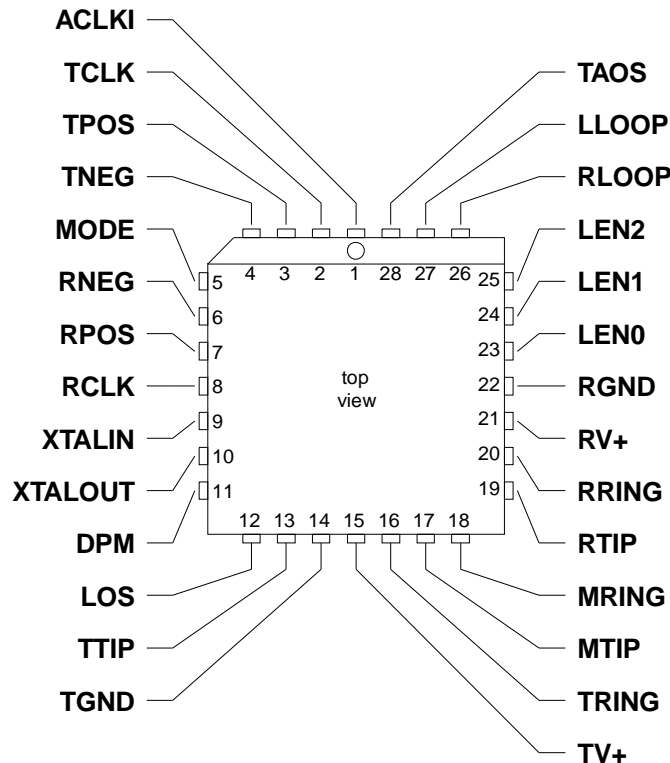
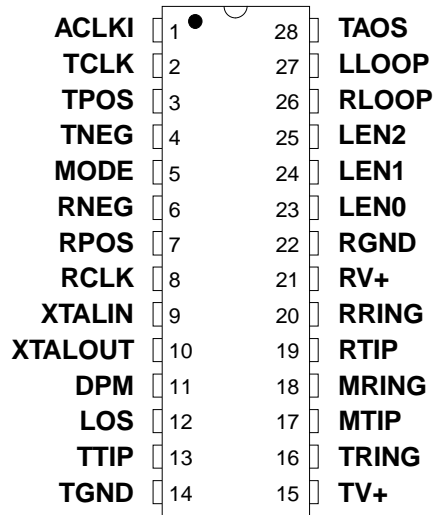
**For Our Free Review Service  
Call Applications Engineering.**



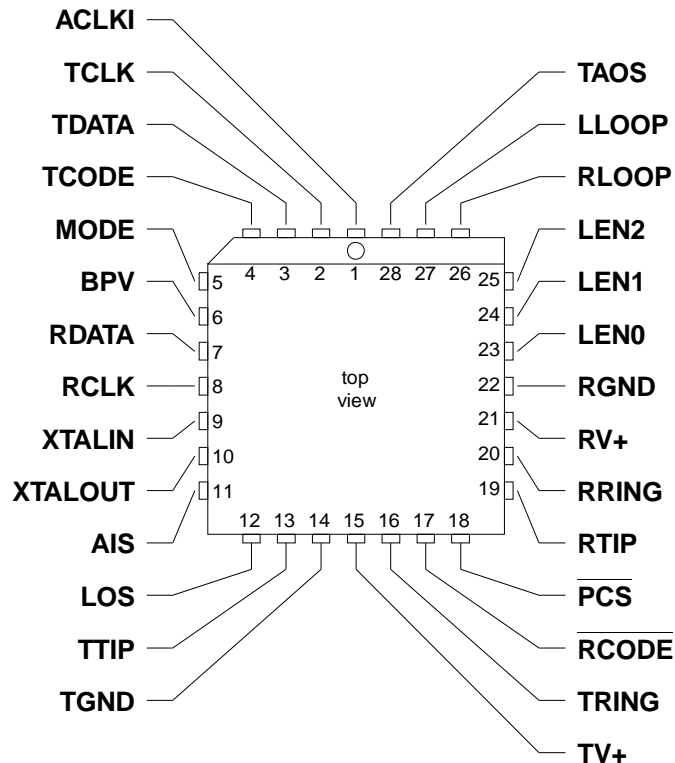
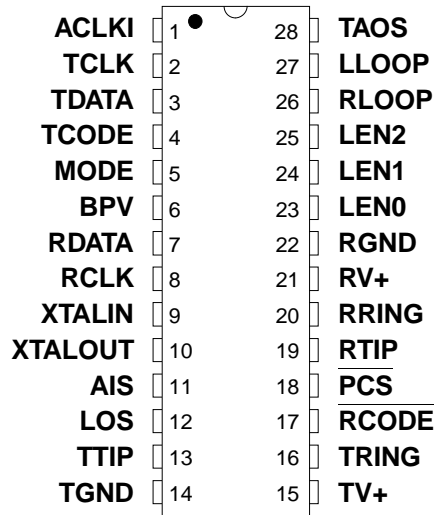
C a l l : ( 5 1 2 ) 4 4 5 - 7 2 2 2

**PIN DESCRIPTIONS**

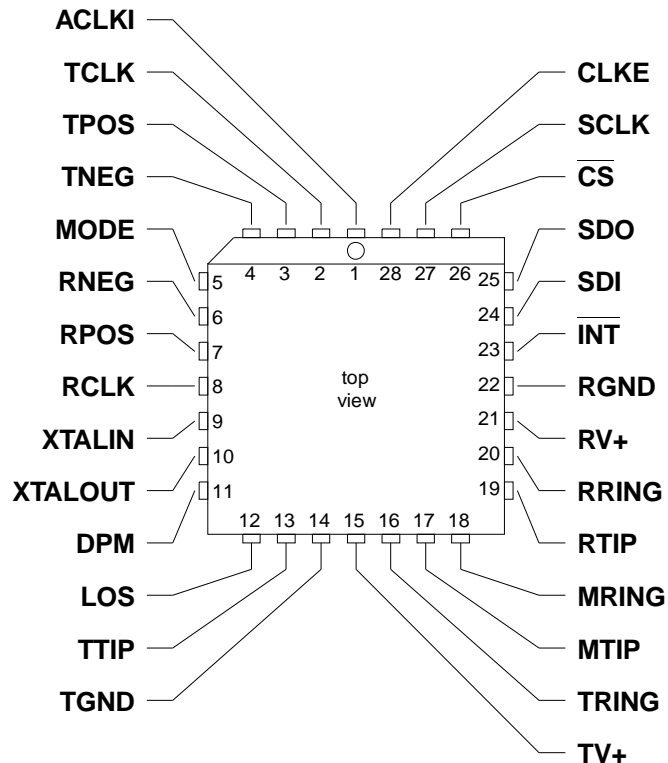
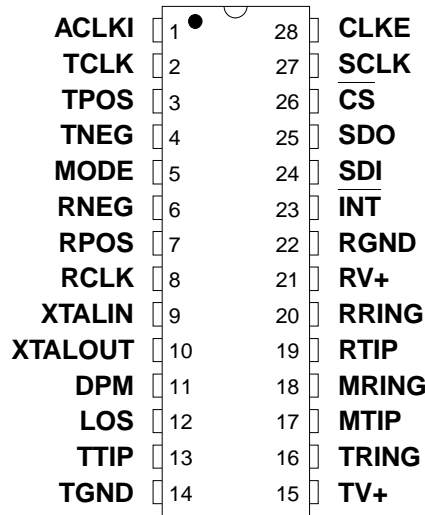
*Hardware Mode*



*Extended Hardware Mode*



*Host Mode*



### Power Supplies

#### **RGND - Ground, Pin 22.**

Power supply ground for all subcircuits except the transmit driver; typically 0 Volts.

#### **RV+ - Power Supply, Pin 21.**

Power supply for all subcircuits except the transmit driver; typically +5 Volts.

#### **TGND - Ground, Transmit Driver, Pin 14.**

Power supply ground for the transmit driver; typically 0 Volts.

#### **TV+ - Power Supply, Transmit Driver, Pin 15.**

Power supply for the transmit driver; typically +5 Volts. TV+ must not exceed RV+ by more than 0.3 V.

### Oscillator

#### **XTALIN, XTALOUT - Crystal Connections, Pins 9 and 10.**

A 6.176 MHz (or 8.192 MHz) crystal should be connected across these pins. If a 1.544 MHz (or 2.048 MHz) clock is provided on ACLKI (pin 1), the jitter attenuator may be disabled by tying XTALIN, Pin 9 to RV+ through a 1 k $\Omega$  resistor, and floating XTALOUT, Pin 10.

Overdriving the oscillator with an external clock is not supported.

### Control

#### **ACLKI - Alternate External Clock Input, Pin 1.**

A 1.544 MHz (or 2.048 MHz) clock may be input to ACLKI, or this pin must be tied to ground. During LOS, the ACLKI input signal, if present, is output on RCLK through the jitter attenuator.

#### **CLKE - Clock Edge, Pin 28. (Host Mode)**

Setting CLKE to logic 1 causes RPOS and RNEG to be valid on the falling edge of RCLK, and SDO to be valid on the rising edge of SCLK. Conversely, setting CLKE to logic 0 causes RPOS and RNEG to be valid on the rising edge of RCLK, and SDO to be valid on the falling edge of SCLK.

#### **$\overline{\text{CS}}$ - Chip Select, Pin 26. (Host Mode)**

This pin must transition from high to low to read or write the serial port.

#### **$\overline{\text{INT}}$ - Receive Alarm Interrupt, Pin 23. (Host Mode)**

Goes low when LOS or DPM change state to flag the host processor.  $\overline{\text{INT}}$  is cleared by writing "clear LOS" or "clear DPM" to the register.  $\overline{\text{INT}}$  is an open drain output and should be tied to the power supply through a resistor.

**LEN0, LEN1, LEN2 - Line Length Selection, Pins 23, 24 and 25. (Hardware and Extended Hardware Modes)**

Determines the shape and amplitude of the transmitted pulse to accommodate several cable types and lengths. See Table 3 for information on line length selection. Also controls the receiver slicing level and the line code in Extended Hardware Mode.

**LLOOP - Local Loopback, Pin 27. (Hardware and Extended Hardware Modes)**

Setting LLOOP to a logic 1 routes the transmit clock and data through the jitter attenuator to the receive clock and data pins. TCLK and TPOS/TNEG (or TDATA) are still transmitted unless overridden by a TAOS request. Inputs on RTIP and RRING are ignored.

**MODE - Mode Select, Pin 5.**

Driving the MODE pin high puts the line interface in the Host Mode. In the host mode, a serial control port is used to control the line interface and determine its status. Grounding the MODE pin puts the line interface in the Hardware Mode, where configuration and status are controlled by discrete pins. Floating the MODE pin or driving it to +2.5 V selects the Extended Hardware Mode, where configuration and status are controlled by discrete pins. When floating MODE, there should be no external load on the pin. MODE defines the status of 13 pins (see Table 2).

 **$\overline{\text{PCS}}$  - Parallel Chip Select, Pin 18. (Extended Hardware Mode)**

Setting  $\overline{\text{PCS}}$  high causes the line interface to ignore the  $\overline{\text{T}}\text{CODE}$ ,  $\overline{\text{R}}\text{CODE}$ , LEN0, LEN1, LEN2, RLOOP, LLOOP and TAOS inputs.

 **$\overline{\text{RCODE}}$  - Receiver Decoder Select, Pin 17. (Extended Hardware Mode)**

Setting  $\overline{\text{RCODE}}$  low enables B8ZS or HDB3 zero substitution in the receiver decoder. Setting  $\overline{\text{RCODE}}$  high enables the AMI receiver decoder (see Table 8).

**RLOOP - Remote Loopback, Pin 26. (Hardware and Extended Hardware Modes)**

Setting RLOOP to a logic 1 causes the recovered clock and data to be sent through the jitter attenuator (if active) and through the driver back to the line. The recovered signal is also sent to RCLK and RPOS/RNEG (or RDATA). Any TAOS request is ignored.

Simultaneously taking RLOOP and LLOOP high for at least 200 ns initiates a device reset.

**SCLK - Serial Clock, Pin 27. (Host Mode)**

Clock used to read or write the serial port registers. SCLK can be either high or low when the line interface is selected using the CS pin.

**SDI - Serial Data Input, Pin 24. (Host Mode)**

Data for the on-chip register. Sampled on the rising edge of SCLK.

**SDO - Serial Data Output, Pin 25. (Host Mode)**

Status and control information from the on-chip register. If CLKE is high SDO is valid on the rising edge of SCLK. If CLKE is low SDO is valid on the falling edge of SCLK. This pin goes to a high-impedance state when the serial port is being written to or after bit D7 is output.



**TAOS - Transmit All Ones Select, Pin 28. (Hardware and Extended Hardware Modes)**

Setting TAOS to a logic 1 causes continuous ones to be transmitted at the frequency determined by TCLK.

**TCODE - Transmitter Encoder Select, Pin 4. (Extended Hardware Mode)**

Setting TCODE low enables B8ZS or HDB3 zero substitution in the transmitter encoder. Setting TCODE high enables the AMI transmitter encoder.

**Data****RCLK - Recovered Clock, Pin 8.**

The receiver recovered clock generated by the jitter attenuator is output on this pin. When in the loss of signal state ACLKI (if present) is output on RCLK via the jitter attenuator. If ACLKI is not present during LOS, RCLK is forced to the center frequency of the crystal oscillator.

**RDATA - Receive Data - Pin 7. (Extended Hardware Mode)**

Data recovered from the RTIP and RRING inputs is output at this pin, after being decoded by the line code decoder. RDATA is NRZ. RDATA is stable and valid on the falling edge of RCLK.

**RPOS, RNEG - Receive Positive Data, Receive Negative Data, Pins 6 and 7. (Hardware and Host Modes)**

The receiver recovered NRZ digital data is output on these pins. In the Hardware Mode, RPOS and RNEG are stable and valid on the rising edge of RCLK. In the Host Mode, CLKE determines the clock edge for which RPOS and RNEG are stable and valid. See Table 5. A positive pulse (with respect to ground) received on the RTIP pin generates a logic 1 on RPOS, and a positive pulse received on the RRING pin generates a logic 1 on RNEG.

**RTIP, RRING - Receive Tip, Receive Ring, Pins 19 and 20.**

The AMI receive signal is input to these pins. A center-tapped, center-grounded, 2:1, step-up transformer is required on these inputs, as shown in Figure A1 in the *Applications* section. Data and clock are recovered and output on RCLK and RPOS/RNEG or RDATA.

**TCLK - Transmit Clock, Pin 2.**

The 1.544 MHz (or 2.048 MHz) transmit clock is input on this pin. TPOS/TNEG or TDATA are sampled on the falling edge of TCLK.

**TDATA - Transmit Data, Pin 3. (Extended Hardware Mode)**

Transmitter NRZ input data which passes through the line code encoder, and is then driven on to the line through TTIP and TRING. TDATA is sampled on the falling edge of TCLK.

**TPOS, TNEG - Transmit Positive Data, Transmit Negative Data, Pins 3 and 4. (Hardware and Host Modes)**

Inputs for clock and data to be transmitted. The signal is driven on to the line through TTIP and TRING. TPOS and TNEG are sampled on the falling edge of TCLK. A TPOS input causes a positive pulse to be transmitted, while a TNEG input causes a negative pulse to be transmitted.

**TTIP, TRING - Transmit Tip, Transmit Ring, Pins 13 and 16.**

The AMI signal is driven to the line through these pins. The transmitter output is designed to drive a 75  $\Omega$  load between TTIP and TRING. A transformer is required as shown in Table A1.

Status**AIS - Alarm Indication Signal, Pin 11. (Extended Hardware Mode)**

AIS goes high when unframed all-ones condition (blue alarm) is detected, using the detection criteria of less than three zeros out of 2048 bit periods.

**BPV- Bipolar Violation Strobe, Pin 6. (Extended Hardware Mode)**

BPV strobes high when a bipolar violation is detected in the received signal. B8ZS (or HDB3) zero substitutions are not flagged as bipolar violations if the B8ZS (or HDB3) decoder has been enabled.

**DPM - Driver Performance Monitor, Pin 11. (Hardware and Host Modes)**

DPM goes high if no activity is detected on MTIP and MRING.

**LOS - Loss of Signal, Pin 12.**

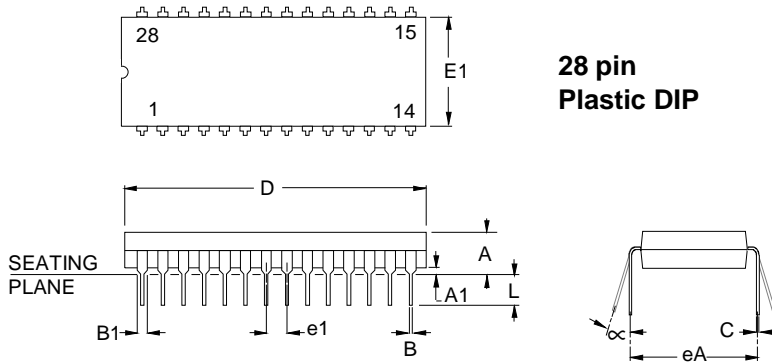
LOS goes high when 175 consecutive zeros have been received. LOS returns low when the ones density reaches 12.5% (based upon 175 bit periods starting with a one and containing less than 100 consecutive zeros) as prescribed in ANSI T1.231-1993. When in the loss of signal state RPOS/RNEG or RDATA are forced low, and ACLKI (if present) is output on RCLK via the jitter attenuator. If ACLKI is not present during LOS, RCLK is forced to the center frequency of the crystal oscillator.

**MTIP, MRING - Monitor Tip, Monitor Ring, Pins 17 and 18. (Hardware and Host Modes)**

These pins are normally connected to TTIP and TRING and monitor the output of a line interface IC. If the  $\overline{\text{INT}}$  pin in the host mode is used, and the monitor is not used, writing "clear DPM" to the serial interface will prevent an interrupt from the driver performance monitor.

**Ordering Guide**

| <b>Model</b> | <b>Frequency</b> | <b>FIFO Depth (Bits)</b> | <b>Package</b>     |
|--------------|------------------|--------------------------|--------------------|
| CS61575-IP1  | T1 & E1          | 192                      | 28-pin Plastic DIP |
| CS61575-IL1  | T1 & E1          | 192                      | 28-pin PLCC        |
| CS61574A-IP1 | T1 & E1          | 32                       | 28-pin Plastic DIP |
| CS61574A-IL1 | T1 & E1          | 32                       | 28-pin PLCC        |

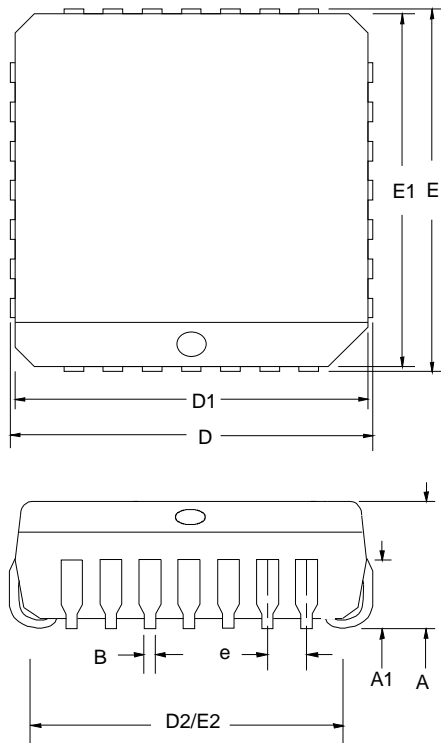


**28 pin  
Plastic DIP**

| DIM | MILLIMETERS |       |       | INCHES |       |       |
|-----|-------------|-------|-------|--------|-------|-------|
|     | MIN         | NOM   | MAX   | MIN    | NOM   | MAX   |
| A   | 3.94        | 4.32  | 5.08  | 0.155  | 0.170 | 0.200 |
| A1  | 0.51        | 0.76  | 1.02  | 0.020  | 0.030 | 0.040 |
| B   | 0.36        | 0.46  | 0.56  | 0.014  | 0.018 | 0.022 |
| B1  | 1.02        | 1.27  | 1.65  | 0.040  | 0.050 | 0.065 |
| C   | 0.20        | 0.25  | 0.38  | 0.008  | 0.010 | 0.015 |
| D   | 36.45       | 36.83 | 37.21 | 1.435  | 1.450 | 1.465 |
| E1  | 13.72       | 13.97 | 14.22 | 0.540  | 0.550 | 0.560 |
| e1  | 2.41        | 2.54  | 2.67  | 0.095  | 0.100 | 0.105 |
| eA  | 15.24       | -     | 15.87 | 0.600  | -     | 0.625 |
| L   | 3.18        | -     | 3.81  | 0.125  | -     | 0.150 |
| α   | 0°          | -     | 15°   | 0°     | -     | 15°   |

**NOTES:**

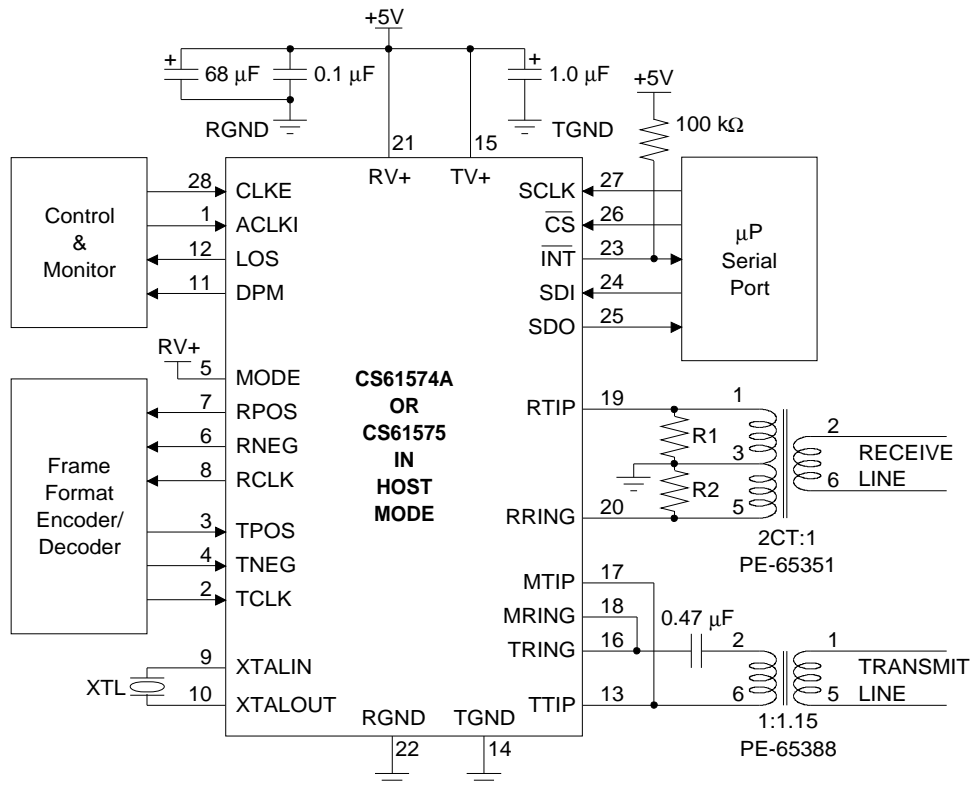
1. POSITIONAL TOLERANCE OF LEADS SHALL BE WITHIN 0.25mm (0.010") AT MAXIMUM MATERIAL CONDITION, IN RELATION TO SEATING PLANE AND EACH OTHER.
2. DIMENSION eA TO CENTER OF LEADS WHEN FORMED PARALLEL.
3. DIMENSION E1 DOES NOT INCLUDE MOLD FLASH.



**28-pin PLCC**

| DIM   | 28          |       |       |        |       |       |
|-------|-------------|-------|-------|--------|-------|-------|
|       | MILLIMETERS |       |       | INCHES |       |       |
|       | MIN         | NOM   | MAX   | MIN    | NOM   | MAX   |
| A     | 4.20        | 4.45  | 4.57  | 0.165  | 0.175 | 0.180 |
| A1    | 2.29        | 2.79  | 3.04  | 0.090  | 0.110 | 0.120 |
| B     | 0.33        | 0.41  | 0.53  | 0.013  | 0.016 | 0.021 |
| D/E   | 12.32       | 12.45 | 12.57 | 0.485  | 0.490 | 0.495 |
| D1/E1 | 11.43       | 11.51 | 11.58 | 0.450  | 0.453 | 0.456 |
| D2/E2 | 9.91        | 10.41 | 10.92 | 0.390  | 0.410 | 0.430 |
| e     | 1.19        | 1.27  | 1.35  | 0.047  | 0.050 | 0.053 |

**APPLICATIONS**



**Figure A1. T1 Host Mode Configuration**

| Frequency<br>MHz | Cable<br>Ω | R1 and R2<br>Ω | Transmit<br>Transformer | Crystal<br>XTL |
|------------------|------------|----------------|-------------------------|----------------|
| 1.544 (T1)       | 100        | 200            | 1:1.15                  | CXT6176        |
| 2.048 (E1)       | 120        | 240            | 1:1.26                  | CXT8192        |
|                  | 75         | 150            | 1:1                     |                |

**Table A1. External Component Values**

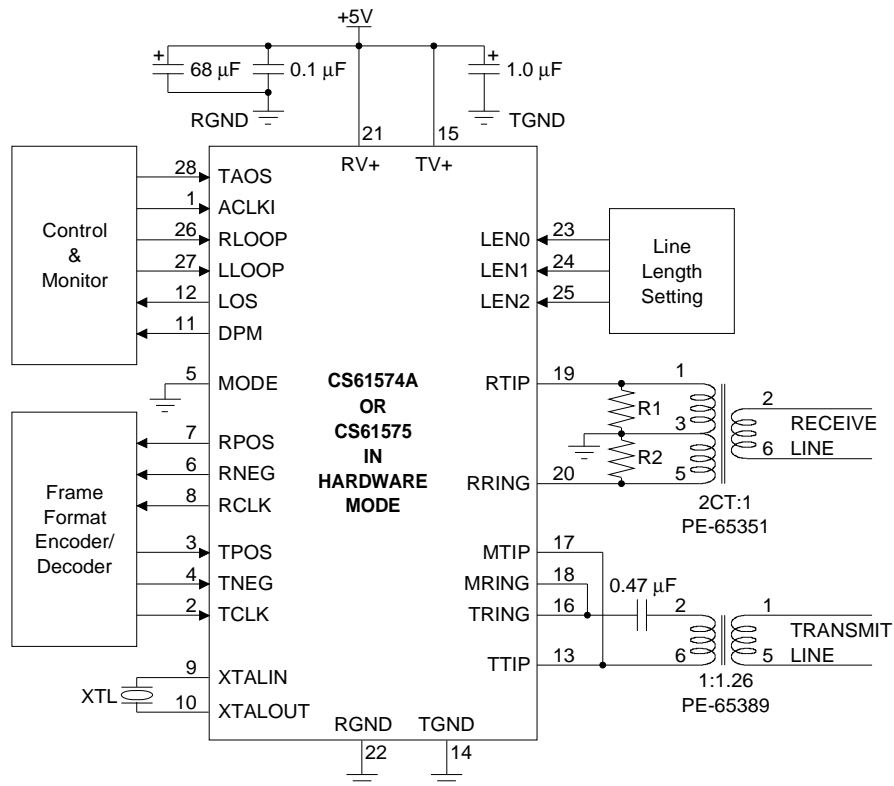
**Line Interface**

Figures A1-A3 show typical T1 and E1 line interface application circuits. Table A1 shows the external components which are specific to each application. Figure A1 illustrates a T1 interface in the Host Mode. Figure A2 illustrates a 120 Ω E1 interface in the Hardware Mode. Figure A3 illustrates a 75 Ω E1 interface in the Extended Hardware Mode

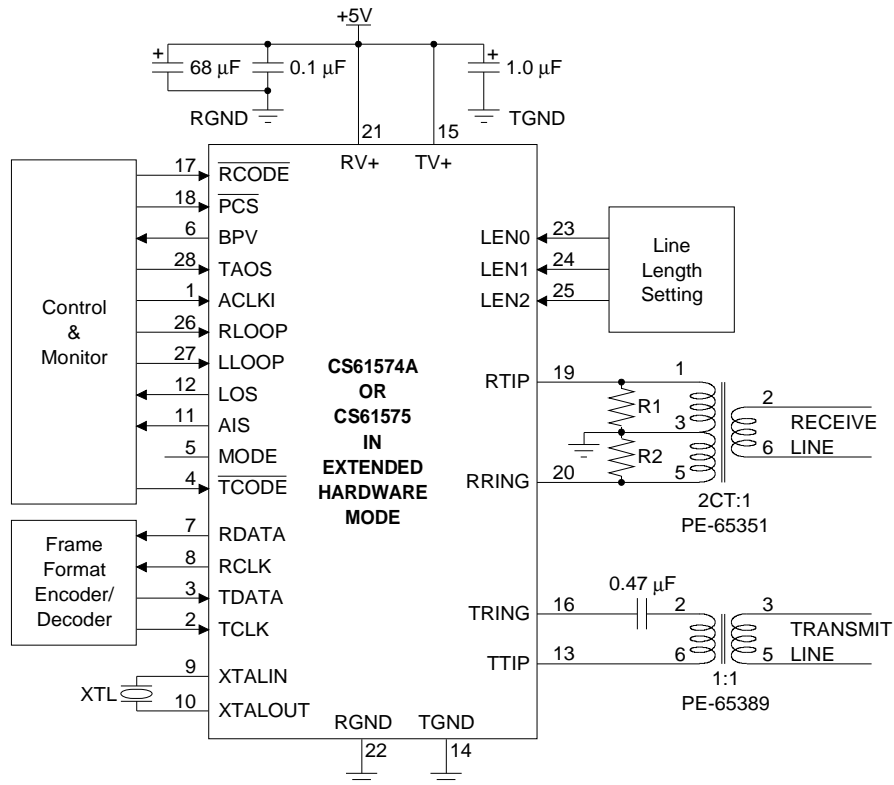
The receiver transformer has a grounded center tap on the IC side. Resistors between the RTIP

and RRING pins to ground provide the termination for the receive line.

The transmitter transformer matches the 75 Ω transmitter output impedance to the line impedance. Figures A1-A3 show a 0.47 µF capacitor in series with the transmit transformer primary. This capacitor is needed to prevent any output stage imbalance from resulting in a DC current through the transformer primary. This current might saturate the transformer producing an output offset level shift.



**Figure A2. 120 Ω, E1 Hardware Mode Configuration**



**Figure A3. 75 Ω, E1 Extended Hardware Mode Configuration**

| Parameter                    | Receiver   | Transmitter  |
|------------------------------|--|--|
| Turns Ratio                  | 1:2 CT $\pm$ 5%  | 1:1 $\pm$ 1.5 % for 75 $\Omega$ E1<br>1:1.15 $\pm$ 5 % for 100 $\Omega$ T1<br>1:1.26 $\pm$ 1.5 % for 120 $\Omega$ E1 |
| Primary Inductance           | 600 $\mu$ H min. @ 772 kHz                             | 1.5 mH min. @ 772 kHz  |
| Primary Leakage Inductance   | 1.3 $\mu$ H max. @ 772 kHz                             | 0.3 $\mu$ H max. @ 772 kHz   |
| Secondary Leakage Inductance | 0.4 $\mu$ H max. @ 772 kHz                             | 0.4 $\mu$ H max. @ 772 kHz   |
| Interwinding Capacitance     | 23 pF max.   | 18 pF max.   |
| ET-constant                  | 16 V- $\mu$ s min. for T1<br>12 V- $\mu$ s min. for E1 | 16 V- $\mu$ s min. for T1<br>12 V- $\mu$ s min. for E1   |

**Table A2. Transformer Specifications**

### *Transformers*

Recommended transmitter and receiver transformer specifications are shown in Table A2. The transformers in Table A3 have been tested and recommended for use with the CS61574A and CS61575. Refer to the "Telecom Transformer Selection Guide" for detailed schematics which show how to connect the line interface IC with a particular transformer.

In applications where it is advantageous to use a single transmitter transformer for 75 $\Omega$  and 120 $\Omega$  E1 applications, a 1:1.26 transformer may be used. Although transmitter return loss will be reduced for 75 $\Omega$  applications, the pulse amplitude will be correct across a 75 $\Omega$  load.

### *Selecting an Oscillator Crystal*

Specific crystal parameters are required for proper operation of the jitter attenuator. It is recommended that the Crystal Semiconductor CXT6176 crystal be used for T1 applications and the CXT8192 crystal be used for E1 applications.

### *Designing for AT&T 62411*

For additional information on the requirements of AT&T 62411 and the design of an appropriate system synchronizer, please refer to the Crystal Semiconductor Application Notes: "AT&T 62411 Design Considerations – Jitter and Synchronization" and "Jitter Testing Procedures for Compliance with AT&T 62411".

### *Transmit Side Jitter Attenuation*

In some applications it is desirable to attenuate jitter from the signal to be transmitted. A CS61575 in local loopback mode can be used as a jitter attenuator. The inputs to the jitter attenuator are TPOS, TNEG, TCLK. The outputs from the jitter attenuator are RPOS, RNEG and RCLK.

### *Line Protection*

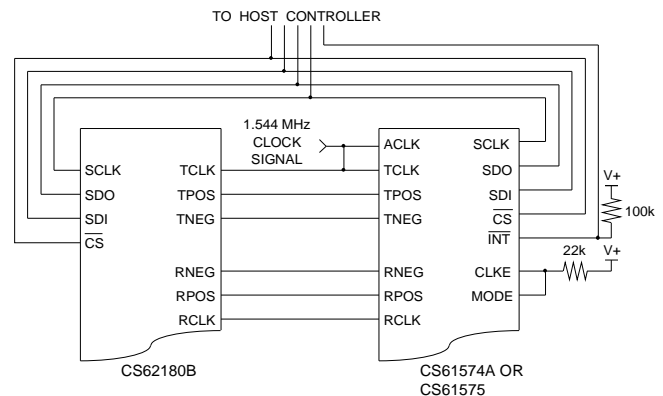
Secondary protection components can be added to provide lightning surge and AC power-cross immunity. Refer to the application note "Secondary Line Protection for T1 and E1 Line Cards" for detailed information on the different electrical safety standards and specific application circuit recommendations.

| Application                 | Turns Ratio(s) | Manufacturer      | Part Number  | Package Type   |
|-----------------------------|----------------|-------------------|--------------|--|
| RX:<br>T1 & E1              | 1:2CT          | Pulse Engineering | PE-65351     | 1.5 kV through-hole, single                            |
|                             |                | Schott            | 67129300     |  |
|                             |                | Bel Fuse          | 0553-0013-HC |  |
| TX:<br>T1                   | 1:1.15         | Pulse Engineering | PE-65388     | 1.5 kV through-hole, single                            |
|                             |                | Schott            | 67129310     |  |
|                             |                | Bel Fuse          | 0553-0013-RC |  |
| TX:<br>E1 (75 & 120 Ω)      | 1:1.26         | Pulse Engineering | PE-65389     | 1.5 kV through-hole, single                            |
|                             | 1:1            | Schott            | 67129320     |  |
|                             |                | Bel Fuse          | 0553-0013-SC |  |
| RX & TX:<br>T1              | 1:2CT          | Pulse Engineering | PE-65565     | 1.5 kV through-hole, dual                              |
|                             | 1:1.15         | Bel Fuse          | 0553-0013-7J |  |
| RX & TX:<br>E1 (75 & 120 Ω) | 1:2CT          | Pulse Engineering | PE-65566     | 1.5 kV through-hole, dual                              |
|                             | 1:1.26<br>1:1  | Bel Fuse          | 0553-0013-8J |  |
| RX & TX:<br>T1              | 1:2CT          | Pulse Engineering | PE-65765     | 1.5 kV surface-mount, dual                             |
|                             | 1:1.15         | Bel Fuse          | S553-0013-06 |  |
| RX & TX:<br>E1 (75 & 120 Ω) | 1:2CT          | Pulse Engineering | PE-65766     | 1.5 kV surface-mount, dual                             |
|                             | 1:1.26<br>1:1  | Bel Fuse          | S553-0013-07 |  |
| RX :<br>T1 & E1             | 1:2CT          | Pulse Engineering | PE-65835     | 3 kV through-hole, single<br>EN60950, EN41003 approved |
| TX:<br>E1 (75 & 120 Ω)      | 1:1.26<br>1:1  | Pulse Engineering | PE-65839     | 3 kV through-hole, single<br>EN60950, EN41003 approved |

**Table A3. Recommended Transformers**

### Interfacing The CS61575 and CS61574A With the CS62180B T1 Transceiver

To interface with the CS62180B, connect the devices as shown in Figure A4. In this case, the line interface and CS62180B are in Host Mode controlled by a microprocessor serial interface. If the line interface is used in Hardware Mode, then the line interface RCLK output must be inverted before being input to the CS62180B. If the CS61575 or CS61574A is used in Extended Hardware Mode, the RCLK output does not have to be inverted before being input to the CS62180B.


**Figure A4. Interfacing the CS61574A or CS61575 with a CS62180B (Host Mode)**

• **Notes** •



## Line Interface Evaluation Board

### Features

- Socketed Line Interface Device
- All Required Components for Complete Line Interface Evaluation
- Configuration by DIP Switch or Serial Interface
- LED Status Indicators for Alarm Conditions
- Support for Host, Hardware, and Extended Hardware Modes

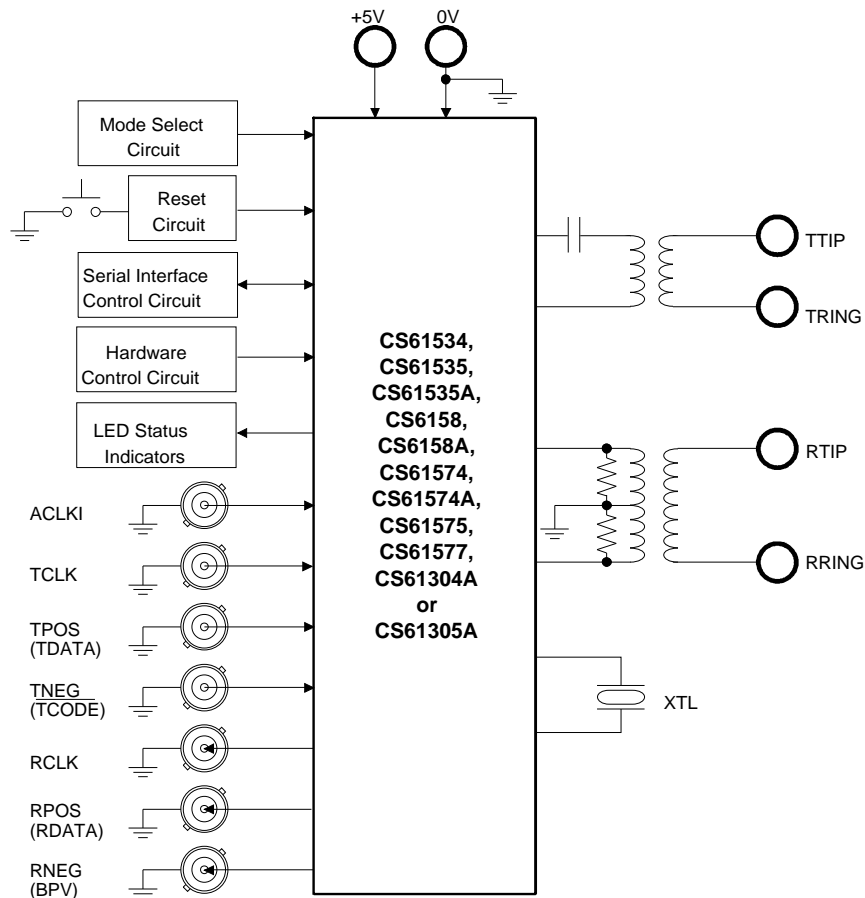
### General Description

The evaluation board includes a socketed line interface device and all support components necessary for evaluation. The board is powered by an external 5 Volt supply.

The board may be configured for 100  $\Omega$  twisted-pair T1, 75  $\Omega$  coax E1, or 120  $\Omega$  twisted-pair E1 operation. Binding posts are provided for line connections. Several BNC connectors are available to provide system clocks and data I/O. Two LED indicators monitor device alarm conditions. The board supports all line interface operating modes.

### ORDERING INFORMATION:

|            |           |            |
|------------|-----------|------------|
| CDB61534,  | CDB61535, | CDB61535A, |
| CDB6158,   | CDB6158A, | CDB61574,  |
| CDB61574A, | CDB61575, | CDB61577,  |
| CDB61304A, | CDB61305A |            |



## POWER SUPPLY

As shown on the evaluation board schematic in Figure 1, power is supplied to the evaluation board from an external +5 Volt supply connected to the two binding posts labeled +5V and GND. Transient suppressor D10 protects the components on the board from over-voltage damage and reversed supply connections. The recommended power supply decoupling is provided by C1, C2 and C3. Ceramic capacitor C1 and electrolytic capacitor C2 are used to decouple RV+ to RGND. Capacitor C3 decouples TV+ to TGND. The TV+ and RV+ power supply traces are connected at the device socket U1. A ground plane on the component side of the evaluation board insures optimum performance.

## BOARD CONFIGURATION

Pins on line interface device U1 with more than one pin name have different functions depending on the operating mode selected. Pin names not enclosed in parenthesis or square brackets describe the Hardware mode pin function. Pin names enclosed in parenthesis describe the Extended Hardware mode pin function. Pin names enclosed in square brackets describe the Host mode pin function.

Table 1 explains how to configure the evaluation board jumpers depending on the device installed and the desired operating mode. Mode selection is accomplished with slide switch SW1 and jumpers JP2, JP6, and JP7. The CS61535A, CS61574A, CS61575, CS61577, CS61304A, and CS61305A support the Hardware, Extended Hardware, and Host operating modes. The CS61534, CS61535, and CS61574 support the Hardware and Host operating modes. The CS6158 and CS6158A only support the Hardware operating mode.

### Hardware Mode

In the Hardware operating mode, the line interface is configured using DIP switch S2. The digital control inputs to the device selected by S2 include: transmit all ones (TAOS), local loopback (LLOOP), remote loopback (RLOOP), and transmit line length selection (LEN2,LEN1,LEN0). Closing a DIP switch on S2 towards the label sets the device control pin of the same name to logic 1 (+5 Volts). Note that S2 switch positions  $\overline{\text{TCODE}}$  and  $\overline{\text{RCODE}}$  have no function in Hardware mode. In addition, the host processor interface connector JP1 should not be used in the Hardware mode.

Two LED status indicators are provided in Hardware mode. The LED labeled DPM (AIS) illuminates when the line interface asserts the Driver

| JUMPER        | POSITION | FUNCTION SELECTED   |
|---------------|----------|---|
| JP1           | -        | Connector for external processor in Host operating mode.                                      |
| JP2, JP6, JP7 | A-A      | Extended Hardware operating mode.   |
|               | B-B      | Hardware or Host operating modes.   |
| JP3           | IN       | Hardware or Extended Hardware operating modes.  |
|               | OUT      | Host operating mode.  |
| JP4           | C-C      | Connects the ACLKI BNC input to pin 1 of device.  |
|               | D-D      | Grounds the ACLKI BNC input through 51Ω resistor R1.  |
| JP5           | E-E      | Transmit line connection for all applications except those listed for "F-F" on the next line. |
|               | F-F      | 75Ω coax E1 applications using the Schott 12932/12532 or PE-65389/65566 at transformer T1.    |
| JP8           | IN       | Shorts resistor R2 for all applications except those listed for "OUT" on the next line.       |
|               | OUT      | Inserts resistor R2 for 75Ω coax E1 applications using the CS61534, 35, 58, 74, or 77.        |

**Table 1. Evaluation Board Jumper Settings**

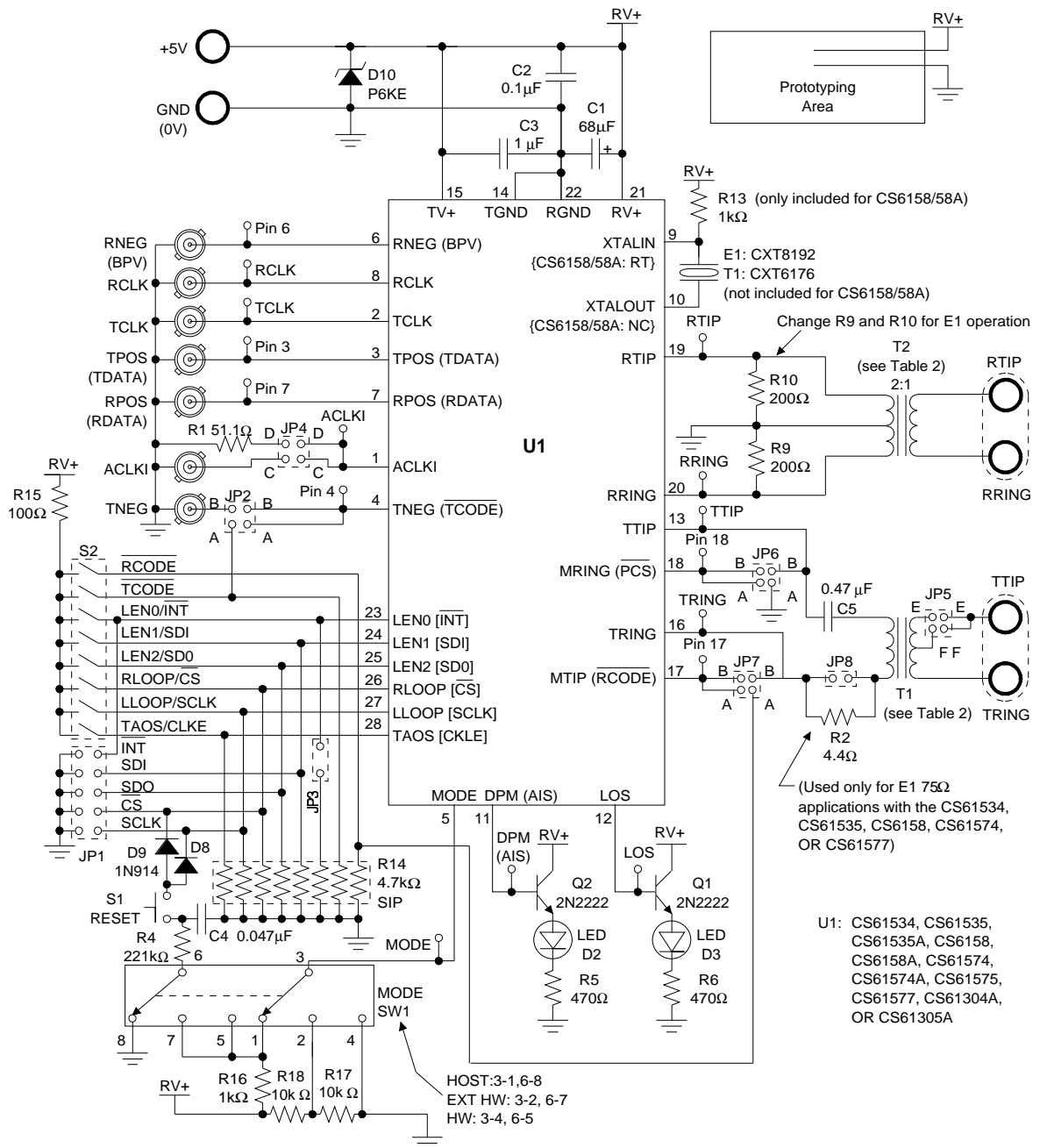


Figure 1. Evaluation Board Schematic

Performance Monitor alarm. The LED labeled LOS illuminates when the line interface receiver has detected a loss of signal.

### Extended Hardware Mode

In the Extended Hardware operating mode, the line interface is configured using DIP switch S2. The digital control inputs to the device selected by S2 include: transmit all ones (TAOS), local loopback (LLOOP), remote loopback (RLOOP), transmit line length selection (LEN2, LEN1, LEN0), transmit line code ( $\overline{\text{TCODE}}$ ), and receive line code ( $\overline{\text{RCODE}}$ ). Closing a DIP switch (moving it towards the S2 label) sets the device control pin of the same name to logic 1 (+5 Volts). Note that the  $\overline{\text{TCODE}}$  and  $\overline{\text{RCODE}}$  options are active low and are enabled when the switch is moved away from the S2 label. The parallel chip select input  $\overline{\text{PCS}}$  is tied to ground in Extended Hardware mode to enable the device to be reconfigured when S2 is changed. In addition, the host processor interface connector JP1 should not be used in Extended Hardware mode.

Two LED status indicators are provided in Extended Hardware mode. The LED labeled DPM (AIS) illuminates when the line interface detects the receive blue alarm (AIS). The LED labeled LOS illuminates when the line interface receiver has detected a loss of signal.

### Host Mode

In the Host operating mode, the line interface is configured using a host processor connected to the serial interface port JP1. The S2 switch position labeled CLKE selects the active edge of SCLK and RCLK. Closing the CLKE switch selects RPOS and RNEG to be valid on the falling edge of RCLK and SDO to be valid on the rising edge of SCLK as required by the CS2180B T1 framer.

All other DIP switch positions on S2 should be open (logic 0) to prevent shorting of the serial in-

terface signals. Resistor R15 is a current limiting resistor that prevents the serial interface signals from being shorted directly to the +5 Volt supply if any S2 switch, other than CLKE, is closed. Jumper JP3 should be out so the  $\overline{\text{INT}}$  pin may be externally pulled-up at the host processor interrupt pin.

Two LED status indicators are provided in Host mode. The LED labeled DPM (AIS) illuminates when the line interface asserts the Driver Performance Monitor alarm. The LED labeled LOS illuminates when the line interface receiver has detected a loss of signal.

### Manual Reset

A manual reset circuit is provided that can be used in Hardware and Extended Hardware modes. The reset circuit consists of S1, R4, R16, C4, D8, and D9. Pressing switch S1 forces both LLOOP and RLOOP to a logic 1 and causes a reset. A reset is only necessary for the CS61534 device to calibrate the center frequency of the receiver clock recovery circuit. All other line interface units use a continuously calibrated clock recovery circuit that eliminates the reset requirement.

### TRANSMIT CIRCUIT

The transmit clock and data signals are supplied on BNC inputs labeled TCLK, TPOS(TDATA), and TNEG. In the Hardware and Host operating modes, data is supplied on the TPOS(TDATA) and TNEG connectors in dual NRZ format. In the Extended Hardware operating mode, data is supplied in NRZ format on the TPOS(TDATA) connector and TNEG is not used.

The transmitter output is transformer coupled to the line through a transformer denoted as T1 in Figure 1. The signal is available at the TTIP and TRING binding posts. Capacitor C5 is the recommended 0.47  $\mu\text{F}$  DC blocking capacitor.

The evaluation board supports 100 $\Omega$  twisted-pair T1, 75 $\Omega$  coax E1, and 120 $\Omega$  twisted-pair E1 operation. The CDB61534, CDB61535, CDB6158, CDB61574, and CDB61577 are supplied from the factory with a 1:2 transmit transformer that may be used for all T1 and E1 applications. The CDB61535A, CDB6158A, CDB61574A, CDB61575, CDB61304A, and CDB61305A are supplied with a 1:1.15 transmit transformer installed for T1 applications. An additional 1:1:1.26 transformer for E1 applications is provided with the board. This transformer requires JP5 to be jumpered across F-F for 75 $\Omega$  coax E1 applications.

The CDB61534, CDB61535, CDB6158, CDB61574, and CDB61577 require the JP8 jumper to be out for 75 $\Omega$  coax E1 applications. This inserts resistor R2 to reduce the transmit pulse amplitude and meet the 2.37 V nominal pulse amplitude requirement in CCITT G.703. In addition, R2 increases the equivalent load impedance across TTIP and TRING.

## RECEIVE CIRCUIT

The receive line interface signal is input at the RTIP and RRING binding posts. The receive signal is transformer coupled to the line interface device through a center-tapped 1:2 transformer. The transformer produces ground referenced pulses of equal amplitude and opposite polarity on RTIP and RRING.

The receive line interface is terminated by resistors R9 and R10. The evaluation boards are supplied from the factory with 200 $\Omega$  resistors for terminating 100 $\Omega$  T1 twisted-pair lines. Resistors R9 and R10 should be replaced with 240 $\Omega$  resistors for terminating 120 $\Omega$  E1 twisted-pair lines or 150 $\Omega$  resistors for terminating 75 $\Omega$  E1 coaxial lines. Two 243 $\Omega$  resistors and two 150 $\Omega$  resistors are included with the evaluation board for this purpose.

The recovered clock and data signals are available on BNC outputs labeled RCLK, RPOS(RDATA), and RNEG(BPV). In the Hardware and Host operating modes, data is output on the RPOS(RDATA) and RNEG(BPV) connectors in dual NRZ format. In the Extended Hardware operating mode, data is output in NRZ format on the RPOS(RDATA) connector and bipolar violations are reported on the RNEG(BPV) connector.

## QUARTZ CRYSTAL

A quartz crystal must be installed in socket Y1 for all devices except the CS6158 and CS6158A. A Crystal Semiconductor CXT6176 crystal is recommended for T1 operation and a CXT8192 is recommended for E1 operation. The evaluation board has a CXT6176 installed at the factory and a CXT8192 is also provided with the board.

The CDB6158 and CDB6158A have resistor R13 installed instead of a crystal. This connects the RT pin of the device to the +5 Volt supply.

## ALTERNATE CLOCK INPUT

The ACLKI BNC input provides the alternate clock reference for the line interface device (ACLK for the CS61534) when JP4 is jumpered across C-C. This clock is required for the CS61534, CS61535, CS6158, and CS6158A operation but is optional for all other line interface devices. If ACLKI is provided, it may be desirable to connect both C-C and D-D positions on JP4 to terminate the external clock source providing ACLKI with the 51 $\Omega$  resistor R1. If ACLKI is optional and not used, connector JP4 should be jumpered across D-D to ground pin 1 of the device through resistor R1.

## TRANSFORMER SELECTION

To permit the evaluation of other transformers, Table 2 lists the transformer and line interface device combinations that can be used in T1 and E1

applications. A letter at the intersection of a row and column in Table 2 indicates that the selected transformer is supported for use with the device. The transformer is installed in the evaluation board with pin 1 positioned to match the letter illustrated on the drawing in Table 2. For example, the Pulse Engineering PE-65388 transformer may be used with the transmitter of the CS61575 device for 100 $\Omega$  T1 applications only (as indicated by note 3) when installed in transformer socket T1 with pin 1 at position D (upper right).

### **PROTOTYPING AREA**

A prototyping area with power supply and ground connections is provided on the evaluation board. This area can be used to develop and test a variety of additional circuits like a data pattern generator, CS2180B framer, system synchronizer PLL, or specialized interface logic.

### **EVALUATION HINTS**

1. Properly terminate TTIP/TRING when evaluating the transmit output signal. For more information concerning pulse shape evaluation, refer to the Crystal application note entitled "Measurement and Evaluation of Pulse Shapes in T1/E1 Transmission Systems."
2. Change the receiver terminating resistors R9 and R10 when evaluating E1 applications. Resistors R9 and R10 should be replaced with 240 $\Omega$  resistors for terminating 120 $\Omega$  E1 twisted-pair lines or 150 $\Omega$  resistors for terminating 75 $\Omega$  E1 coaxial lines. Two 243 $\Omega$  resistors and two 150 $\Omega$  resistors are included with the evaluation board for this purpose.
3. Closing a DIP switch on S2 towards the label sets the device control pin of the same name to logic 1 (+5 Volts).

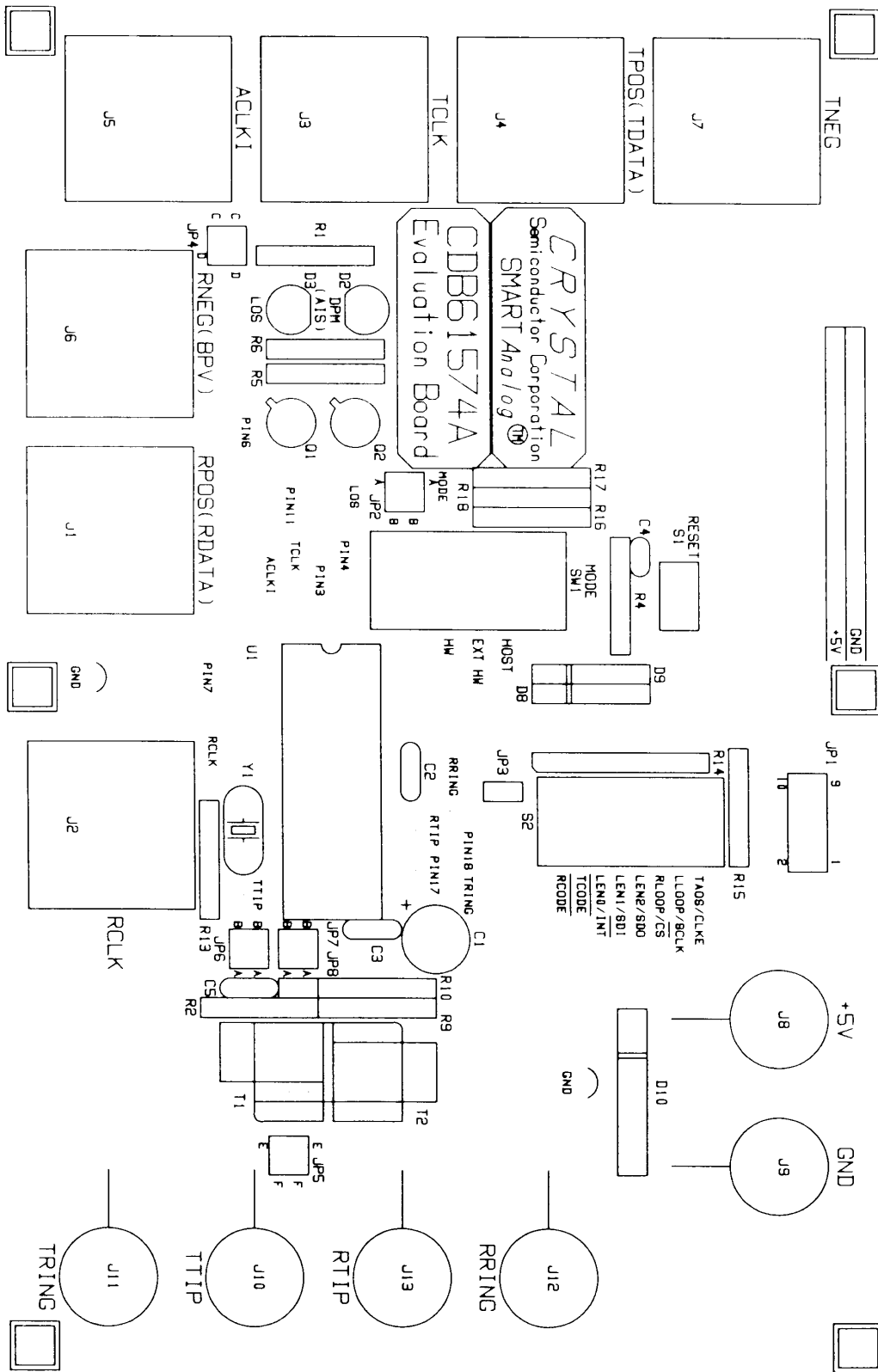
4. To avoid damage to the external host controller connected to JP1, all S2 switch positions (except CLKE) should be open. In the Host operating mode, the CLKE switch selects the active edge of SCLK and RCLK.

| TRANSFORMER<br>(Turns Ratio) <sup>1,2</sup> | LINE INTERFACE UNIT |    |     |    |      |                |     |    |      |                |         |    |      |                |     |                |                 |                  |
|---|---------------------|----|-----|----|------|----------------|-----|----|------|----------------|---------|----|------|----------------|-----|----------------|-----------------|------------------|
|   | '34                 |    | '35 |    | '35A |                | '58 |    | '58A |                | '74,'77 |    | '74A |                | '75 |                | '304A,<br>'305A |                  |
|   | RX                  | TX | RX  | TX | RX   | TX             | RX  | TX | RX   | TX             | RX      | TX | RX   | TX             | RX  | TX             | RX              | TX               |
| PE-65351 (1:2CT)                            | A                   | D  | A   | D  | A    |                | A   | D  | A    |                | A       | D  | A    |                | A   |                | A               |                  |
| Schott 12930 (1:2CT)                        | B                   | C  | B   | C  | B    |                | B   | C  | B    |                | B       | C  | B    |                | B   |                | B               |                  |
| PE-65388 (1:1.15)                           |                     |    |     |    |      | D <sup>3</sup> |     |    |      | D <sup>3</sup> |         |    |      | D <sup>3</sup> |     | D <sup>3</sup> |                 | D <sup>3,5</sup> |
| Schott 12931 (1:1.15)                       |                     |    |     |    |      | C <sup>3</sup> |     |    |      | C <sup>3</sup> |         |    |      | C <sup>3</sup> |     | C <sup>3</sup> |                 | C <sup>3,5</sup> |
| PE-65389 (1:1:1.26)                         |                     |    |     |    |      | D <sup>4</sup> |     |    |      | D <sup>4</sup> |         |    |      | D <sup>4</sup> |     | D <sup>4</sup> |                 | D <sup>4,5</sup> |
| Schott 12932 (1:1:1.26)                     |                     |    |     |    |      | C <sup>4</sup> |     |    |      | C <sup>4</sup> |         |    |      | C <sup>4</sup> |     | C <sup>4</sup> |                 | C <sup>4,5</sup> |
| PE-64951 (dual 1:2CT)                       | E                   |    | E   |    |      |                | E   |    |      |                | E       |    |      |                |     |                |                 |                  |
| Schott 11509 (dual 1:2CT)                   | E                   |    | E   |    |      |                | E   |    |      |                | E       |    |      |                |     |                |                 |                  |
| PE-65565 (dual 1:1.15 & 1:2CT)              |                     |    |     |    |      | E <sup>3</sup> |     |    |      | E <sup>3</sup> |         |    |      | E <sup>3</sup> |     | E <sup>3</sup> |                 | E <sup>3,5</sup> |
| Schott 12531 (dual 1:1.15 & 1:2CT)          |                     |    |     |    |      | E <sup>3</sup> |     |    |      | E <sup>3</sup> |         |    |      | E <sup>3</sup> |     | E <sup>3</sup> |                 | E <sup>3,5</sup> |
| PE-65566 (dual 1:1:1.26 & 1:2CT)            |                     |    |     |    |      | E <sup>4</sup> |     |    |      | E <sup>4</sup> |         |    |      | E <sup>4</sup> |     | E <sup>4</sup> |                 | E <sup>4,5</sup> |
| Schott 12532 (dual 1:1:1.26 & 1:2CT)        |                     |    |     |    |      | E <sup>4</sup> |     |    |      | E <sup>4</sup> |         |    |      | E <sup>4</sup> |     | E <sup>4</sup> |                 | E <sup>4,5</sup> |

**NOTES:**

1. A letter at the intersection of a row and column in Table 2 indicates that the selected transformer is supported for use with the device. The transformer is installed in the evaluation board with pin 1 positioned to match the letter illustrated in the drawing to the left.
2. The receive transformer (RX) is soldered at location T2 on the evaluation board and is used for all applications. The transmit transformer (TX) is socketed at location T1 on the evaluation board and may be changed according to the application.
3. For use in 100Ω T1 twisted-pair applications only.
4. For use in 75Ω and 120Ω E1 applications only. Place jumper JP5 in position F-F for 75Ω E1 applications requiring a 1:1 turns ratio.
5. Transmitter return loss improves when using a 1:2 turns ratio transformer with the appropriate transmit resistors.

Table 2. Transformer Applications



**Figure 2. Silk Screen Layer (NOT TO SCALE)**



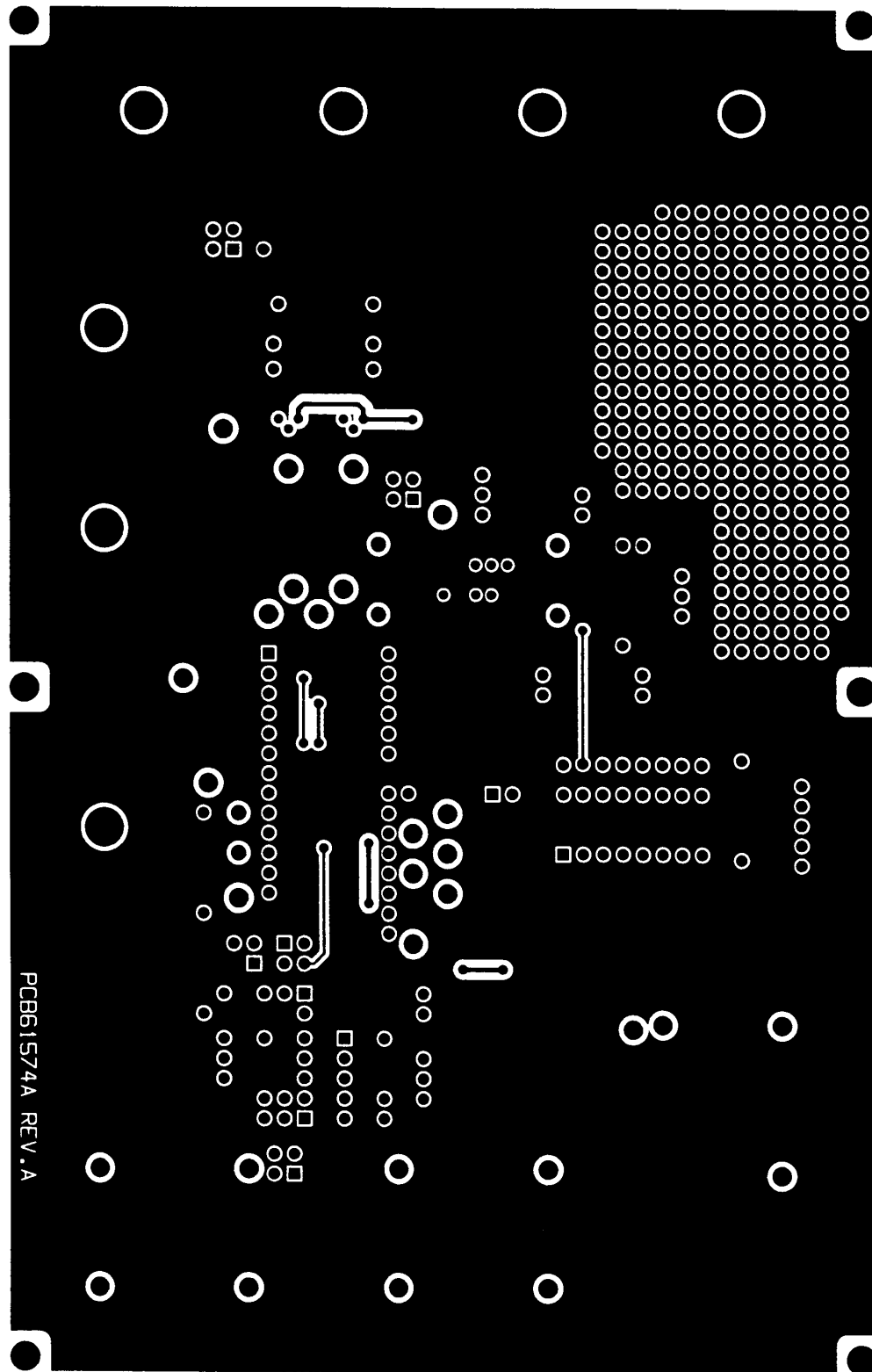


Figure 3. Top Ground Plane Layer (NOT TO SCALE)

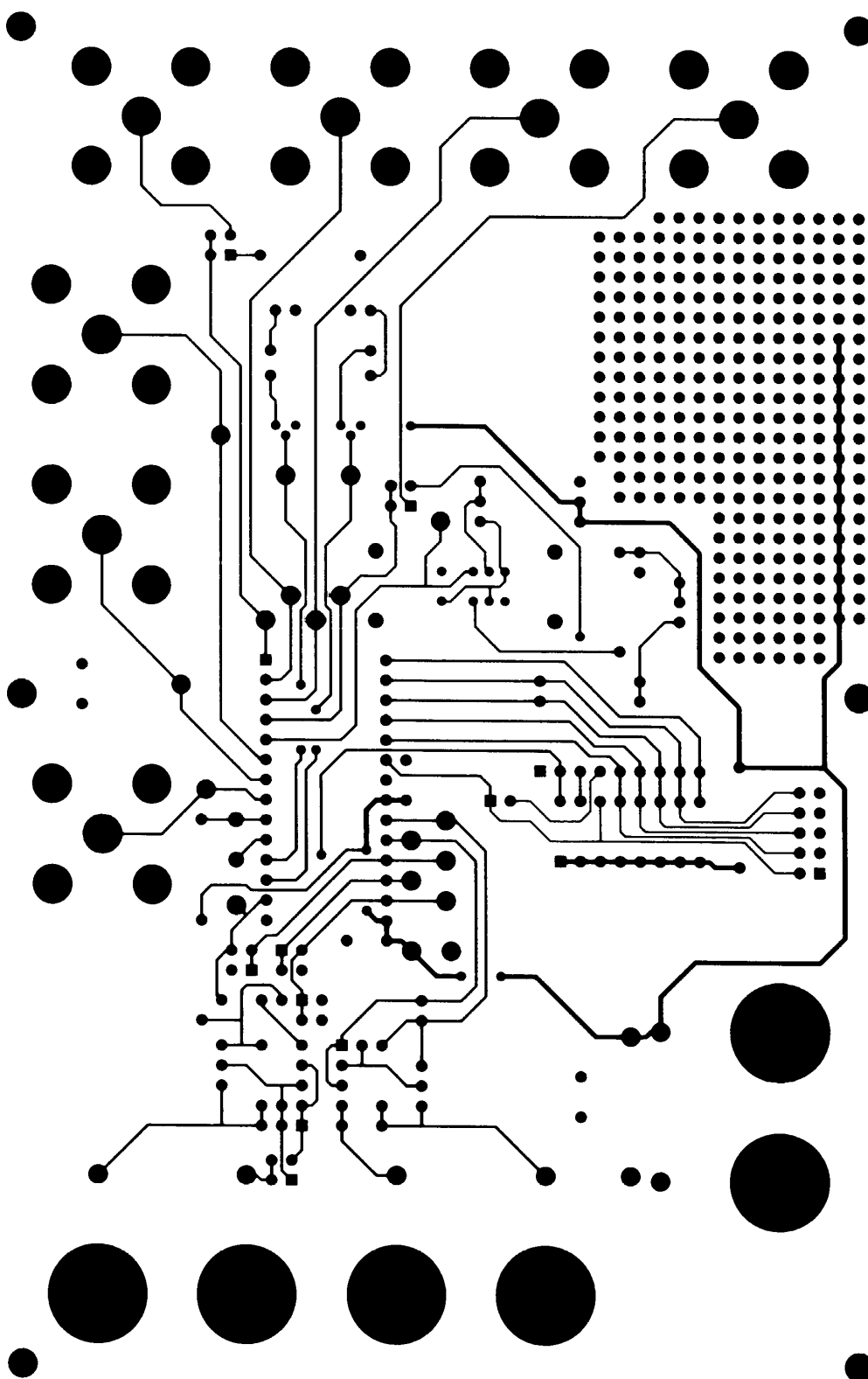


Figure 4. Bottom Trace Layer (NOT TO SCALE)

• **Notes** •



Smart *Analog*<sup>TM</sup> is a Trademark of Crystal Semiconductor Corporation