

## FESTOON LED BULB

### Data Sheet

#### 4.8mm LED Bulb Series

#### AB-P06XXXXXXXXXXXX-XX

##### Description:

These High Voltage LED Bulbs are specifically designed for electric equipment, indicator light switch and where a wide view angle.

The 4.8mm round shaped radiation pattern (70°) and high luminous intensity ensure that these devices are excellent for wide field of view outdoor applications where a wide viewing angle and readability in sunlight are essential.

High efficiency LED materials are used in this Bulb. Every lamp is made with an advanced optical grade epoxy offering superior high shock and high temperature resistance in outdoor applications.

##### Feature:

- High luminous output
- Free to differentiate anode and cathode(Bi-Polar)
- Solid-state Vibration resistant
- Saving power
- Long life

##### Option:

- 12V DC
- Other industry standard base

***A-BRIGHT***

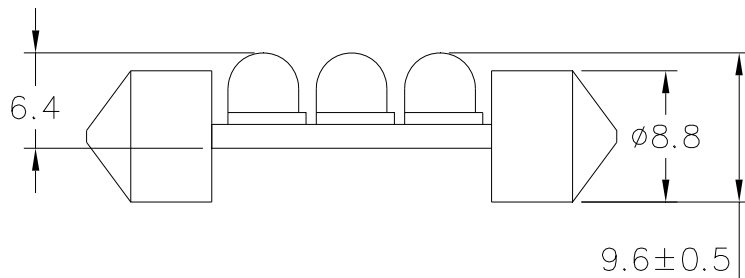
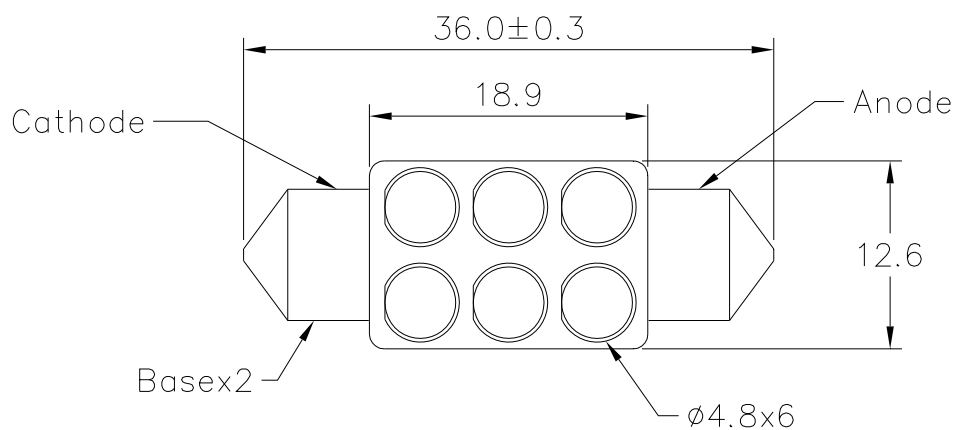
A-BRIGHT INDUSTRIAL CO.,LTD.

---

Part No.: AB-P06481TY12VD36-CF

6 Lamps LED Bulb

**PACKAGE DIMENSIONS:**



**NOTE:**

1. All dimensions are in millimeter.
2. All tolerance are  $\pm 0.25$ mm.

**Part No.: AB-P06481TY12VD36-CF**

**6 Lamps LED Bulb**

**FEATURE:**

- SUPER LUMINOSITY YELLOW LED (AlGaInP).
- WATER CLEAR PACKAGE.
- 4.8mm ALL RESIN MOLD.
- WIDE VIEWING ANGLE.
- ELECTRIC DC.

**MATERIALS:**

- LED LENS: UV RESISTENT EPOXY

**ABSOLUTE MAXIMUM RATING: Ta = 25 °C**

- PEAK OPERATE VOLTAGE..... 14 V
- OPERATING TEMPERATURE..... -25 TO +85°C
- STORAGE TEMPERATURE..... -35 TO +100°C
- LED BULB LIFE..... 20000 HOURS  
(LUMINANCE REDUCES to 50%)

**ABSOLUTE OPTICAL CHARACTERISTIC Ta= 25°C**

PARAMETER		SYMBOL	MIN	TYP	MAX	UNIT
Power dissipation		P <sub>O</sub>	----	0.5	----	W
Operate Voltage		V	----	12	14	V
Luminous Intensity	V <sub>IN</sub> = 12V DC	I <sub>V</sub>	----	6000	----	mcd
Dominant Wavelength	V <sub>IN</sub> = 12V DC	λ <sub>D</sub>	----	590	----	nm
Forward Current	V <sub>IN</sub> = 12V DC	I <sub>F</sub>	----	35	----	mA
Viewing Angle		2θ <sub>1/2</sub>	----	70	----	deg