

PLEASE CHECK WWW.MOLEX.COM FOR LATEST PART INFORMATION

Part Number: [0955222647](#)
Status: **Active**
Overview: [modular_plugs_jacks](#)
Description: HIPRO TE 6/4 JACK

Documents:

[3D Model](#) [RoHS Certificate of Compliance \(PDF\)](#)
[Drawing \(PDF\)](#)

Agency Certification

UL E107635

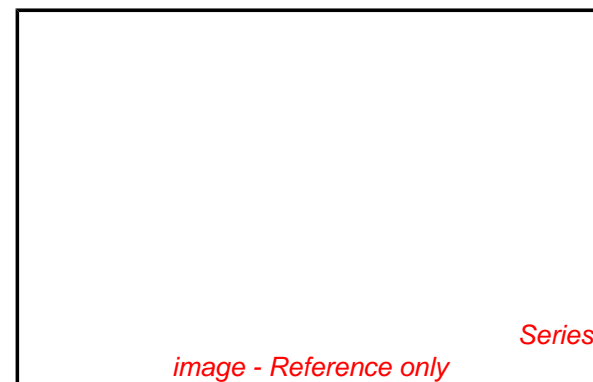
General

Product Family Modular Jacks/Plugs
 Series [95522](#)
 Component Type PCB Jack
 Magnetic No
 Overview [modular_plugs_jacks](#)
 Performance Category 3
 Power over Ethernet (PoE) N/A
 Product Name RJ11

Physical

Boot Color N/A
 Color - Resin Black
 Durability (mating cycles max) 1,000
 Flammability 94V-0
 Inverted / Top Latch No
 Lightpipes/LEDs None
 Material - Metal Brass
 Material - Plating Mating Gold
 Material - Plating Termination Tin
 Material - Resin High Temperature Thermoplastic
 Orientation Vertical (Top Entry)
 PCB Locator Yes
 PCB Retention Yes
 PCB Thickness Recommended (in) 0.062 In
 PCB Thickness Recommended (mm) 1.57 mm
 Packaging Type Tray
 Pitch - Mating Interface (in) 0.040 In
 Pitch - Mating Interface (mm) 1.02 mm
 Pitch - Term. Interface (in) 0.050 In
 Pitch - Term. Interface (mm) 1.27 mm
 Plating min: Mating (µin) 50.8
 Plating min: Mating (µm) 1.27
 Plating min: Termination (µin) 76
 Plating min: Termination (µm) 1.9
 Ports 1
 Positions / Loaded Contacts 6/4
 Surface Mount Compatible (SMC) Yes
 Temperature Range - Operating -40°C to +80°C
 Termination Interface: Style Through Hole
 Waterproof / Dustproof No
 Wire/Cable Type N/A

Electrical



EU RoHS

ELV and RoHS Compliant

REACH SVHC Contains SVHC: No
Halogen-Free Status
Halogen-Free

China RoHS



Need more information on product environmental compliance?

Email productcompliance@molex.com
 For a multiple part number RoHS Certificate of Compliance, [click here](#)

Please visit the [Contact Us](#) section for any non-product compliance questions.

Search Parts in this Series

[95522Series](#)

Mates With

FCC 68 Plugs

| | |
|-------------------------------|---------|
| Current - Maximum per Contact | 1.5A |
| Shielded | No |
| Voltage - Maximum | 125V DC |

Solder Process Data

| | |
|--|------------------------|
| Duration at Max. Process Temperature (seconds) | 5 |
| Lead-free Process Capability | Wave Capable (TH only) |
| Max. Cycles at Max. Process Temperature | 1 |
| Process Temperature max. C | 260 |

Material Info

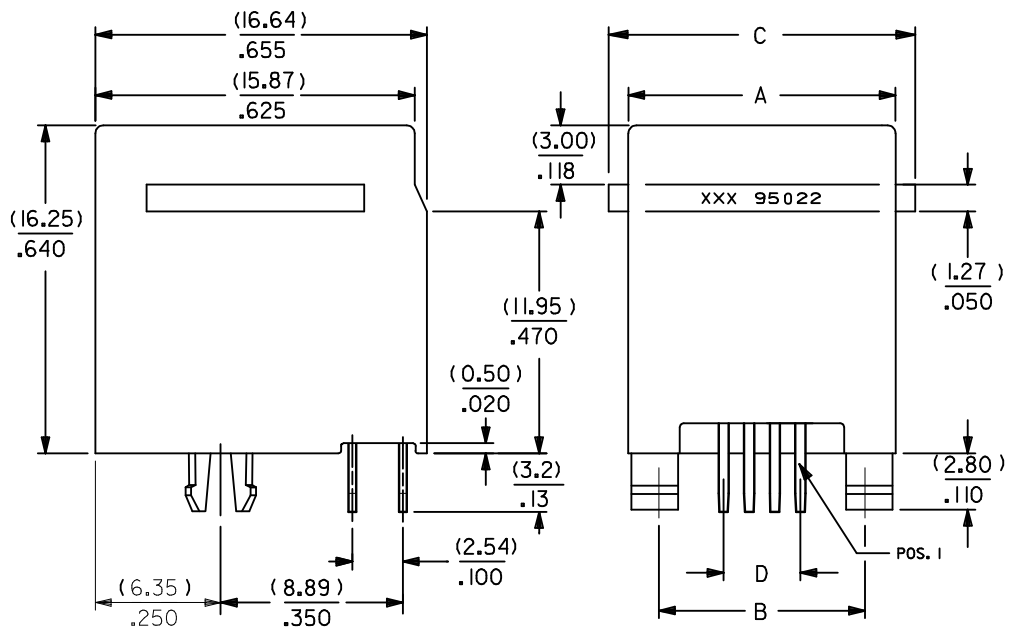
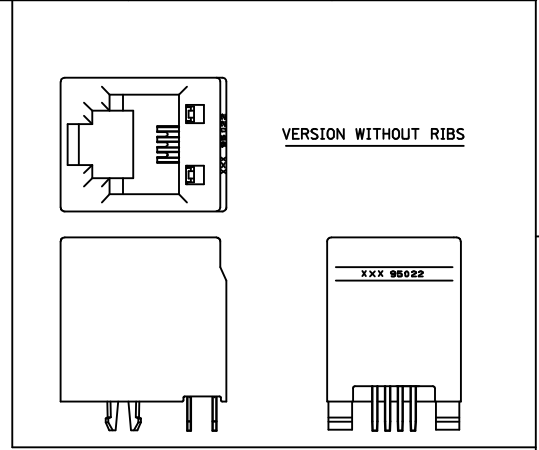
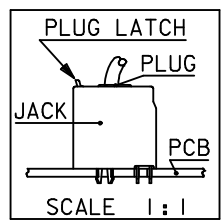
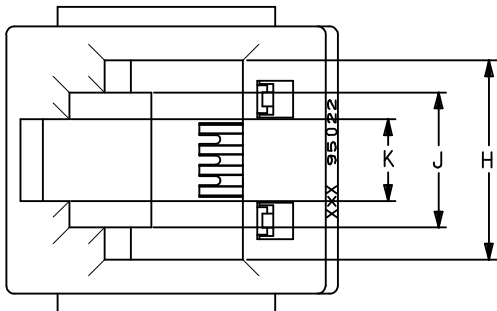
Reference - Drawing Numbers

| | |
|-------------------------|--------------|
| Packaging Specification | PK-95022 |
| Sales Drawing | SD-95522-001 |

This document was generated on 06/07/2010

PLEASE CHECK WWW.MOLEX.COM FOR LATEST PART INFORMATION

10 9 8 7 6 5 4 3 2 1



NOTES :

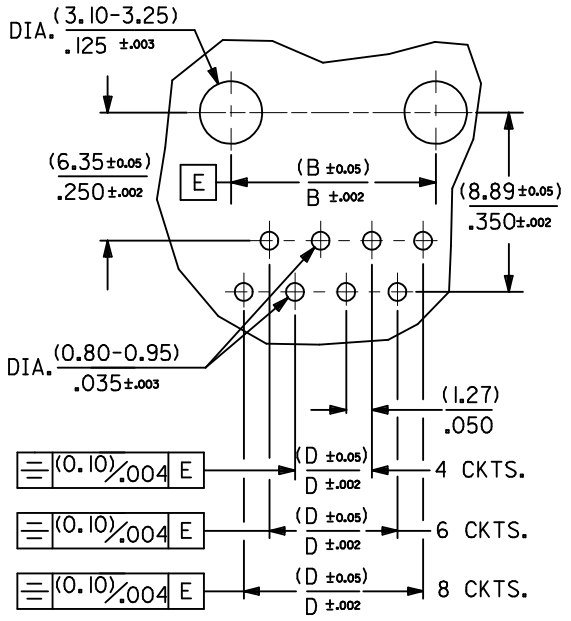
- 1- MATERIAL:**
- HOUSING: LCP FIBER GLASS FILLED 94-V-0 COLOR BLACK.
 - TERMINAL: BRASS FINISH 2
 - POST PLATE (0.00127-0.00152)/.000050-.000060 GOLD IN CONTACT AREA (0.00190)/.000075 MIN. PURE TIN IN TAIL AREA BOTH OVER (0.00127)/.000050 MIN. NICKEL OVERALL.
 - 2- PC BOARD THICKNESS : (1.57) / .062 .
 - 3- JACK FOR MATING WITH F.C.C. 68 PLUGS 90075 MOLEX SERIES .
 - 4- PRODUCT SPECIFICATION PS-95522-001.
 - 5- APPLICATION SPECIFICATION AS-85513-001
 - 6- PACKAGING SPECIFICATION PK-95022. (SHT.1 TRAY PACKAGING) PK-95022. (SHT.2 TUBE PACKAGING)
 - 7- FOR ILLUSTRATION PURPOSES A 4 CIRCUIT IS SHOWN.
 - 8- PACKAGING SPECIFICATION RPK-95022-001 (TUBE PACKAGING).
 - 9- MANUFACTURING I.D. CAN BE EITHER MG, MXF OR MXI.

| | | | | | | | | | | | |
|---|-------------------------------|--|--------|------------------|----------|---|--------------|-----------------------------|--|--|--|
| ADDED PART No. EC NO: E2009-0420 DRWN: DBYRNES 2009/03/02 CHKD: 2009/03/06 APPR: J WALLACE 2009/03/09 | QUALITY SYMBOLS ▽=0 ◻=0 | GENERAL TOLERANCES (UNLESS SPECIFIED) | | DIMENSION STYLE | | SCALE | DESIGN UNITS | THIRD ANGLE PROJECTION | | | |
| | | | | MM/IN | | 1:1 | METRIC | | | | |
| | | | | mm | INCH | DRAWN BY | DATE | TITLE | | | |
| | | | | 4 PLACES ± --- | ± --- | KNOLLER | 04/08/27 | HIGH PROFILE TOP ENTRY JACK | | | |
| | | 3 PLACES ± --- | ± .010 | CHECKED BY | DATE | | | | | | |
| | | 2 PLACES ± 0.25 | ± .014 | FCARABET | 04/08/30 | MOLEX INCORPORATED | | | | | |
| | | 1 PLACE ± 0.35 | ± --- | APPROVED BY | DATE | | | | | | |
| | | ANGULAR ± 2 ° | | KNOLLER | 04/08/30 | DOCUMENT NO. | | SHEET NO. | | | |
| | | DRAFT WHERE APPLICABLE MUST REMAIN WITHIN DIMENSIONS | | MATERIAL NO. | | SD-95522-001 | | 1 OF 3 | | | |
| | | | | SEE CHART SHT. 2 | | THIS DRAWING CONTAINS INFORMATION THAT IS PROPRIETARY TO MOLEX INCORPORATED AND SHOULD NOT BE USED WITHOUT WRITTEN PERMISSION | | | | | |
| | | | | SIZE | | | | | | | |
| | | | | A3 | | | | | | | |

9 8 7 6 5 4 3 2 1

| PART NUMBERS FOR JACK WITH RIBS | | | | | | | | | |
|---------------------------------|-----------|------------|--------|------------|--------|-----------------|--------|------------|--------|
| TYPE | PACKAGING | POS. 4 | TOOLED | POS. 6 | TOOLED | POS. 6 | TOOLED | POS. 8 | TOOLED |
| | | 4 CKTS. | | 4 CKTS. | | 6 CKTS. | | 8 CKTS. | |
| FINISH 2 | TRAY | 95522-2447 | X | 95522-2647 | X | 95522-2667 | X | 95522-2887 | X |
| | TUBE | | | | | 95522-2617 | X | | |
| | | | | | | SEE NOTE 8 SH.1 | | | |

| PART NUMBERS FOR JACK WITHOUT RIBS | | | | | | | | | |
|------------------------------------|-----------|------------|--------|------------|--------|------------|--------|------------|--------|
| TYPE | PACKAGING | POS. 4 | TOOLED | POS. 6 | TOOLED | POS. 6 | TOOLED | POS. 8 | TOOLED |
| | | 4 CKTS. | | 4 CKTS. | | 6 CKTS. | | 8 CKTS. | |
| FINISH 2 | TRAY | 95522-2441 | X | 95522-2641 | X | 95522-2661 | X | 95522-2881 | X |
| | TUBE | | | | | 95522-2611 | X | | |



MOUNTING HOLE PATTERNS
(SEE FROM COMPONENT SIDE)

| DIM. | TYPE | POS. 4 | POS. 6 | | POS. 8 |
|------|-------------|----------------|----------------|----------------|----------------|
| | | 4 CKTS. | 4 CKTS. | 6 CKTS. | 8 CKTS. |
| A | (WITH RIBS) | (11.18) / .440 | (13.21) / .520 | (13.21) / .520 | (15.24) / .600 |
| B | | (7.62) / .300 | (10.16) / .400 | (10.16) / .400 | (11.43) / .450 |
| C | | (14.00) / .551 | (16.00) / .630 | (16.00) / .630 | (18.00) / .709 |
| D | | (3.81) / .150 | (3.81) / .150 | (6.35) / .250 | (8.89) / .350 |
| H | | (7.82) / .308 | (9.88) / .389 | (9.88) / .389 | (11.94) / .470 |
| J | | (5.64) / .222 | (6.70) / .264 | (6.70) / .264 | (6.30) / .248 |
| K | | (3.07) / .121 | (4.06) / .160 | (4.06) / .160 | (4.06) / .160 |

| | | | | | | |
|---|-----------------|---|---|-----------------|-----------------------------|------------------------|
| ADDED 95522-2611 EC NO: E2009-0420 DRW: DBYRNES 2009/03/02 CHKD: 2009/03/06 APPR: JWALLACE 2009/03/09 | QUALITY SYMBOLS | GENERAL TOLERANCES (UNLESS SPECIFIED) | DIMENSION STYLE | SCALE | DESIGN UNITS | THIRD ANGLE PROJECTION |
| | ▼=0 □=0 | mm INCH 4 PLACES ± --- ± --- 3 PLACES ± --- ± .010 2 PLACES ± 0.25 ± .014 1 PLACE ± 0.35 ± --- ANGULAR ± 2 ° | MM/IN | 1:1 | METRIC | |
| | DESCRIPTION | DRAFT WHERE APPLICABLE MUST REMAIN WITHIN DIMENSIONS | DRAWN BY DATE | TITLE | HIGH PROFILE TOP ENTRY JACK | |
| | | | KNOLLER 04/08/27 | CHECKED BY DATE | MOLEX INCORPORATED | |
| | | FCARABET 04/08/30 | APPROVED BY DATE | DOCUMENT NO. | | |
| | | KNOLLER 04/08/30 | MATERIAL NO. | SD-95522-001 | | |
| | | | SIZE | SHEET NO. | | |
| | | | A3 | 2 OF 3 | | |
| | | | THIS DRAWING CONTAINS INFORMATION THAT IS PROPRIETARY TO MOLEX INCORPORATED AND SHOULD NOT BE USED WITHOUT WRITTEN PERMISSION | | | |