

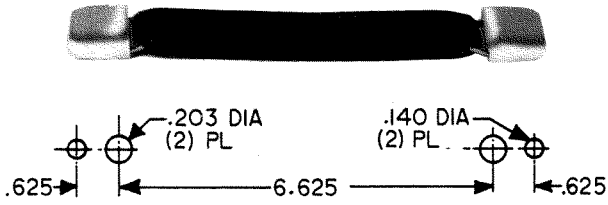


Designers' Choice

# HANDLES

## CARRYING HANDLES

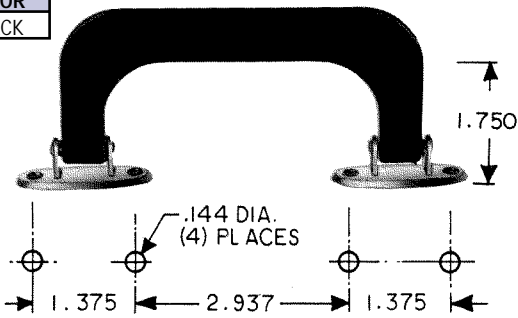
Spring glide handle, manufactured of black leather like material with chrome plated steel hardware. Handle lies flat on case when not in use. Will not rattle under vibration. Maximum extended height at center line, 1 1/4 inches. Mounts with #10-32 screws (not supplied).



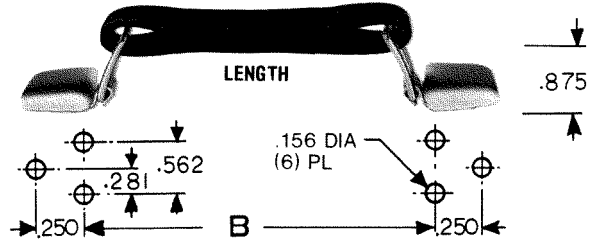
CAT. NO. 8350

Molded of polypropylene with a leather gran look. Folds flat on case when not in use. Mounts with rivets of #6 screws (not supplied)

CAT. NO.	COLOR
8356	BLACK

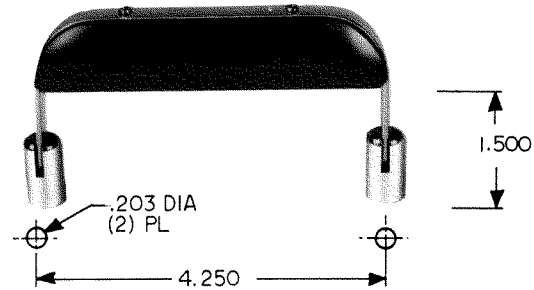


The retracto link handle manufactured of black leather like material with nickel plated steel hardware. It is internally constructed of rubber impregnated cellulose wound over a spring steel core. Handle folds flat on case when not in use. Mounts with #6 size screws.



CAT. NO.	LENGTH	"B"
8351	4-1/2	5-3/4
8351	5-1/2	6-5/8
8353	6-3/4	7-7/8

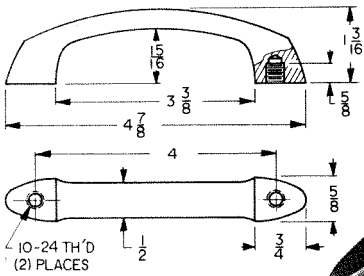
Molded of high impact styrene with steel nickel plated hardware. Folds flat on case when not in use. Mounts with #10-32 screws (not supplied)



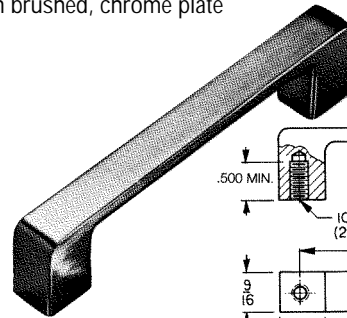
CAT. NO.	COLOR
8354	BLACK
8355	GRAY

## CONTEMPORARY HANDLES

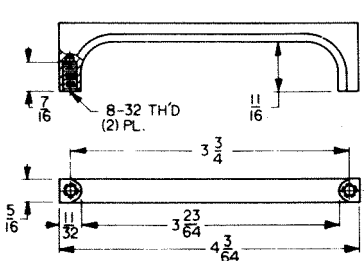
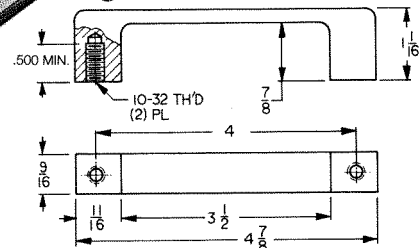
MATERIALS: Zinc; Finish: Satin brushed, chrome plate



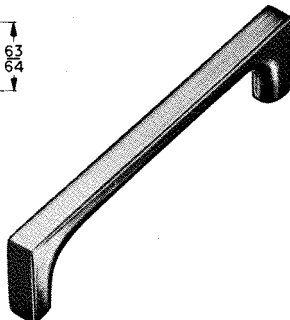
CAT. NO. 7197



CAT. NO. 7196



CAT. NO. 7199



CAT. NO. 7198

