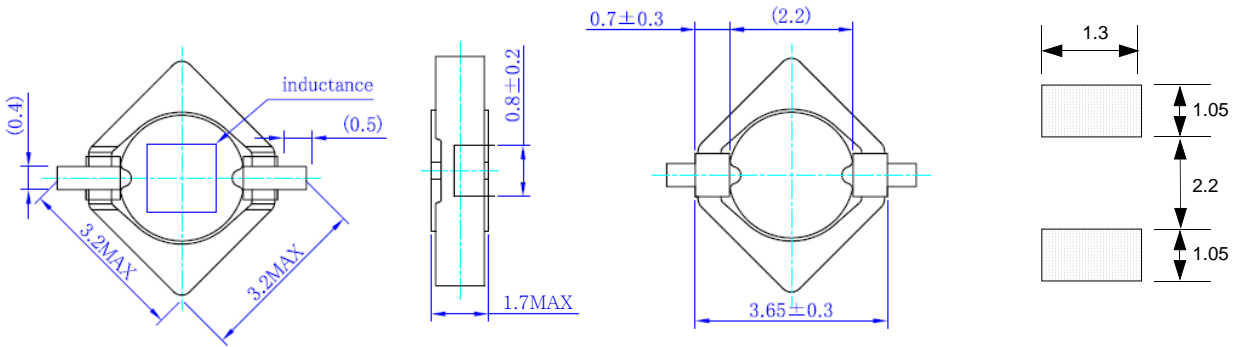




Mechanical Dimension [Unit : mm]

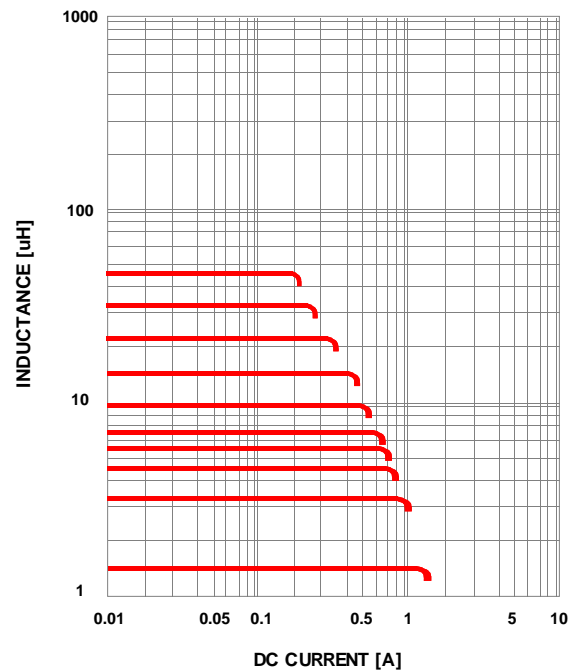
Recommended Pattern



Electrical Characteristics

DC Superimposed Inductance Characteristics

Part No.	Inductance (uH)	Tolerance	DC Resistance (mΩ MAX)	Rated Current (A MAX)	
				Isat	Irms
SNFC0317P-1R5F	1.5	± 30%	50	1.40	2.72
SNFC0317P-3R3F	3.3	± 30%	110	0.97	1.80
SNFC0317P-4R7F	4.7	± 30%	140	0.77	0.60
SNFC0317P-5R6F	5.6	± 30%	210	0.71	1.33
SNFC0317P-6R8F	6.8	± 30%	240	0.64	1.24
SNFC0317P-8R2F	8.2	± 30%	260	0.58	1.19
SNFC0317P-100F	10	± 20%	335	0.53	1.04
SNFC0317P-120F	12	± 20%	470	0.50	0.88
SNFC0317P-150F	15	± 20%	535	0.45	0.83
SNFC0317P-220F	22	± 20%	625	0.37	0.75
SNFC0317P-330F	33	± 20%	780	0.28	0.54
SNFC0317P-470F	47	± 20%	970	0.21	0.42



Measuring Frequency (L) : 100KHz/0.1V

Rated Current : Isat or Irms, whichever is lower.

- Isat : D.C. Current at which the Inductance drops -30%(MAX.) from its value without current.

- Irms : D.C. Current for temperature rise ΔT=35℃ above 20℃ ambient.

Lead-Free is apply to all of items.

Parts Code

SNEC ○○○○ P - △△△ E

* SNEC : Series P : Type E : Material

