

FEATURES

- Two independent relay installed in one package
- Miniaturized structure, light weight
- Improved contact capacity
- Big gap type available for heavy motor load switching

TYPICAL AUTOMOTIVE APPLICATIONS

- Power antenna
- Power window
- Interval wiper
- Slide roof control
- Tilt lock wheel
- Automatic door lock
- Automatic seat adjustment

CONTACT DATA

Form		2 Form C (2Z)
Max. Switching Current	Make	60A
	Break	20A
Material		AgNi0.15, AgSnOInO
Max. Switching Voltage		16VDC
Max. Continuous Current		35A, 10 min; 25A, 1 hr
Min. Load		0.1A, 5VDC
Service Life	Mechanical	10 ⁷ ops.
	Electrical	10 ⁵ ops. see Note 3

COIL DATA

Type	Coil Voltage Code	Nominal Voltage (VDC)	Resistance (Ω) ±10%	Must Operate Voltage max. (VDC)	Must Release Voltage min. (VDC)
Standard 0.6W	006	6	60	3.6	0.6
	009	9	135	5.4	0.9
	012	12	240	7.3	1.2
	024	24	960	14.4	2.4
Big Gap 0.8W	006	6	45	3.6	0.6
	009	9	100	5.4	0.9
	012	12	180	7.3	1.2
	024	24	720	14.4	2.4

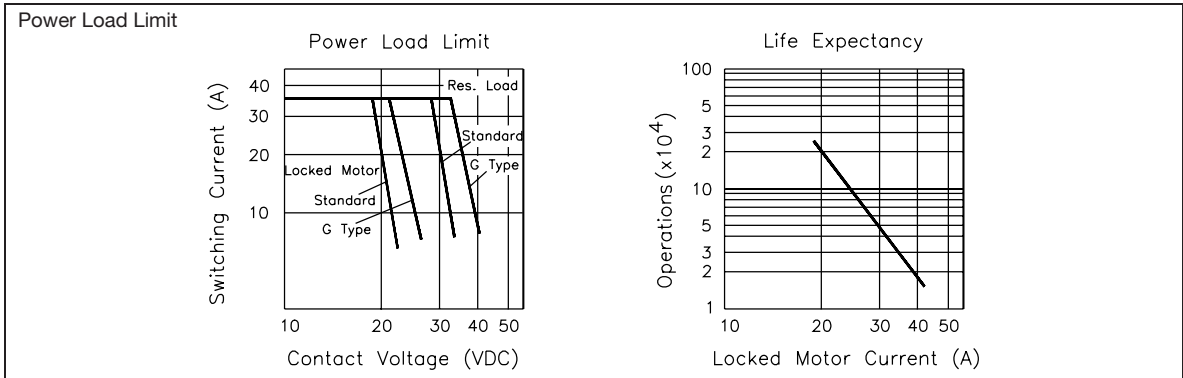
CHARACTERISTICS

Operate Time	10 ms. typical
Release Time	5 ms. typical
Insulation Resistance	100 MΩ, at 500 VDC, 50%RH
Dielectric Strength	500 Vrms, 1 min.
Shock Resistance	10 g, 11ms.
Vibration Resistance	DA 1.5 mm, 10 - 55 Hz
Drop Resistance	1 M high drop on concrete
Power Consumption	Standard: 0.6W; Big Gap: 0.8 W
Ambient Temperature	-30 C to 85 C operating; -40 C to 100 C storage
Weight	13 g, approx.

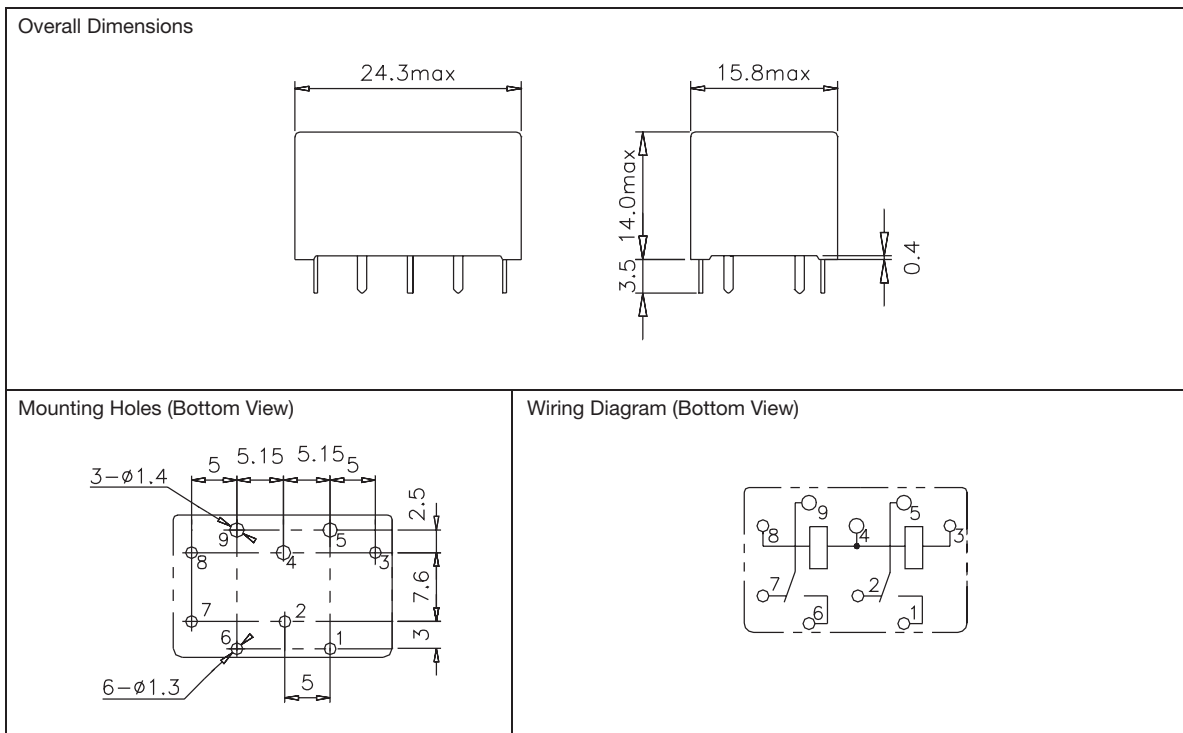
ORDERING DESIGNATION

Example:	HG4508 /	012 -	2Z	1	A	G
Model						
Coil Voltage Code						
Contact Form						
2Z: 2 Form C						
Version						
1: Sealed; 2: Dust Cover						
Contact Material						
Nil: AgNi10; A: AgNi0.15; C: AgCdO; S: AgSnOInO						
Contact gap						
Nil: Standard; G: Big Gap						

REFERENCE CURVE



OVERALL DIMENSIONS, MOUNTING HOLES AND WIRING DIAGRAM (mm)



NOTES

1. All parameters, unless otherwise specified, are measured at ambient temperature 23°C.
2. Maximum make current refers to inrush current of motor load.
3. Electrical life obtained at motor load of locked rotor at 20A, 14VDC with operating frequency of 1 ops/sec.
4. Custom-made services available with operational quantity. Please let us know your special requirements.
5. Specifications subject to change without prior notice.