

PLEASE CHECK WWW.MOLEX.COM FOR LATEST PART INFORMATION

Part Number: [0643204311](#)
Status: **Active**
Overview: [cmc connectors](#)
Description: .635mm (.025"), 1.50mm (.059"), CMC Receptacle, 36 Circuits, Right Wire Output, Black Coding, Mat Sealed, Row 1 closed

Documents:

[3D Model](#) [Application Specification \(PDF\)](#)
[Drawing \(PDF\)](#) [RoHS Certificate of Compliance \(PDF\)](#)

General

Product Family	Crimp Housings
Series	64320
Comments	* Current tested on a 5 terminals loaded connector, current for temperature increase of 40°C . Current max = 6.0A for 0.635mm Terminal (0.75mm ² wire) and 12.0A for 1.5mm Terminal (2.0mm ² wire) *
More Detailed Tech Information	Sealed, high-density, modular connecting system for Power Train and Body Electronics applications in cars, trucks, busses
Overview	cmc connectors
Product Name	CMC

Physical

Circuits (maximum)	36
Circuits Detail	6 x 1.5mm, 30 x 0.635mm terminals
Color - Resin	Black
Gender	Female
Glow-Wire Compliant	No
Keying to Mating Part	Yes
Lock to Mating Part	Yes
Material - Resin	Polyester
Number of Rows	4
Packaging Type	Carton
Panel Mount	No
Pitch - Mating Interface (in)	0.100 In, 0.146 In
Pitch - Mating Interface (mm)	2.54 mm, 3.70 mm
Polarized to Mating Part	Yes
Stackable	No
Temperature Range - Operating	-40°C to +125°C

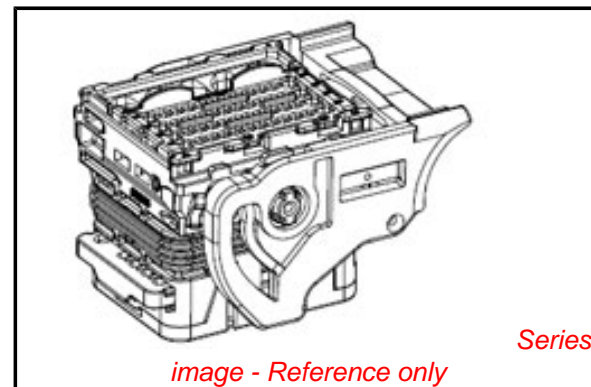
Electrical

Current - Maximum per Contact	12A, 6A
-------------------------------	---------

Material Info

Reference - Drawing Numbers

Packaging Specification	PK-64320-001
Sales Drawing	SD-64320-003, SD-98644-006



EU RoHS

ELV and RoHS Compliant
REACH SVHC
 Not Reviewed
Halogen-Free Status
 Not Reviewed

China RoHS



Need more information on product environmental compliance?

Email productcompliance@molex.com
 For a multiple part number RoHS Certificate of Compliance, [click here](#)

Please visit the [Contact Us](#) section for any non-product compliance questions.

Search Parts in this Series

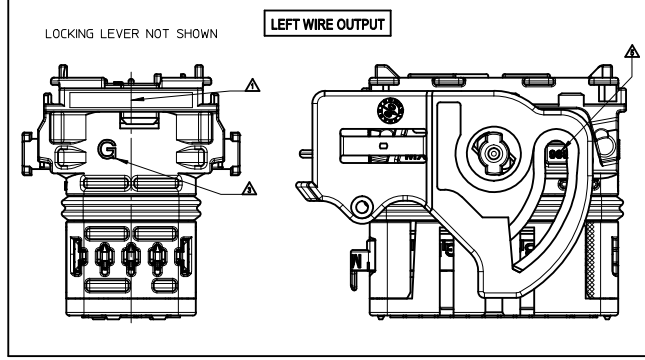
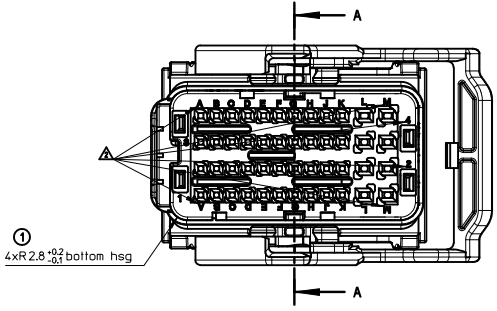
[64320Series](#)

Mates With

[36638 CMC Header](#)

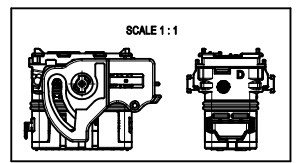
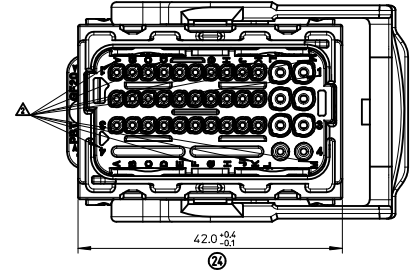
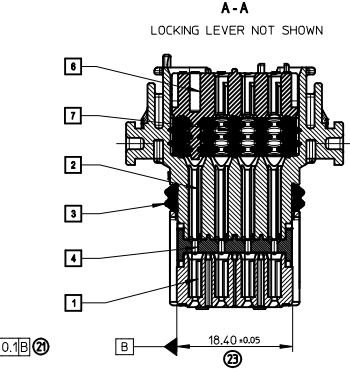
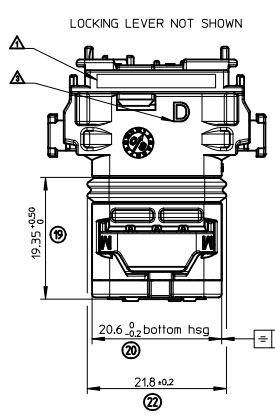
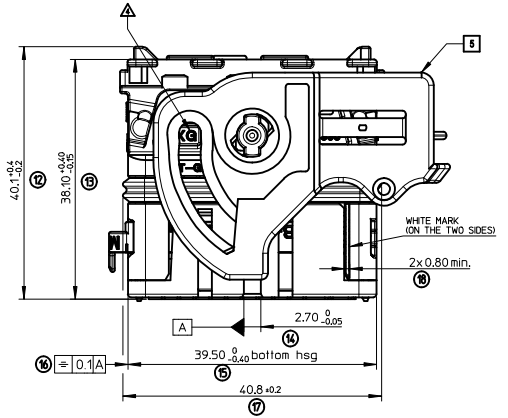
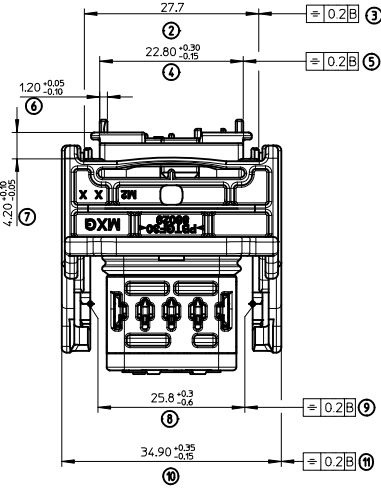
Use With

CMC CP Female Terminal [64322](#) , [64323](#).
 Circuit Way Plugs [643251010](#) , [643251023](#).
 CMC Wire Cap [643201301](#). CMC 48 Circuit Header [36638](#)



LINE N°1 CLOSED
YELLOW BACK GRID VERSION

LEFT WIRE OUTPUT		RIGHT WIRE OUTPUT	
MATERIAL NUMBER	COLOR	MATERIAL NUMBER	COLOR
0643202311	BLACK	0643204311	BLACK
0643202319	BROWN	0643204319	BROWN



- NOTES:**
- FOR ILLUSTRATION PURPOSE THE FEMALE HOUSING SHOWN IS: THE RIGHT WIRE OUTPUT VERSION CODING 1
 - APPLICATION SPECIFICATION: AS-64319-001
 - WIRES EXTERNAL DIAMETER USED:
FOR CP0.6 TERMINAL: USED WIRES WITH AN EXTERNAL DIAMETER BETWEEN Ø1.25MM MIN AND Ø1.90MM MAX
FOR CP15 TERMINAL: USED WIRES WITH AN EXTERNAL DIAMETER BETWEEN Ø1.40MM MIN AND Ø2.80MM MAX
 - THE CONNECTOR FITS WITH WIRE CAP (48 WAY) MOLEX P/N 0643201301
 - BLIND PLUG FOR 04 AND 15 CAVITIES (MOLEX P/N 0643251010 AND 0643251023) MUST BE USED ON THIS PART.
 - DELIVERED PRODUCT WEIGHT: 33.8 g

POS.	DESIGNATION	MATERIAL	COLOR
7	MAT SEAL	SILICON	BLUE
8	BACK GRID 36W	>PBT-GF20<	YELLOW
9	LOCKING LEVER 48W	>PBT-GF30<	BLACK
4	SECONDARY LOCK	>PBT-GF20<	GREY
3	PERIPHERAL SEAL 48W	SILICON	RED
2	BACK PART	>PBT-GF20<	BLACK
1	FRONT PART	>PBT-GF20<	BLACK

COLOR LINKED TO KEYING

MARKINGS :

- Assembled part tracability: Day + Year
- Terminal cavities identification
- Lever position indicator: 'D' LETTER VISIBLE = Part with 'LEVER ON THE RIGHT' 'G' LETTER VISIBLE = Part with 'LEVER ON THE LEFT'
- Supplier identification
- Material identification

UPDATED DRAWING
EC NO: DRWINGDESBUCHER 2009/06/03
CHKDC. BOUCHAN
APPR:

GENERAL TOLERANCES (UNLESS SPECIFIED)	
mm	INCH
4 PLACES ± ---	± ---
3 PLACES ± ---	± ---
2 PLACES ± 0.1	± ---
1 PLACE ± 0.1	± ---
ANGULAR ± 2 °	

DRAFT WHERE APPLICABLE MUST REMAIN WITHIN DIMENSIONS

DIMENSION STYLE	
MM ONLY	INCH
DRAWN BY	DATE
T. BADAROUX	2008/05/23
CHECKED BY	DATE
P. GRANDCLAUD	2008/05/23
APPROVED BY	DATE
C. BOUCHAN	2008/05/23

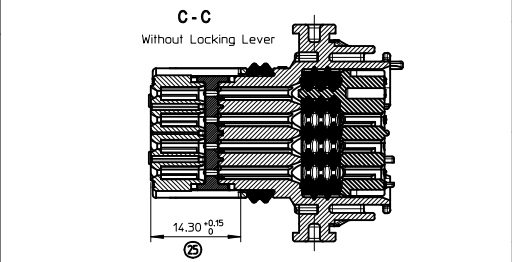
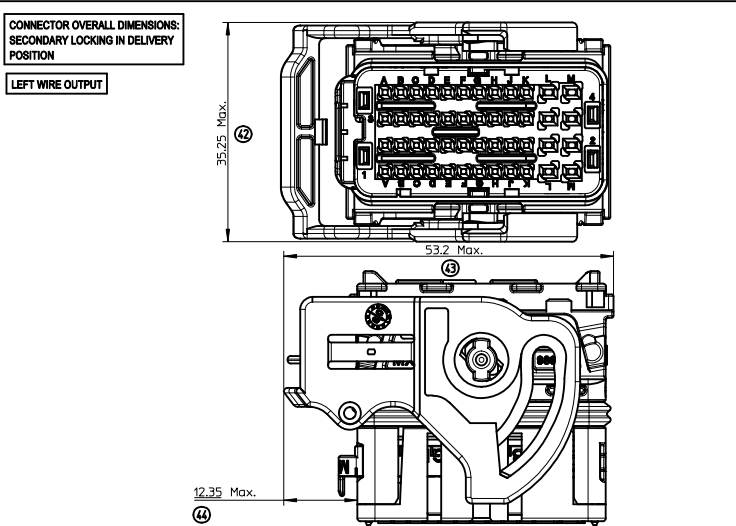
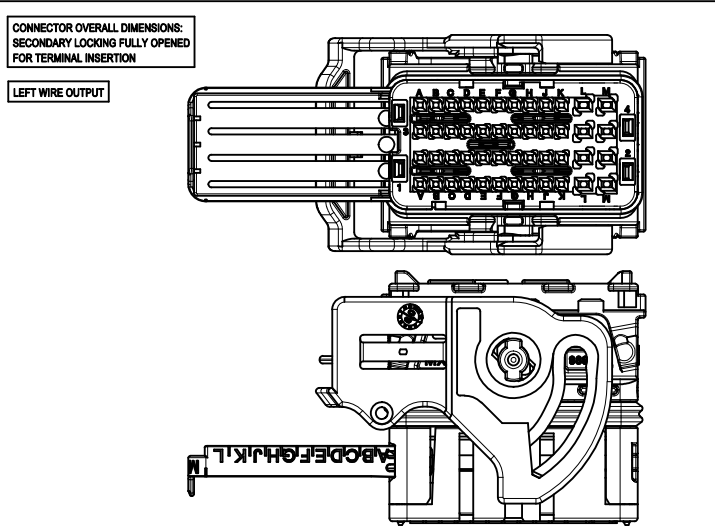
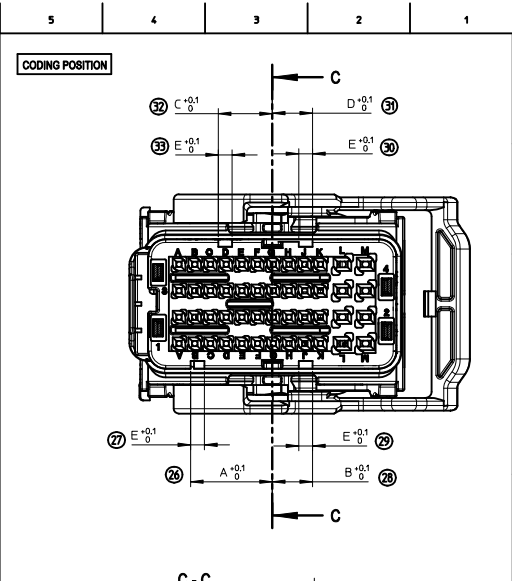
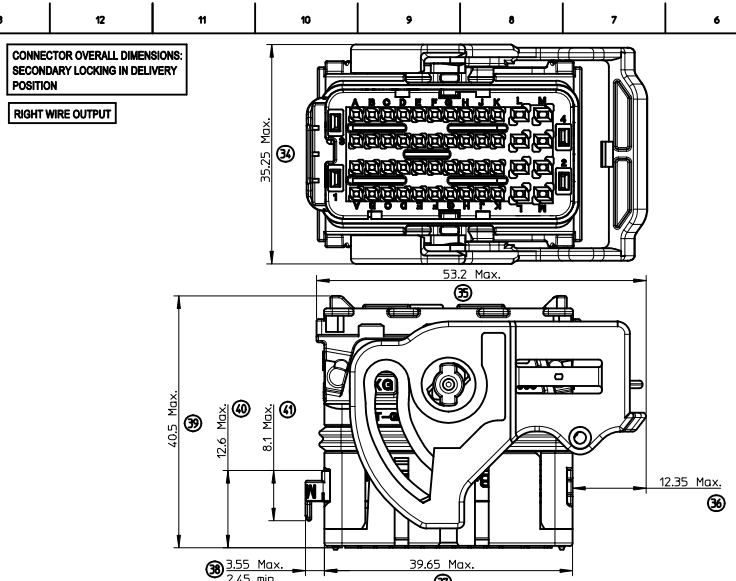
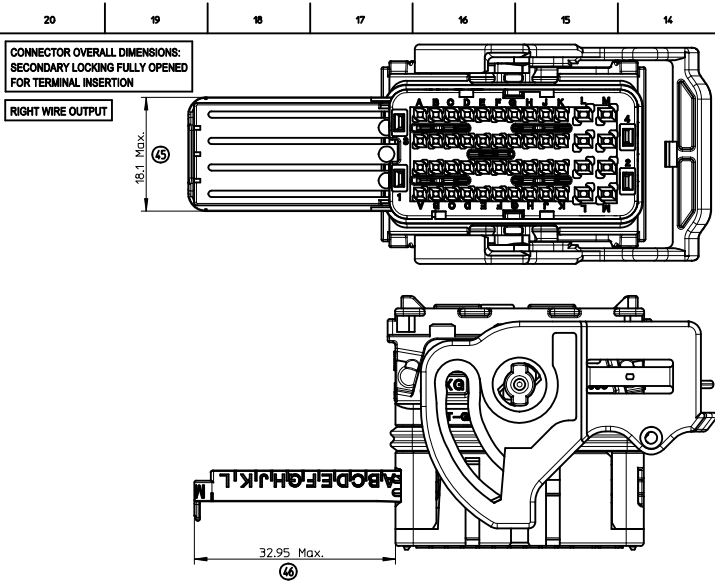
SCALE	DESIGN UNITS	FIRST ANGLE PROJECTION
2.5:1	METRIC	

CMC CONNECTOR 36 WAY
MAT SEAL VERSION

MOLEX INCORPORATED

SD-64320-003

SHEET NO. 1 OF 2



COLOR	KEYING	A	B	C	D	E
BLACK	1	13	6.4	8.6	6.4	2.2
GREY	2	10.8	8.6	13	8.6	2.2
BROWN	3	8.6	10.8	13	13	2.2
GREEN	4	10.8	13	6.4	6.4	2.2

TERMINALS USED				
CAVITY N°	FEMALE TERMINALS (Section mm2)	PLATING	MOLEX P/N*	min / MAX WIRE INSULATION DIAMETER (mm)
A1 to K1 A2 to K2 A3 to K3 A4 to K4	CP 0.6 0.35mm2	Tin plated	0643221019	Ø1.25 min / Ø1.40 Max
		Gold plated	0643221229	
	CP 0.6 0.5mm2	Tin plated	0643221039	Ø1.40 min / Ø1.70 Max
		Gold plated	0643221239	
L1 to L4 M1 to M4	CP 0.6 0.75mm2	Tin plated	0643221029	Ø1.60 min / Ø1.90 Max
		Gold plated	0643221219	
	CP 15 0.5mm2 to 1mm2	Tin plated	0643231319	Ø1.40 min / Ø2.15 Max
		Gold plated	0643231039	
CP 15 >1mm2 to 2mm2	Tin plated	0643231039	Ø2.10 min / Ø2.80 Max	
	Gold plated	0643231219		

UPDATED DRAWING
 EC NO: D
 DRWING DESIGNED BY: 2009/06/03
 CHKDC: BOUCHAN
 APPR: [REDACTED]

GENERAL TOLERANCES
(UNLESS SPECIFIED)

	mm	INCH
4 PLACES	± 0.1	± 0.004
3 PLACES	± 0.15	± 0.006
2 PLACES	± 0.2	± 0.008
1 PLACE	± 0.3	± 0.012

ANGULAR ± 2°

DRAFT WHERE APPLICABLE
MUST REMAIN
WITHIN DIMENSIONS

DIMENSION STYLE
MM ONLY

SCALE 2.5:1

DESIGN UNITS METRIC

FIRST ANGLE PROJECTION

DRAWN BY: T. BADAROUX
 DATE: 2008/05/23
 CHECKED BY: [REDACTED]
 DATE: [REDACTED]
 APPROVED BY: P. GRANDCLAUD
 DATE: 2008/05/23
 C. BOUCHAN

TITLE
**CMC CONNECTOR 36 WAY
 MAT SEAL VERSION**

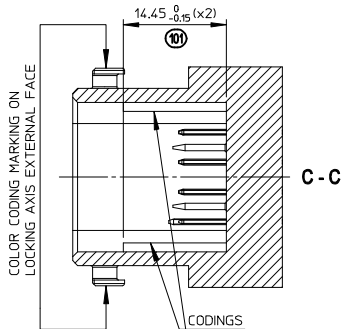
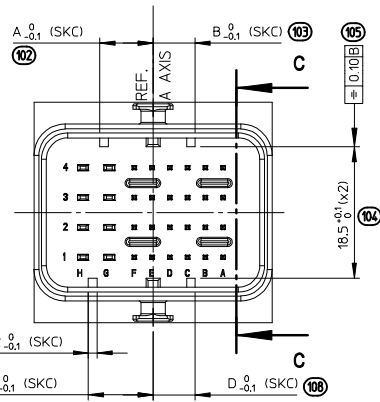
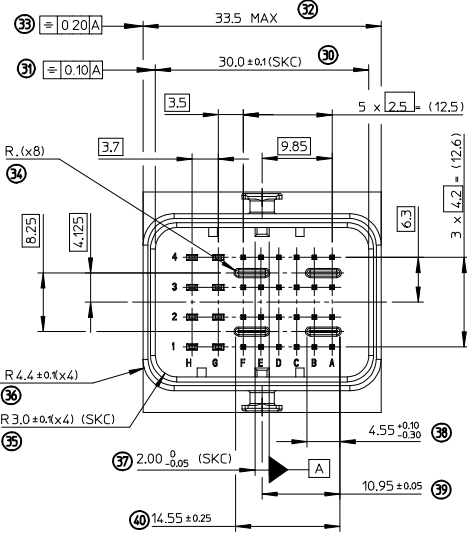
MATERIAL NO. [REDACTED]
 DOCUMENT NO. SD-64320-003

MOLEX INCORPORATED

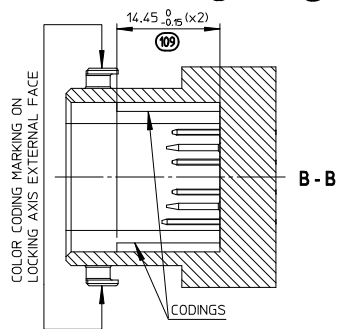
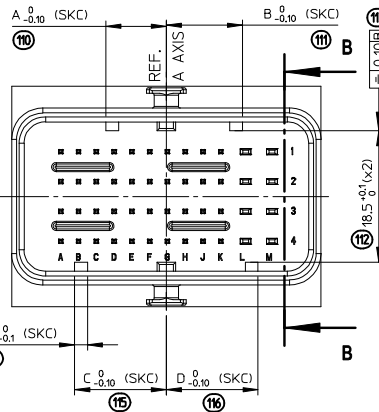
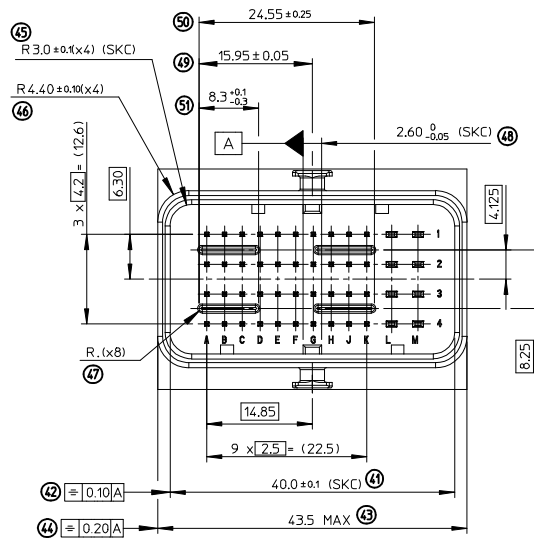
SHEET NO. 2 OF 2

THIS DRAWING CONTAINS INFORMATION THAT IS PROPRIETARY TO MOLEX
 INCORPORATED AND SHOULD NOT BE USED WITHOUT WRITTEN PERMISSION

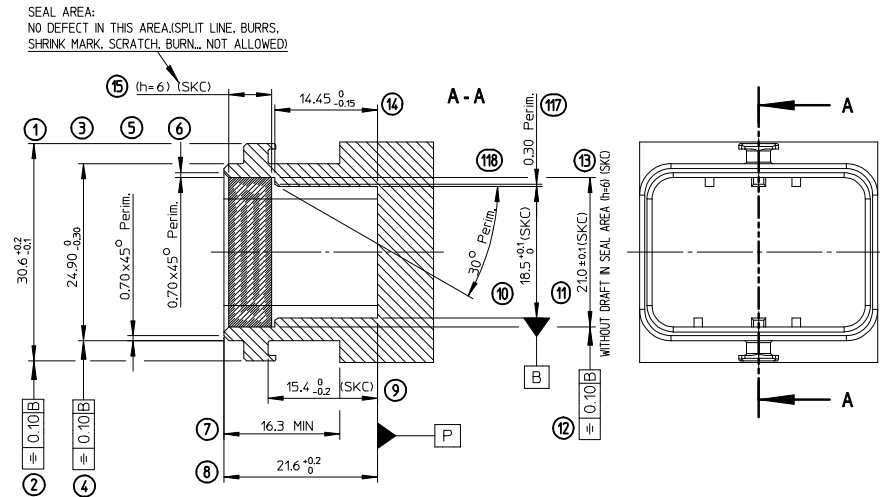
INTERFACE FOR HYBRID MODULE T2 (32 WAY)



INTERFACE FOR HYBRID MODULE T3 (48 WAY)



INTERFACES FOR HYBRID MODULES T2 (32 WAY) AND T3 (48 WAY)



HEADERS CODINGS

(CODING 2 SHOWN)

HEADER'S CODINGS FOR MODULE T2 (32W)					
COLOR	CODINGS	DIM. A	DIM. B	DIM. C	DIM. D
BLACK	1	9.1	4.3	5.9	4.3
GREY	2	7.5	5.9	9.1	5.9
BROWN	3	5.9	7.5	9.1	9.1
GREEN	4	7.5	9.1	4.3	4.3
BLUE	5	4.3	7.5	5.9	5.9
YELLOW	6	9.1	7.5	4.3	7.5

(CODING 3 SHOWN)

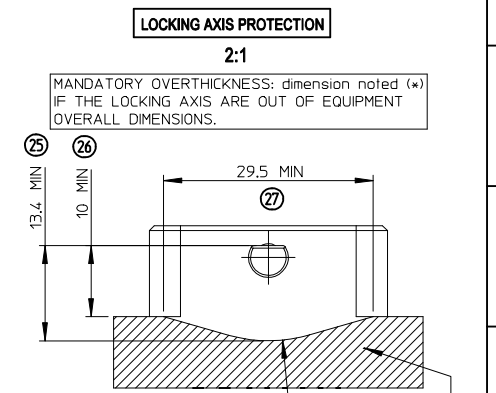
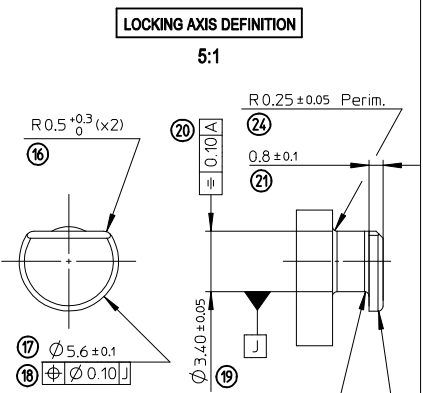
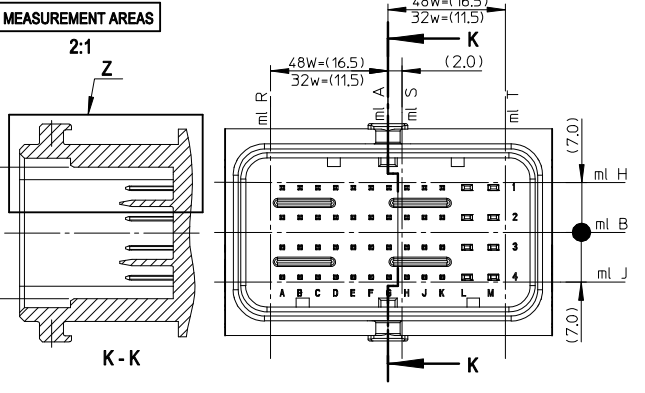
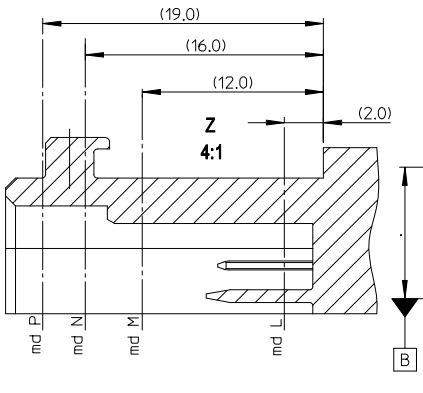
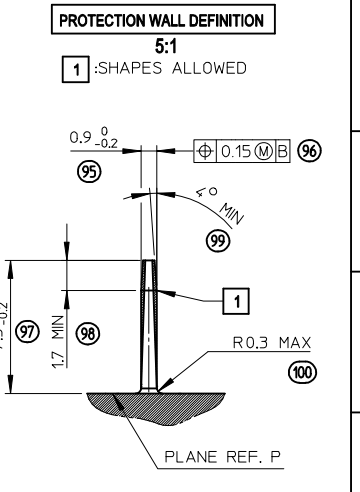
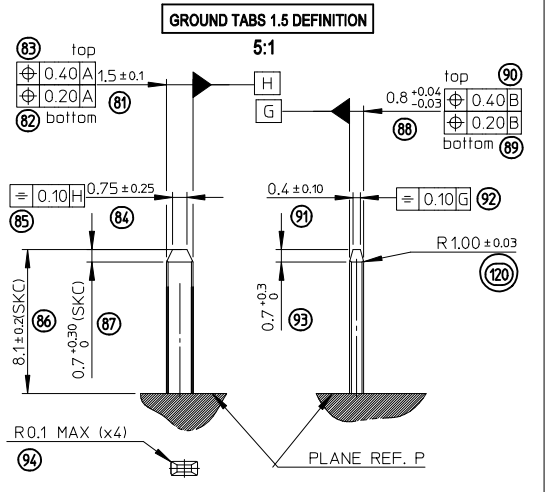
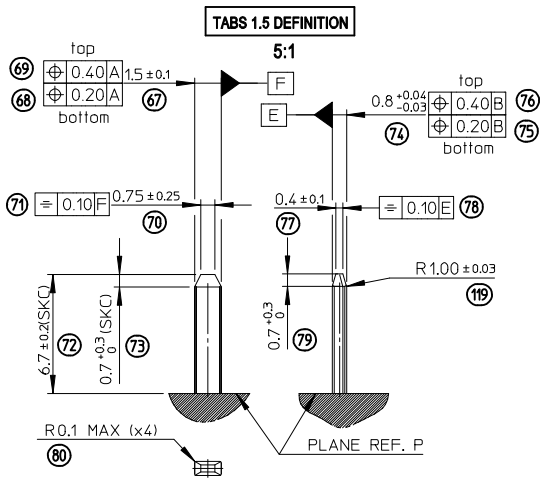
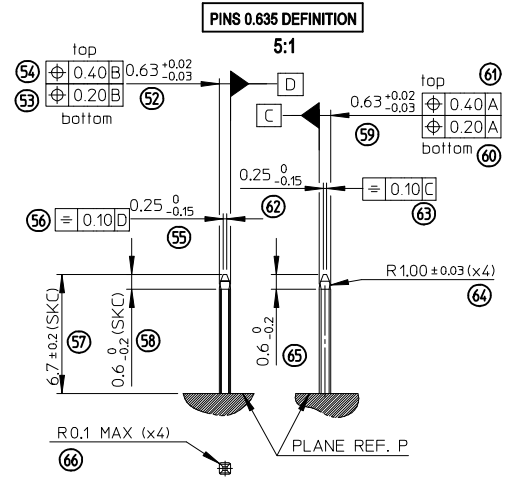
HEADER'S CODINGS FOR MODULE T3 (48W)					
COLOR	CODINGS	DIM. A	DIM. B	DIM. C	DIM. D
BLACK	1	12.9	6.3	8.5	6.3
GREY	2	10.7	8.5	12.9	8.5
BROWN	3	8.5	10.7	12.9	12.9
GREEN	4	10.7	12.9	6.3	6.3
BLUE	5	6.3	10.7	8.5	8.5
YELLOW	6	12.9	10.7	6.3	10.7

(SKC) SPECIAL KEY CHARACTERISTIC
 QUANTITY PER INDIVIDUAL SHEET
 (SKC) = 20

NOTE:

1- HEADER: ELASTICITY MODULUS: 8000Mpa min.
 (INITIAL CONDITION BEFORE AGEING)

REVISED EC NO: GZ009-0185 DRWN: GDESBRUERES 2008/12/10 CHKD: J.GIURIATO 2008/12/11 APPR: O.PLESSIS 2008/12/15	DESCRIPTION	GENERAL TOLERANCES (UNLESS SPECIFIED)		DIMENSION STYLE MM ONLY	SCALE 2:1	DESIGN UNITS METRIC	FIRST ANGLE PROJECTION	
		4 PLACES ± --- ± --- 3 PLACES ± --- ± --- 2 PLACES ± 0.10 ± --- 1 PLACE ± 0.10 ± --- ANGULAR ± 2°	DRAWN BY G. DESBRUERES 2008/10/02	DATE 2008/10/02	CHECKED BY J. GIURIATO 2008/10/03	DATE 2008/10/03	TITLE INTERFACES FOR MODULES 32 & 48 CKT CMC GENERIC SALES DRAWING	
DRAFT WHERE APPLICABLE MUST REMAIN WITHIN DIMENSIONS		APPROVED BY O. PLESSIS 2008/10/06		MATERIAL NO. N/A	MOLEX INCORPORATED			SHEET NO. 1 OF 3
SIZE A2		THIS DRAWING CONTAINS INFORMATION THAT IS PROPRIETARY TO MOLEX INCORPORATED AND SHOULD NOT BE USED WITHOUT WRITTEN PERMISSION						



T2 (32W)

POS N°	NOMINAL DIM.	MEASURE LINE ml	MEASURE DEPTH md
1	30.6 +0.20/-0.10		
3	24.9 0/-0.30	A, R, T	M, P
	24.5 MIN 24.9 MAX	A, R, T	L
8	21.6 ±0.20/0	MIN / MAX	
10	18.5 ±0.10/0	A	L, M
11	21.0 ±0.10	A, R, S, T	N, P
	20.8 MIN 21.1 MAX	R, S, T	L
30	30 ±0.10	B, H, J	N, P
	29.8 MIN 30.1 MAX	B, H, J	L
32	33.5 MAX	B, H, J	P
35	R3.0 ±0.10		L, N, P
37	2.0 0/-0.05		L, M
102-103-107-108	SEE CHART SHEET 1	CODING	L, M
104	18.5 ±0.10/0	CODING	L, M
106	1.2 0/-0.10	CODING	L, M

T3 (48W)

POS N°	NOMINAL DIM.	MEASURE LINE ml	MEASURE DEPTH md
1	30.6 +0.20/-0.10		
3	24.9 0/-0.30	A, R, T	M, P
	24.5 MIN 24.9 MAX	A, R, T	L
8	21.6 ±0.20/0	MIN / MAX	
10	18.5 ±0.10/0	A	L, M
11	21.0 ±0.10	A, R, S, T	N, P
	20.8 MIN 21.1 MAX	R, S, T	L
41	40 ±0.10	B, H, J	N, P
	39.8 MIN 40.1 MAX	B, H, J	L
43	43.5 MAX	B, H, J	P
45	R3.0 ±0.10		L, N, P
48	2.6 0/-0.05		L, M
110-111-115-116	SEE CHART SHEET 1	CODING	L, M
112	18.5 ±0.10/0	CODING	L, M
114	1.8 0/-0.10	CODING	L, M

MEASUREMENT CHARTS FOR INTERFACES SIZES T2 / T3

REVISED
EC NO: G2009-0185
DRAWN: G. DESBRUERES 2008/12/10
CHKD: J. GIURIATO 2008/12/11
APPR: O. PLESSIS 2008/12/15

GENERAL TOLERANCES (UNLESS SPECIFIED)

	mm	INCH
4 PLACES ±	---	---
3 PLACES ±	---	---
2 PLACES ±	0.10	---
1 PLACE ±	0.10	---

ANGULAR ± 2°

DRAFT WHERE APPLICABLE MUST REMAIN WITHIN DIMENSIONS

DIMENSION STYLE
MM ONLY

DRAWN BY: G. DESBRUERES 2008/10/02
DATE: 2008/10/02

CHECKED BY: J. GIURIATO 2008/10/03
DATE: 2008/10/03

APPROVED BY: O. PLESSIS 2008/10/06
DATE: 2008/10/06

MATERIAL NO. N/A

SCALE: 1:1
DESIGN UNITS: METRIC
FIRST ANGLE PROJECTION

TITLE: INTERFACES FOR MODULES 32 & 48 CKT CMC
GENERIC SALES DRAWING

MOLEX INCORPORATED

DOCUMENT NO. SD-98644-006
SHEET NO. 2 OF 3

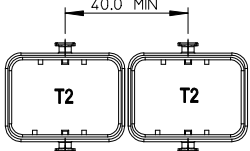
THIS DRAWING CONTAINS INFORMATION THAT IS PROPRIETARY TO MOLEX INCORPORATED AND SHOULD NOT BE USED WITHOUT WRITTEN PERMISSION

CONNECTOR ON HEADER - OVERALL DIMENSIONS

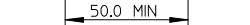
MULTI-HEADERS LAYOUT

LAYOUT FOR TWO INTERFACES T2 (32W)

FOR SAME HARNESS EXIT CONFIGURATION

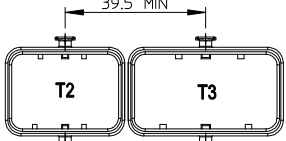


FOR OPPOSITE HARNESS EXIT CONFIGURATION

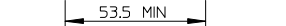


LAYOUT FOR TWO INTERFACES T2 (32W) AND T3 (48W)

FOR SAME HARNESS EXIT CONFIGURATION

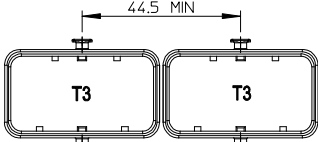


FOR OPPOSITE HARNESS EXIT CONFIGURATION

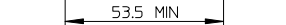


LAYOUT FOR TWO INTERFACES T3 (48W)

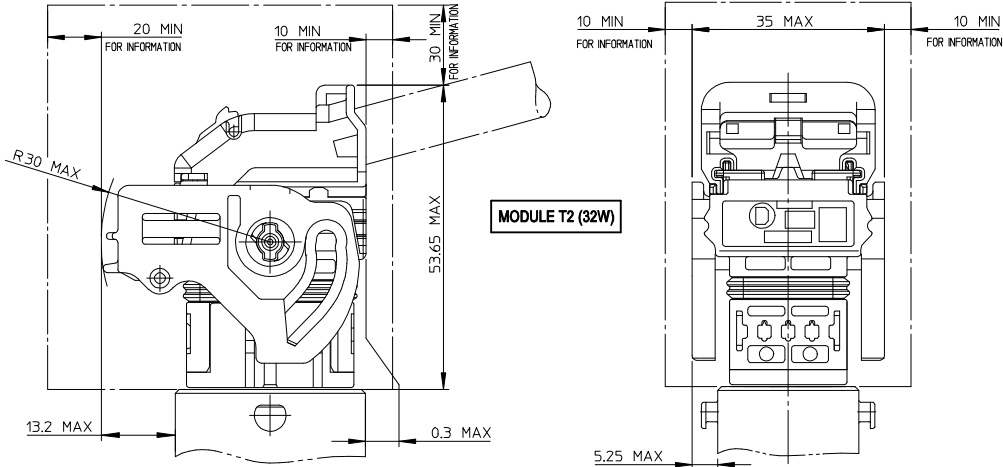
FOR SAME HARNESS EXIT CONFIGURATION



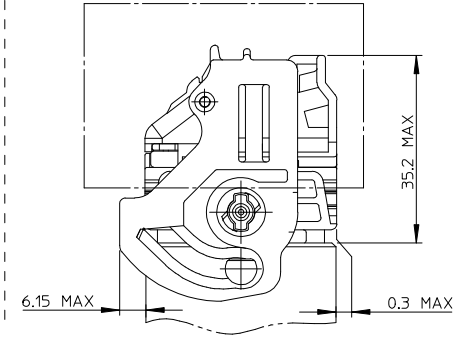
FOR OPPOSITE HARNESS EXIT CONFIGURATION



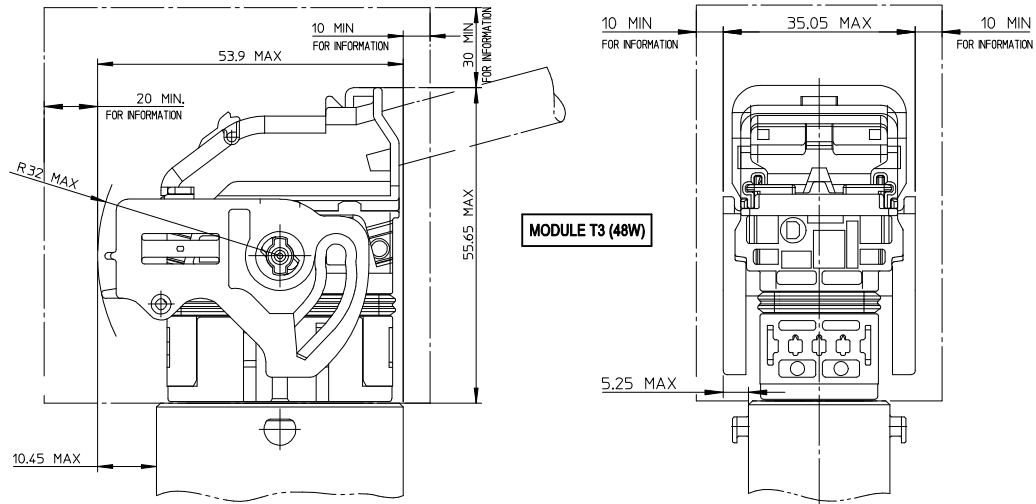
UNLOCKED CONNECTOR - OVERALL DIMENSIONS



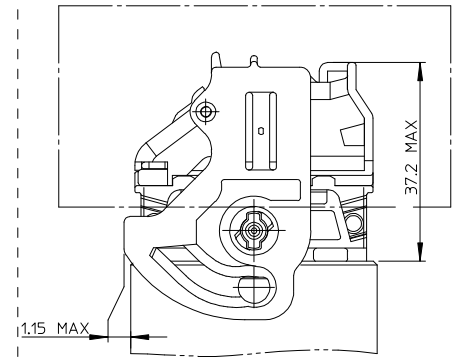
LOCKED CONNECTOR - OVERALL DIMENSIONS



UNLOCKED CONNECTOR - OVERALL DIMENSIONS



LOCKED CONNECTOR - OVERALL DIMENSIONS



LEGEND:



FREE VOLUME FOR MANUAL LOCKING AND UNLOCKING
DIMENSIONS GIVEN FOR INFORMATION ONLY TO BE
CONFIRMED BASED UPON VEHICLE CONFIGURATION.

(SKC) SPECIAL KEY CHARACTERISTIC

QUANTITY PER INDIVIDUAL SHEET

(SKC) = 0

NOTE:

1- T2 = 32 WAY / T3 = 48 WAY

REVISED
ECL NO: G2009-0185
DRAWING: DESBRUERES 2008/12/10
CHKD: J.GIURIATO 2008/12/11
APPR: PLESSIS 2008/12/15

DESCRIPTION

GENERAL TOLERANCES (UNLESS SPECIFIED)

	mm	INCH
4 PLACES	± 0.10	± 0.004
3 PLACES	± 0.15	± 0.005
2 PLACES	± 0.20	± 0.008
1 PLACE	± 0.30	± 0.012
ANGULAR ± 2°		

DRAFT WHERE APPLICABLE
MUST REMAIN
WITHIN DIMENSIONS

DIMENSION STYLE

MM ONLY	DATE
DRAWN BY	G. DESBRUERES 2008/10/02
CHECKED BY	J. GIURIATO 2008/10/03
APPROVED BY	O. PLESSIS 2008/10/06
MATERIAL NO.	N/A

SCALE

1:1

DESIGN UNITS

METRIC

FIRST ANGLE PROJECTION

INTERFACES FOR MODULES
32 & 48 CKT CMC
GENERIC SALES DRAWING

MOLEX INCORPORATED

DOCUMENT NO. SD-98644-006

SHEET NO. 3 OF 3

THIS DRAWING CONTAINS INFORMATION THAT IS PROPRIETARY TO MOLEX INCORPORATED AND SHOULD NOT BE USED WITHOUT WRITTEN PERMISSION