

PLEASE CHECK WWW.MOLEX.COM FOR LATEST PART INFORMATION

Part Number: **0508028100**
Status: **Active**
Description: 2.50mm (.098") Pitch Crimp Terminal, Phosphor Bronze, Bag

Documents:

3D Model	Product Specification PS-51191-003 (PDF)
Drawing (PDF)	RoHS Certificate of Compliance (PDF)
Product Specification PS-51191-002 (PDF)	

General

Product Family	Crimp Terminals
Series	<u>50802</u>
Crimp Quality Equipment	Yes
Product Name	N/A

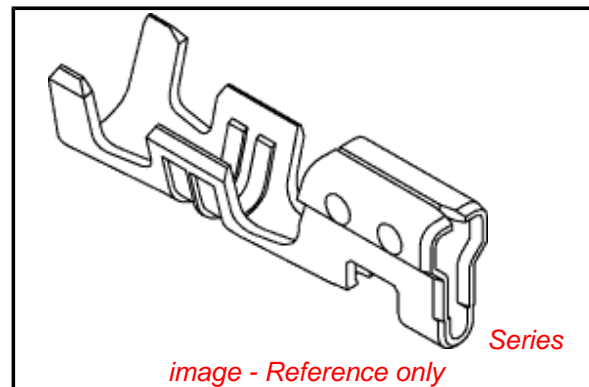
Physical

Gender	Female
Material - Metal	Phosphor Bronze
Material - Plating Mating	Tin
Material - Plating Termination	Tin
Packaging Type	Bag
Plating min: Mating (µin)	36
Plating min: Mating (µm)	0.90
Plating min: Termination (µin)	36
Plating min: Termination (µm)	0.90
Termination Interface: Style	Crimp or Compression
Wire Insulation Diameter	1.15-1.90mm (.045-.075")
Wire Size AWG	22, 24, 26, 28
Wire Size mm ²	N/A

Material Info

Reference - Drawing Numbers

Product Specification	PS-51191-002, PS-51191-003, RPS-51191-006, RPS-51191-007
Sales Drawing	SD-50802-002



EU RoHS

ELV and RoHS Compliant
REACH SVHC Contains SVHC: No
Halogen-Free Status

China RoHS



Need more information on product environmental compliance?

Email productcompliance@molex.com
 For a multiple part number RoHS Certificate of Compliance, [click here](#)

Please visit the [Contact Us](#) section for any non-product compliance questions.

Search Parts in this Series

50802Series

Mates With

5241

Use With

51191

Application Tooling | FAQ

Tooling specifications and manuals are found by selecting the products below. Crimp Height Specifications are then contained in the Application Tooling Specification document.

Global

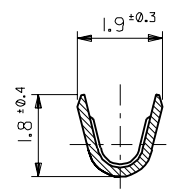
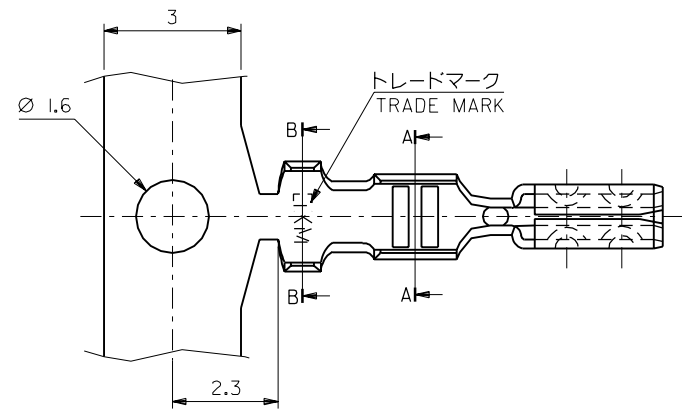
Description	Product #
Hand Crimp Tool	<u>0638115200</u>

Japan

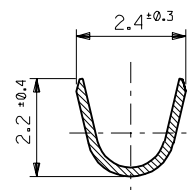
Description	Product #
Hand Crimp Tool	<u>0011260095</u>
JHTR5907	

This document was generated on 04/16/2010

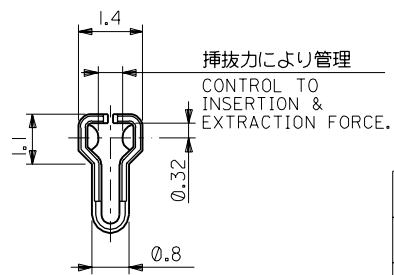
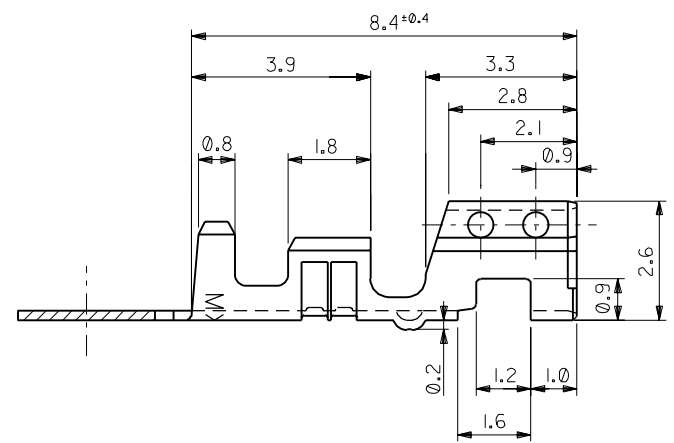
PLEASE CHECK WWW.MOLEX.COM FOR LATEST PART INFORMATION



断面 A-A
SECT. A-A



断面 B-B
SECT. B-B



注記 NOTES:
1. 適合ハウジング: 51191-***00
APPLICABLE HOUSING: 51191-***00

錫メッキ済リン青銅 PRE-TINNED PHOS-BRO.	50802-8100	バラ状 LOOSE
錫メッキ済リン青銅 PRE-TINNED PHOS-BRO.	50802-8000	連鎖状 CHAIN
錫メッキ済黄銅 PRE-TINNED BRASS	50802-9101	バラ状 LOOSE
錫メッキ済黄銅 PRE-TINNED BRASS	50802-9001	連鎖状 CHAIN
材料 MATERIAL	MATERIAL NO.	端子形状 FORM

DO NOT SCALE DRAWING

EG4NO. DRWN: CHK: APPR:	EG3NO. DRWN: CHK: APPR:	EG2NO. DRWN: CHK: APPR:	EG1NO. DRWN: CHK: APPR:	RELEASED EG0NO. JC80766 DRWN: S.MATSUZAKI '98/4/9 CHK: S.KUNISHI '98/4/10 APPR: M.FUKUSHIMA '98/4/10
----------------------------------	----------------------------------	----------------------------------	----------------------------------	--

MATERIAL 材料	表参照 (t=0.203) SEE TABLE
FINISH 仕上り	—
WIRE RANGE 適用線径範囲	AWG #22 ~ #28 0.33 ~ 0.08mm ²
INS. RANGE 被覆外径	∅1.15 ~ 1.9

GENERAL TOLERANCES: (UNLESS SPECIFIED) 一般公差	SCALE	DESIGN UNITS
10 UNDER 未満	±0.2	<input checked="" type="checkbox"/> mm <input type="checkbox"/> INCH
10 OVER 以上	±0.25	<input type="checkbox"/> mm <input type="checkbox"/> INCH
30 UNDER 未満	±0.25	<input type="checkbox"/> mm <input type="checkbox"/> INCH
30 OVER 以上	±0.3	<input checked="" type="checkbox"/> mm ONLY
ANGLE 角度	±3°	

MODEL NO. 50802-****	DIMENSIONS:	SHT	REV
	<input checked="" type="checkbox"/> mm <input type="checkbox"/> INCH		
DRAWN BY & DATE S.MATSUZAKI '98/4/9		TITLE: 2.5 WIRE TO BOARD CONN. CRIMP RECEPTACLE	
CHECKED BY & DATE S.KUNISHI '98/4/10		MATERIAL NO. 50802-****	
APPROVED BY & DATE M.FUKUSHIMA '98/4/10		DRAWING NO. SD-50802-002	
CAD FILENAME 50802002.S01		SHEET NO. 1/1	
MOLEX INCORPORATED			
2005 DRAWING CONTAINS INFORMATION THAT IS PROPRIETARY TO MOLEX INCORPORATED AND SHOULD NOT BE USED WITHOUT WRITTEN PERMISSION.			
		SIZE B	