

IEC Appliance Inlet C8, insert Mounting, Solder, PCB or Quick-connect Terminal



new

C8  
  
 70° C

**Description**

Drop-in type Appliance Inlet,  
 - Pin temperature 70 °C, Protection class II

**Approvals**

- VDE License Number: 40002274  
 - UL License Number: E96454  
 - CSA License Number: 27324

**References**

[General Product Information](#)

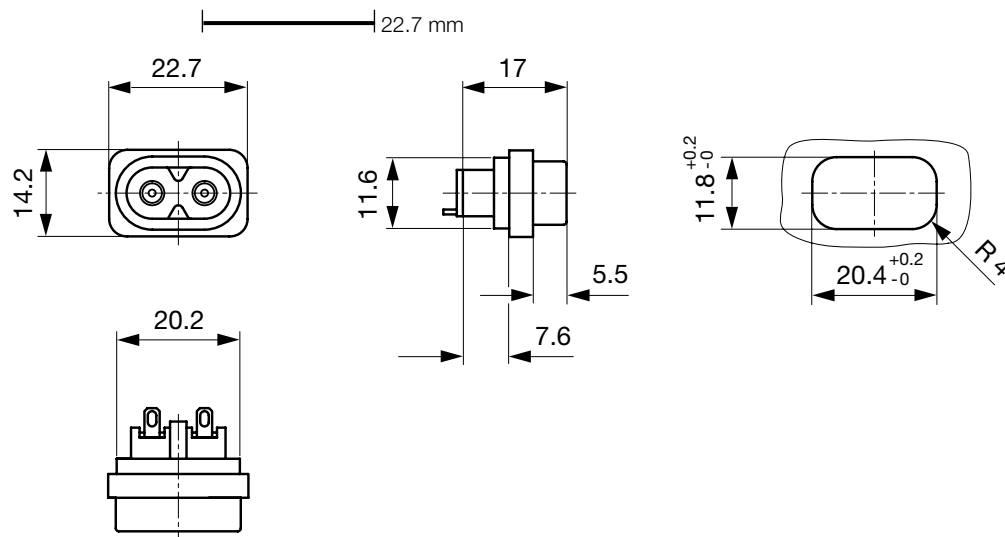
**Weblinks**

[Approvals](#), [RoHS](#), [CHINA-RoHS](#), [Mating Connectors](#), [Distributor-Stock-Check](#), [Accessories](#)

**Technical Data**

Ratings IEC	2.5 A / 250 VAC; 50 Hz
Ratings UL/CSA	2.5 A / 250 VAC; 60 Hz
Dielectric Strength	> 4 kVAC between L-N > 2 kVAC between L/N-PE (1 min/50 Hz)
Allowable Operation Temp.	-25 °C to 70 °C
Degree of Protection	from front side IP 20 acc. to IEC 60529
Protection Class	Suitable for appliances with protection class 2 acc. to IEC 61140
Terminal	straight
Material: Housing	UL 94V-0

Appliance Inlet	C8 acc. to IEC/EN 60320-1 UL 498, CSA C22.2 no. 42 (for cold conditions) pin-temperature 70 °C, 2.5 A, Protection Class 2
-----------------	--

**Dimensions**

length of the terminal please find at the order code configuration table

### Config. Code

Product Configurator

2572 - H - A B C 0 - D - E G F

The characters are placeholders for the correspondingly keys of selections from the key tables.

#### 2572 - H - A B C 0 - D - E G F = Type

Type	Configuration key
protection class 2	B

#### 2572 - H - A B C 0 - D - E G F = Terminals

Terminal L	Configuration key
short solder terminal (L=4,8mm)	2
long solder terminal (L=8,5mm)	3
PCB-terminal (standard)	4
PCB-terminal (short)	5
PCB-terminal (long)	6
blade terminal (2,8x0,8mm)	7
blade terminal (4,8x0,8mm)	8

#### 2572 - H - A B C 0 - D - E G F = Terminals

Terminal N	Configuration key
short solder terminal (L=4,8mm)	2
long solder terminal (L=8,5mm)	3
PCB-terminal (standard)	4
PCB-terminal (short)	5
PCB-terminal (long)	6
blade terminal (2,8x0,8mm)	7
blade terminal (4,8x0,8mm)	8

Symbols similar as in table A

#### 2572 - H - A B C 0 - D - E G F = Terminals

Terminal Ground	Configuration key
without terminal	0

Symbols similar as in table A

#### 2572 - H - A B C 0 - D - E G F = Color

Color	Configuration key
jet black; RAL9005	A
silver grey; RAL7001	B
pure white; RAL9010	D

standard color: black

#### 2572 - H - A B C 0 - D - E G F = Style

Style	Configuration key
insert type	5

#### 2572 - H - A B C 0 - D - E G F = Dimension X

Dimension "X"	Configuration key
00	

The dimension "X" is displayed in ( $\frac{1}{10}$  mm). This information is also valid for the order code

#### 2572 - H - A B C 0 - D - E G F = Orientation of Terminals

Orientation of Terminals	Configuration key
horizontal	A
vertical	B

### Variants

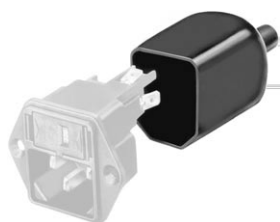
Config. Code	Description	Order Number
2572--2200-A-500A	2572, IEC Appliance Inlet C8, 70°C, version: 2, L: short solder terminal (L=4,8mm), N: short solder terminal (L=4,8mm), ground: without terminal, color: jet black; RAL9005, design: insert type	6160.0008
2572--5500-A-500A	2572, IEC Appliance Inlet C8, 70°C, version: 2, L: PCB-terminal (short), N: PCB-terminal (short), ground: without terminal, color: jet black; RAL9005, design: insert type	6160.0009
2572--6600-A-500A	2572, IEC Appliance Inlet C8, 70°C, version: 2, L: PCB-terminal (long), N: PCB-terminal (long), ground: without terminal, color: jet black; RAL9005, design: insert type	6160.0010
2572--7700-A-500B	2572, IEC Appliance Inlet C8, 70°C, version: 2, L: blade terminal (2,8x0,8mm), N: blade terminal (2,8x0,8mm), ground: without terminal, color: jet black; RAL9005, design: insert type	6160.0011
2572--8800-A-500B	2572, IEC Appliance Inlet C8, 70°C, version: 2, L: blade terminal (4,8x0,8mm), N: blade terminal (4,8x0,8mm), ground: without terminal, color: jet black; RAL9005, design: insert type	6160.0026

The listed variants should be available from stock Other versions on request [www.schurter.com/contact](http://www.schurter.com/contact)

**Packaging unit** 100 Pcs

## Accessories

### Description



Assorted Covers  
Rear Cover

## Mating Outlets/Connectors

### Category / Description

[Power Cord Overview complete](#)



Power Cord with IEC Connector C7, Straight 70°C	2510
Power Cord with IEC Connector C7, Angled	2511
Power Cord with IEC Plug C7, Angled	2514
Power Cord with IEC Connector C7, Straight 70°C	4810

[Power Cord further types to 2572](#)