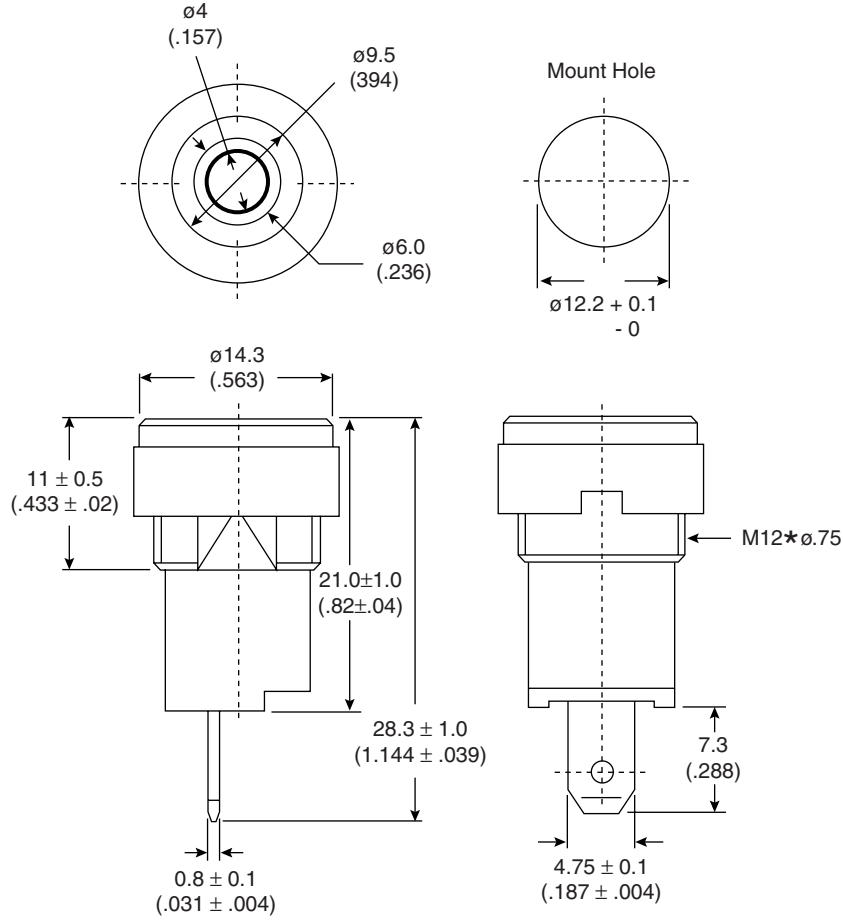


Banana Jack

164-R124R, 164-R124B



Banana Jack



Dimensions: mm (In.)

SPECIFICATIONS	
Rating:	10A 125V AC
Contact Resistance:	50m Ω Max.
Insulation Resistance:	DC 500V 100M Ω Min.
Dielectric Strength:	AC 1000V 1 min.
Temperature Range:	-10°C to +80°C

MATERIALS	
Nut:	Copper alloy, Ni-plating
Terminal:	Copper alloy, Ni-plating
Housing:	ABS

Date Last Revised: 10-18-04

Available from Mouser Electronics
 1-800-346-6873
 www.mouser.com

KC-300122

164-R124R, 164-R124B