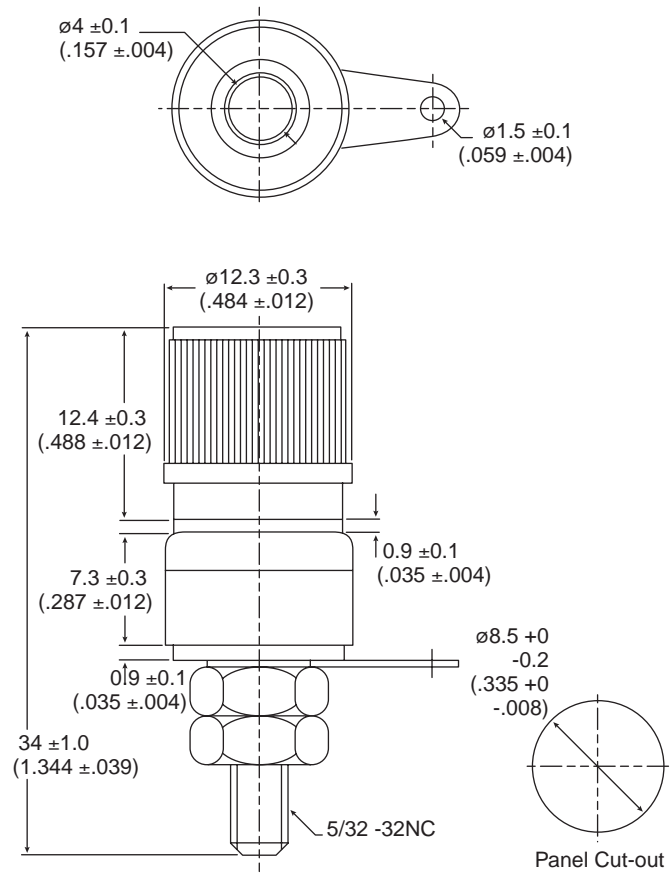


Binding Post

164-R101B, 164-R101R



Binding Post



Dimensions: mm (In.)

ELECTRICAL SPECIFICATIONS	
Current Rating:	10A 125V AC
Insulator Resistance:	DC 500V 100MΩ min.
Operating Temperature:	-10°C to +80°C
Voltage Breakdown:	AC 1000V 1 minute

Materials	
Insulation:	Nylon UL 94V-2
Metal:	Nickel plated brass
Panel Thickness:	.5 - 3mm

164-R101B, 164-R101R

Date Last Revised: 08-18-04

Available from Mouser Electronics
 1-800-346-6873
 www.mouser.com

KC-300117