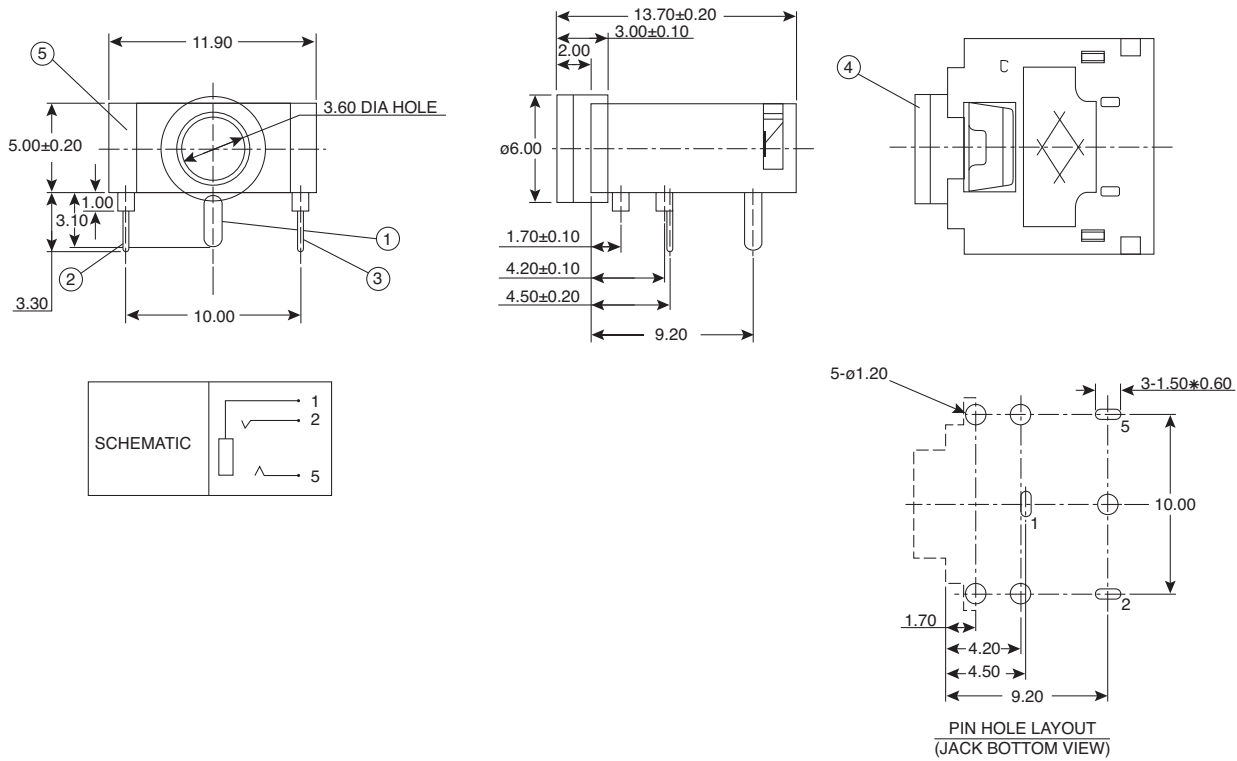


Phone 3.5mm Stereo

161-3503L-E

KOBICONN

Phone 3.5mm Stereo



Dimensions: mm

MATERIAL SPECIFICATIONS

No.	Description	Material	QTY	Finish
1	Earth Terminal	0.25T Phosphor Bronze	1	Silver Plated
2	Ring Spring	0.2T TicuR1-M-EH	1	Silver Plated
4	Tip Spring	0.25T TicuR1-M-EH	1	Silver Plated
5	Barrel	Brass	1	Nickel Plated
6	Housing	PBT	1	Black Color

ELECTRICAL SPECIFICATIONS

Contact Resistance:	30mΩ max
Isulation Resistance:	100MΩ min at DC 500V
Dielectric Withstanding	AC 500V for one minute.
Voltage:	

RoHS Compliant

Date Last Revised: 12/31/08

Available from Mouser Electronics
1-800-346-6873
www.mouser.com

KC-301275

161-3503L-E