

**P/N: VP2005A DATA SHEET**

Page : 1/1

**Feature**

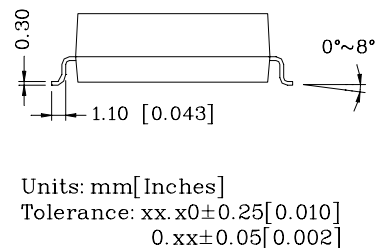
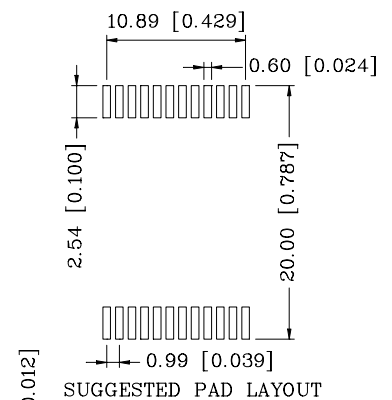
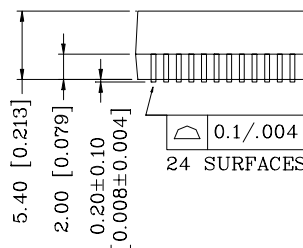
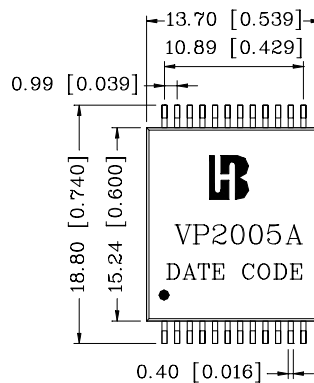
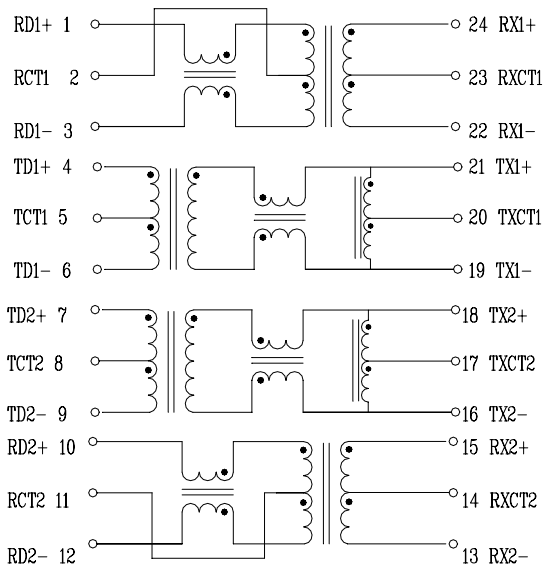
- IEEE 802.3af/ANSI X3.263 compliant performance.
- 350mA current capability.
- Designed for IP phone or switch applications.
- Compact footprint.
- Operating temperature range : 0 to +70 .
- Storage temperature range: -25 to +125 .

**Electrical Specifications @ 25°C**

Part Number	Turns Ratio (±5%)		Cross talk (dB Min)			HI-POT (Vrms)
	TX	RX	30MHz	60 MHz	100MHz	
VP2005A	1CT: 1	1CT: 1CT	-43	-37	-33	1500

**Continue**

Part Number	Insertion Loss (dB Max)	Return Loss (dB Min)				DCMR (dB Min)		
		1-100MHz	1-30MHz	40MHz	50 MHz	60-80MHz	30MHz	60MHz
VP2005A	-1.2	-16	-14	-13	-12	-50	-43	-35

**Schematic****Mechanical**

Units: mm[Inches]  
Tolerance: xx.x0±0.25[0.010]  
0.xx±0.05[0.002]