

10/100Base-TX Voice Over IP Magnetic Module EPF8215S & EPF8215S-RC



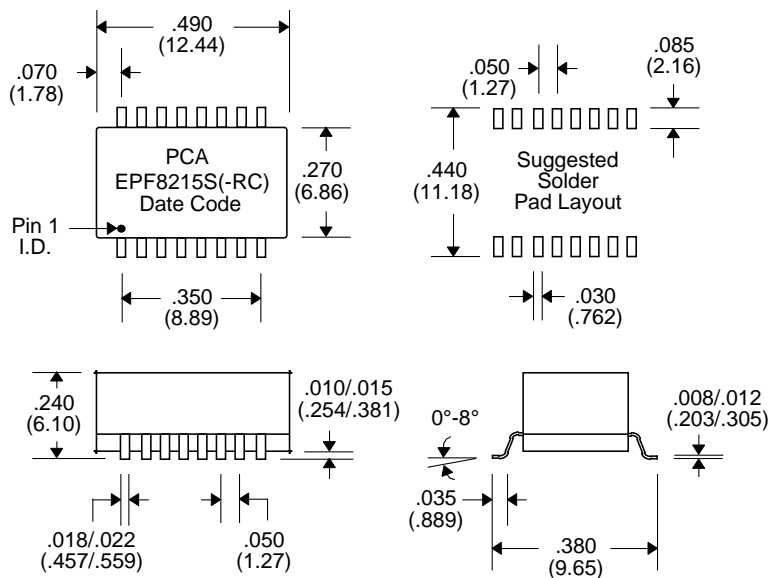
- Designed for IP Phone or Switch Applications
- Complies with IEEE 802.3, 10/100Base-TX Standards
- Add "-RC" after part number for RoHS Compliant
- Surface Mount Package
- 1500 Vrms Isolation

Electrical Parameters @ 25° C

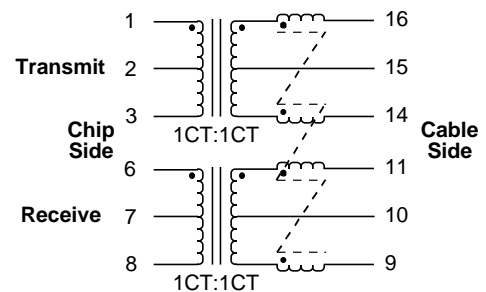
OCL (μ H) @ 70°C	Insertion Loss (dB Max.)			Return Loss (dB Min.)			Common Mode Rejection (dB Min.)	Crosstalk (dB Min.)
	1-80 MHz	@ 100 MHz	@ 150 MHz	1-30 MHz	@ 60 MHz	@ 100 MHz		
100 KHz, 0.1 Vrms 8 mA DC Bias							1-100 MHz	1-100 MHz
Cable Side	Xmit/Rcv	Xmit/Rcv	Xmit/Rcv	Xmit/Rcv	Xmit/Rcv	Xmit/Rcv	Xmit/Rcv	
350	-1/-1	-1/-1	-3/-3	-18/-18	-12/-12	-10/-10	-30/-30	-35

• Impedance : 100 • Rise Time : 3.0 nS Max. •

Package



Schematic



Notes :	EPF8215S	EPF8215S-RC
1. Lead Finish	SnPb	Hot Tin Dip (Sn) †
2. Peak Temperature Rating	225°C	245°C
3. Moisture Sensitive Levels	MSL = 3 (168 Hours, 30°C/60%RH)	MSL = 4 (72 Hours, 30°C/60%RH)
4. Weight	0.970 grams	0.970 grams
5. Packaging Information	(Tube) 39 pieces/tube	39 pieces/tube
	(Tape & Reel) 650 pieces/13" reel	650 pieces/13" reel

† Lead Material : Ni Barrier over Cu

Unless Otherwise Specified Dimensions are in Inches /mm ± .010 / .25