

General Description

The AAT3113 and AAT3114/14A are low noise, constant frequency charge pump DC/DC converters that use fractional (1.5X) conversion to increase efficiency in white LED applications. The devices can be used to produce current levels up to 20mA for each output from a 2.7V to 5.5V input. A low external parts count (two 1 μ F flying capacitors and two small bypass capacitors at V_{IN} and OUT) makes these devices ideally suited for small, battery-powered applications.

AnalogicTech's Simple Serial Control™ (S²Cwire™) interface is used to enable, disable, and set the LED drive current for 32-level logarithmic scale LED brightness control. AAT3113 and AAT3114/14A devices have a thermal management system for protection in the event of a short-circuit condition on any of the output pins. Built-in soft-start circuitry prevents excessive inrush current during start-up. A high switching frequency enables the use of small external capacitors. A low-current shutdown feature disconnects the load from V_{IN} and reduces quiescent current to less than 1 μ A. The AAT3113 provides four LED current source outputs, and the AAT3114/14A provides six. The AAT3113 is available in a Pb-free 12-pin TSOPJW package, and the AAT3114/14A is available in a Pb-free 16-pin QFN package.

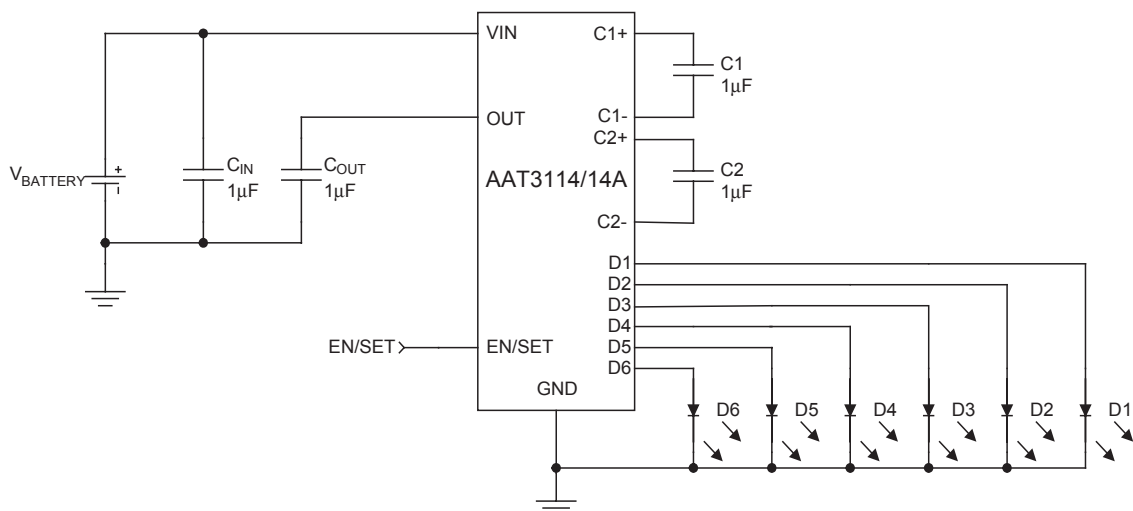
Features

- AAT3113: Four Outputs
- AAT3114/14A: Six Outputs
- 20mA Full-Scale Current
- Simple Serial Control (S²Cwire) Interface
 - 32-Position Logarithmic Scale with Digital Control
- Low Noise Constant Frequency Operation
- 33% Less Input Current Than Doubler Charge Pump
- High Accuracy Brightness Matching
- Small Application Circuit
- Regulated Output Current
- Automatic Soft Start
- V_{IN} Range: 2.7V to 5.5V
- No Inductors
- 600kHz Switching Frequency
- $I_Q < 1\mu A$ in Shutdown
- Temperature Range: -40°C to 85°C
- 12-Pin TSOPJW Package (AAT3113)
- 16-Pin QFN Package (AAT3114/14A)

Applications

- Programmable Current Source
- White LED Backlighting

Typical Application

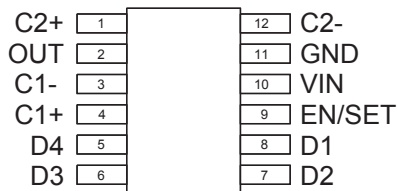


Pin Descriptions

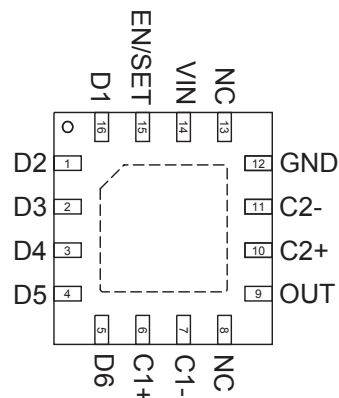
| Part # | | Symbol | Function |
|-------------|---------|--------|--|
| AAT3114/14A | AAT3113 | | |
| 1 | 7 | D2 | Current source output 2. |
| 2 | 6 | D3 | Current source output 3. |
| 3 | 5 | D4 | Current source output 4. |
| 4 | N/A | D5 | Current source output 5 (AAT3114/14A option only). |
| 5 | N/A | D6 | Current source output 6 (AAT3114/14A option only). |
| 6 | 4 | C1+ | Flying capacitor 1 positive terminal. |
| 7 | 3 | C1- | Flying capacitor 1 negative terminal. |
| 8 | N/A | NC | No connect. |
| 9 | 2 | OUT | Charge pump output. Requires 1 μ F bypass capacitor to ground. |
| 10 | 1 | C2+ | Flying capacitor 2 positive terminal. |
| 11 | 12 | C2- | Flying capacitor 2 negative terminal. |
| 12 | 11 | GND | Ground. |
| 13 | N/A | NC | No connect. |
| 14 | 10 | VIN | Input power supply. Requires 1 μ F bypass capacitor to ground. |
| 15 | 9 | EN/SET | Control pin using S ² Cwire serial interface. |
| 16 | 8 | D1 | Current source output 1. Required reference current source. Do not leave pin floating. |
| EP | | | Exposed paddle (bottom); connect to GND directly beneath package. |

Pin Configuration

TSOPJW-12
(Top View)
AAT3113



QFN44-16
(Top View)
AAT3114/14A



Part Number Descriptions

| Part Number | V _{IN} Range | Number of LED Outputs, 20mA Full-Scale | LED Present Detect Current | Package |
|-------------|------------------------------|--|----------------------------|-----------|
| AAT3113ITP | $3.0V \leq V_{IN} \leq 5.5V$ | 4 | 2 μ A | TSOPJW-12 |
| AAT3114ISN | $3.2V \leq V_{IN} \leq 5.5V$ | 6 | 2 μ A | QFN44-16 |
| AAT3114AISN | | | 150 μ A | |

Absolute Maximum Ratings

T_A = 25°C, unless otherwise noted.

| Symbol | Description | Value | Units |
|--------------------------|--|------------|-------|
| V _{IN} | Input Voltage | -0.3 to 6 | V |
| V _{OUT} | Charge Pump Output | -0.3 to 6 | V |
| V _{EN/SET} | EN/SET to GND Voltage | -0.3 to 6 | V |
| V _{EN/SET(MAX)} | Maximum EN/SET to Input Voltage | 0.3 | V |
| I _{OUT} | Maximum DC Output Current (sum of I _{OUT} and D currents) | 150 | mA |
| θ_{JA} | Thermal Resistance | 37 | °C/W |
| T _J | Operating Junction Temperature Range | -40 to 150 | °C |

Electrical Characteristics

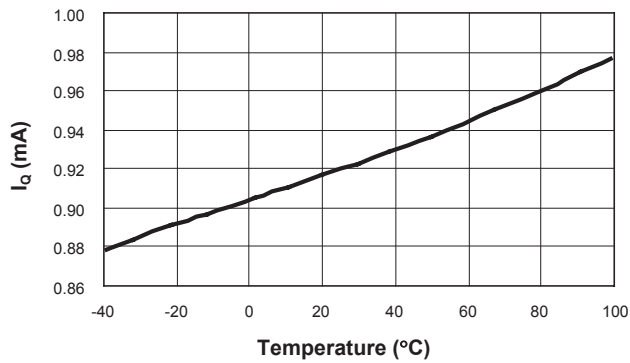
$V_{IN} = 3.5V$, $T_A = -40^{\circ}C$ to $+85^{\circ}C$, unless otherwise noted. Typical values are at $T_A = 25^{\circ}C$.

| Symbol | Description | Conditions | Min | Typ | Max | Units |
|------------------------------|--|---|-----|-----|-----|---------|
| Input Power Supply | | | | | | |
| V_{IN} | Operation Range | | 2.7 | | 5.5 | V |
| I_{CC} | Operating Current | Active, No Load Current | | 1 | 2 | mA |
| I_{SHDN} | Shutdown Current | EN = 0 | | | 1 | μA |
| I_{DX} | Output Current | AAT3113: $3.0V \leq V_{IN} \leq 5.5V$ | 18 | 20 | 22 | mA |
| | | AAT3114/14A: $3.2V \leq V_{IN} \leq 5.5V$ | | | | |
| | | $T_A = 25^{\circ}C$, All Outputs Max Current | | | | |
| $\Delta I_D / \Delta V_{IN}$ | Output Current Line Regulation | $3.0V \leq V_{IN} \leq 5.5V$ | -2 | | 2 | %/V |
| $I_{(D-Match)}$ | Current Matching Between Any Two Outputs | VD1:Dn = 3.6V, $V_{IN} = 3.3V$ | | 0.3 | | % |
| η | Efficiency | $V_{IN} = 3.5V$, $I_{OUT(total)} = 40mA$ | | 93 | | % |
| Charge Pump | | | | | | |
| t_{SS} | Soft-Start Time | | | 400 | | μs |
| F_{CLK} | Clock Frequency | | 300 | 600 | 900 | kHz |
| EN/SET | | | | | | |
| $V_{EN(L)}$ | Enable Threshold Low | $V_{IN} = 2.7V$ to $5.5V$ | | | 0.5 | V |
| $V_{EN(H)}$ | Enable Threshold High | $V_{IN} = 2.7V$ to $5.5V$ | 1.4 | | | V |
| t_{LO} | EN/SET Low Time | | 0.3 | | 75 | μs |
| t_{HI} | Minimum EN/SET High Time | | | 50 | | ns |
| t_{OFF} | EN/SET Off Timeout | | | 300 | 500 | μs |
| Input Current | EN/SET Input Leakage | $V_{IN} = 5.5V$ | -1 | | 1 | μA |

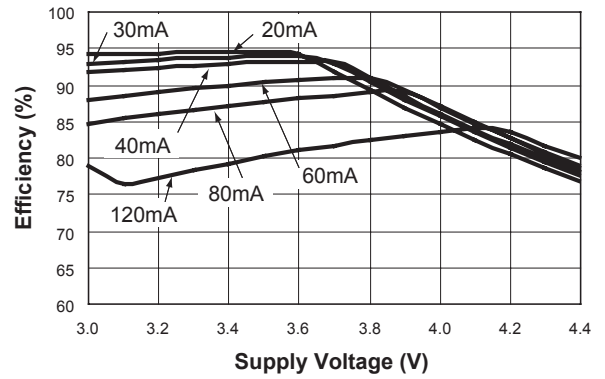
Typical Characteristics

$V_{IN} = 3.5V$, $C_{IN} = C_{OUT} = C_1 = C_2 = 1\mu F$; $T_A = 25^\circ C$, unless otherwise noted.

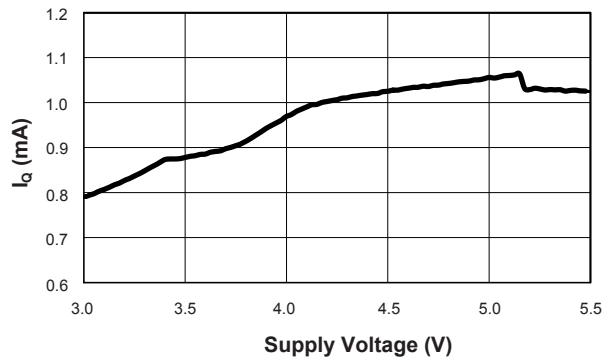
Quiescent Current vs. Temperature



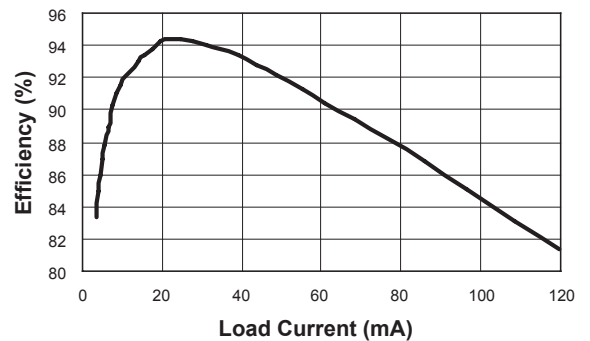
Efficiency vs. Supply Voltage



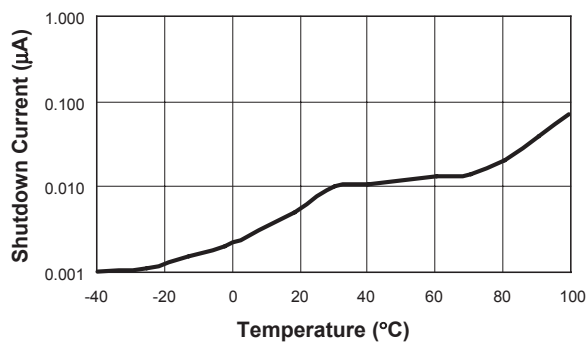
Quiescent Current vs. Supply Voltage



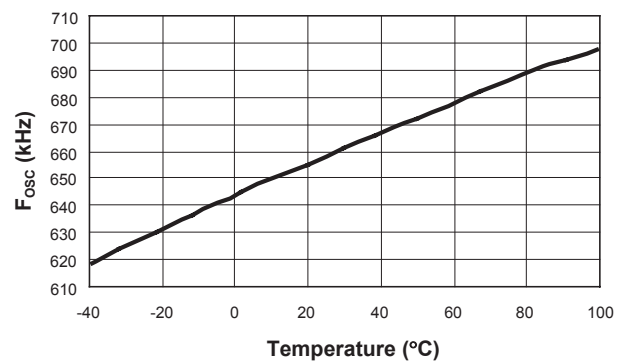
Efficiency vs. Load Current



Shutdown Current vs. Temperature



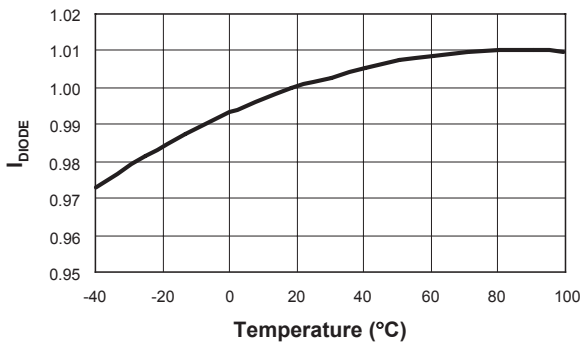
Oscillator Frequency vs. Temperature



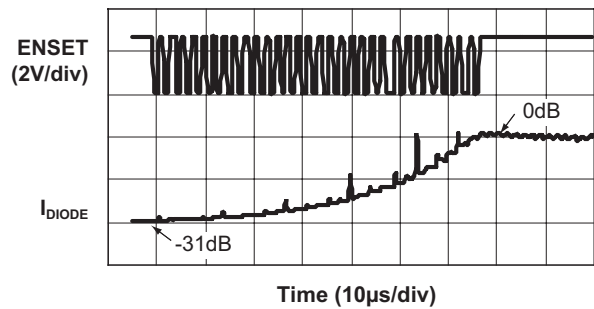
Typical Characteristics

$V_{IN} = 3.5V$, $C_{IN} = C_{OUT} = C_1 = C_2 = 1\mu F$; $T_A = 25^\circ C$, unless otherwise noted.

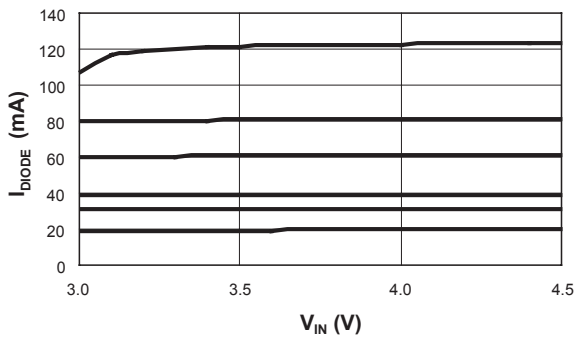
Normalized I_{DIODE} vs. Temperature



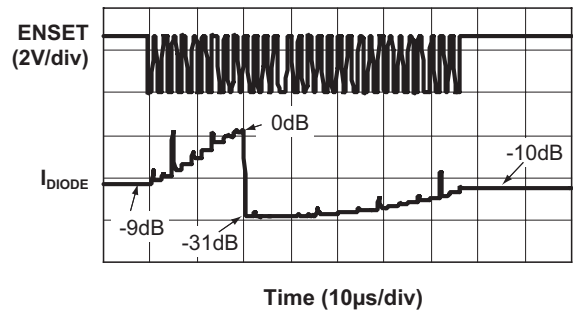
I_{DIODE} Response (-31dB to 0dB)



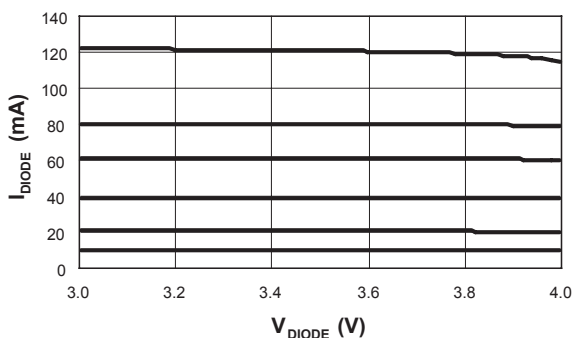
I_{DIODE} vs. V_{IN}



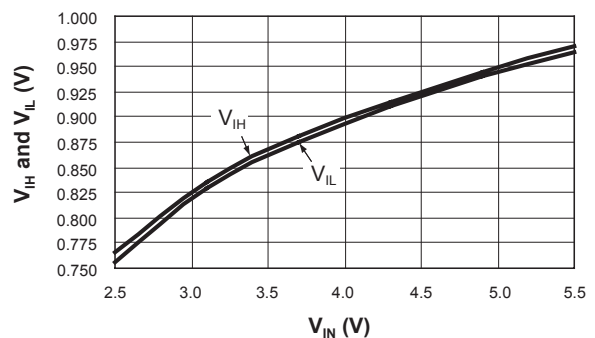
I_{DIODE} Response (-9dB to -10dB)



I_{DIODE} vs. V_{DIODE}

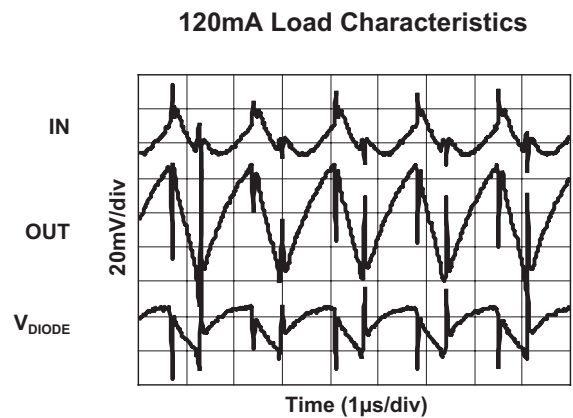
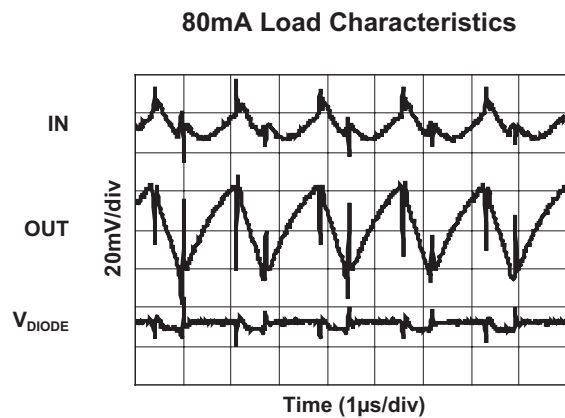
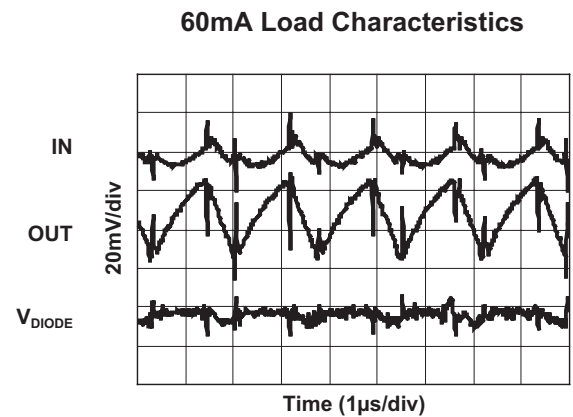
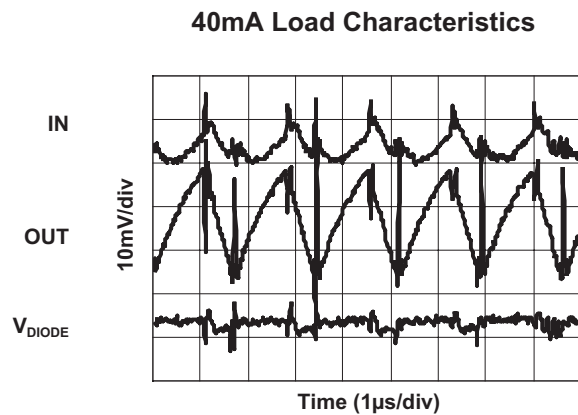
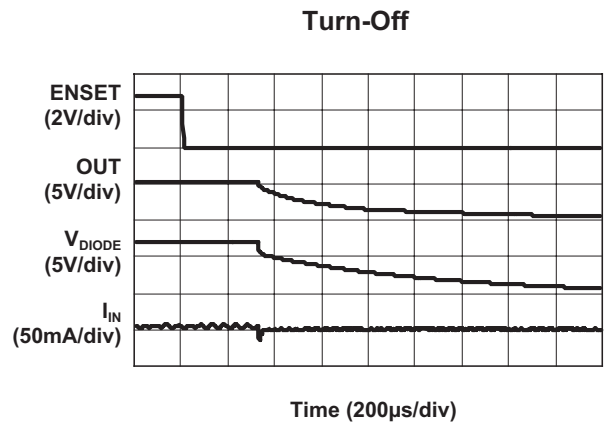
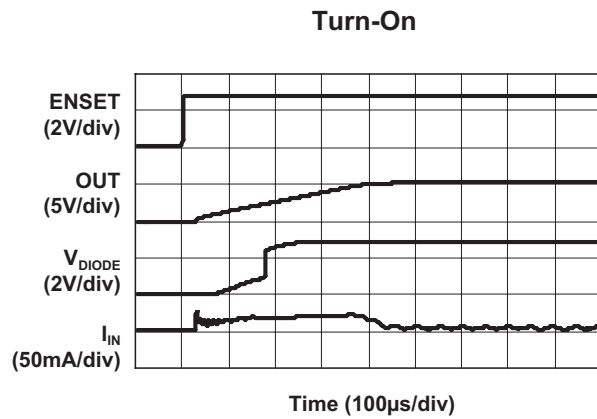


V_{IH} and V_{IL} vs. V_{IN}

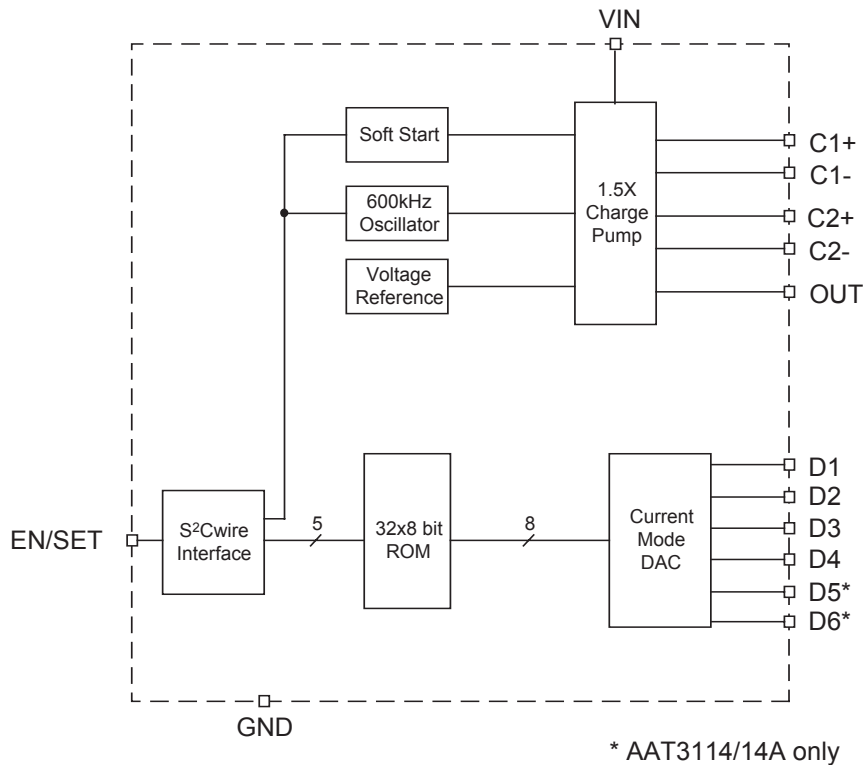


Typical Characteristics

$V_{IN} = 3.5V$, $C_{IN} = C_{OUT} = C_1 = C_2 = 1\mu F$; $T_A = 25^\circ C$, unless otherwise noted.



Functional Block Diagram



Functional Description

The AAT3113 and AAT3114/14A devices are high efficiency 1.5X fractional charge pumps intended for white LED backlight applications. The fractional charge pump consists of a linear regulator followed by a 1.5X charge pump. The AAT3113 and AAT3114/14A require only four external components: two 1 μ F ceramic capacitors for the charge pump flying capacitors (C1 and C2), one 1 μ F ceramic capacitor for C_{IN}, and one 0.33 μ F to 1 μ F ceramic capacitor for C_{OUT}. The charge pump output is converted into four or six constant current outputs (D1 to D4 or D6) to drive four or six individual LEDs with a maximum of 20mA each. The current source output magnitude is controlled by the EN/SET serial data S²Cwire interface. The interface records rising edges of the EN/SET pin

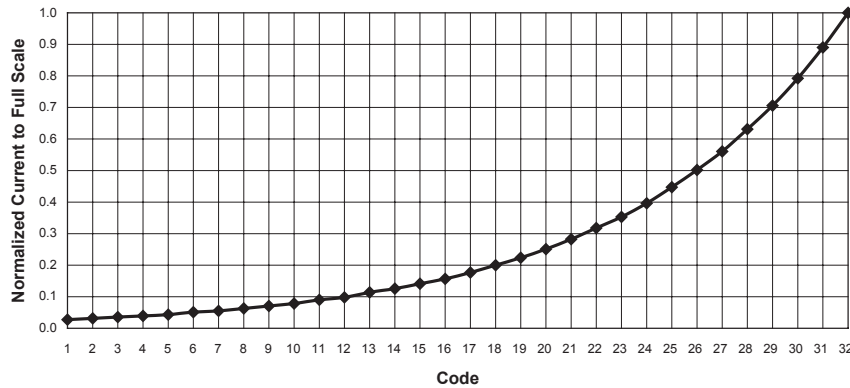
and decodes them into 32 individual current level settings each 1dB apart (see Table 1, Current Level Settings). Code 32 is full scale, and Code 1 is full scale attenuated by 31dB. The modulo 32 interface wraps states back to state 1 after the 32nd clock. With each EN/SET pulse, the output current increases by 1dB. To decrease the output current by 1dB, 31 EN/SET clock pulses are required. The counter can be clocked at speeds up to 1MHz, so intermediate states are not visible. The first rising edge of EN/SET enables the IC and initially sets the output LED current to -31dB, the lowest setting equal to 525 μ A. Once the final clock cycle is input for the desired brightness level, the EN/SET pin is held high to maintain the device output current at the programmed level. The device is disabled 500 μ s after the EN/SET pin transitions to a logic low state.

Applications Information

Current Level Settings

LED current level is set via the serial interface according to a logarithmic scale where each code is 1dB greater than the previous code. In this manner, the LED brightness appears linear with each increasing code.

Normalized Current Level Settings



| Code | 20mA max | Code | 20mA max |
|------|----------|------|----------|
| 1 | 0.549 | 17 | 3.529 |
| 2 | 0.627 | 18 | 4.000 |
| 3 | 0.706 | 19 | 4.471 |
| 4 | 0.784 | 20 | 5.020 |
| 5 | 0.863 | 21 | 5.647 |
| 6 | 1.020 | 22 | 6.353 |
| 7 | 1.098 | 23 | 7.059 |
| 8 | 1.255 | 24 | 7.922 |
| 9 | 1.412 | 25 | 8.941 |
| 10 | 1.569 | 26 | 10.039 |
| 11 | 1.804 | 27 | 11.216 |
| 12 | 1.961 | 28 | 12.627 |
| 13 | 2.275 | 29 | 14.118 |
| 14 | 2.510 | 30 | 15.843 |
| 15 | 2.824 | 31 | 17.804 |
| 16 | 3.137 | 32 | 20.000 |

Table 1: Current Level Settings.

EN/SET Serial Interface

The current source output magnitude is controlled by the EN/SET pin using AnalogicTech's Simple Serial Control (S²Cwire) interface. The interface records rising edges of the EN/SET pin and decodes them into 32 individual current level settings each 1dB apart. Code 32 is full scale, and Code 1 is full scale attenuated by 31dB. The modulo 32 interface wraps states back to state 1 after the 32nd clock, so 1dB of attenuation is achieved by clocking the EN/SET pin 31 times (see graph titled, "I_{DIODE} Response -9dB to -10dB"). The counter can be clocked at speeds up to 1MHz, so intermediate states are not visible. The first rising edge of EN/SET enables the IC and initially sets the output LED current to -31dB, the lowest setting equal to 525µA. Once the final clock cycle is input for the desired brightness level, the EN/SET pin is held

high to maintain the device output current at the programmed level. The device is disabled 500µs after the EN/SET pin transitions to a logic low state.

The EN/SET timing is designed to accommodate a wide range of data rates. After the first rising edge of EN/SET, the charge pump is enabled and reaches full capacity after the soft-start time (T_{SS}). During the soft-start time, multiple clock pulses may be entered on the EN/SET pin to set the final output current level with a single burst of clocks. Alternatively, the EN/SET clock pulses may be entered one at a time to gradually increase the LED brightness over any desired time period. A constant current is sourced as long as EN/SET remains in a logic high state. The current source outputs are switched off after EN/SET has remained in a low state for at least the t_{OFF} timeout period (see Figure 1).

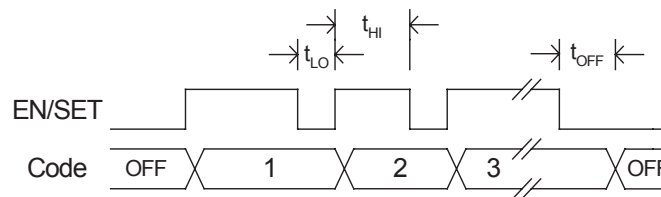


Figure 1: EN/SET Timing Diagram.

LED Selection

AAT3113 and AAT3114/14A devices are designed to drive white LEDs with forward voltages to 4.2V. Since the D1:D6 output current sources are matched with negligible voltage dependence, the LED brightness will be matched regardless of their forward voltage matching.

Charge Pump Efficiency

The AAT3113 and AAT3114/14A devices are fractional charge pumps. The efficiency (η) can be simply defined as a linear voltage regulator with an effective output voltage that is equal to one and one half times the input voltage. Efficiency (η) for an ideal 1.5X charge pump can typically be expressed as the output power divided by the input power:

$$\eta = \frac{P_{OUT}}{P_{IN}}$$

In addition, with an ideal 1.5X charge pump, the output current may be expressed as 2/3 of the input current. The expression to define the ideal efficiency (η) can be rewritten as:

$$\eta = \frac{P_{OUT}}{P_{IN}} = \frac{V_{OUT} \cdot I_{OUT}}{V_{IN} \cdot 1.5I_{OUT}} = \frac{V_{OUT}}{1.5V_{IN}}$$

-or-

$$\eta(\%) = 100 \left(\frac{V_{OUT}}{1.5V_{IN}} \right)$$

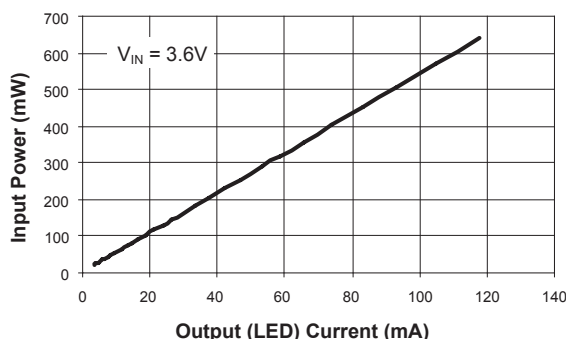
For a charge pump with an output of 5 volts and a nominal input of 3.5 volts, the theoretical efficiency is 95%. Due to internal switching losses and IC quiescent current consumption, the actual efficiency can be measured at 93%. These figures are in close agreement for output load conditions from 1mA to 100mA. Efficiency will decrease as load

current drops below 0.05mA or when the level of V_{IN} approaches V_{OUT} . Refer to the Typical Characteristics section of this datasheet for measured plots of efficiency versus input voltage and output load current for the given charge pump output voltage options.

Power Efficiency and Device Evaluation

The charge pump efficiency discussion in the previous section only accounts for efficiency of the charge pump section itself. Due to the unique circuit architecture and design of the AAT3113 and AAT3114/14A, it is very difficult to measure efficiency in terms of a percent value comparing input power over output power. Since the device outputs are pure constant current sources, it is difficult to measure the output voltage for a given output (D1 to D6) to derive an output power measurement. For any given application, white LED forward voltage levels can differ, yet the output drive current will be maintained as a constant. This makes quantifying output power a difficult task when taken in the context of comparing to other white LED driver circuit topologies. A better way to quantify total device efficiency is to observe the total input power to the device for a given LED current drive level. The best white LED driver for a given application should be based on trade-offs of size, external components count, reliability, operating range, and total energy usage...not just "% efficiency."

AAT3113/AAT3114 Input Power vs. LED Current



Capacitor Selection

Careful selection of the four external capacitors C_{IN} , C_1 , C_2 , and C_{OUT} is important because they will affect turn-on time, output ripple, and transient per-

formance. Optimum performance will be obtained when low equivalent series resistance (ESR) ceramic capacitors are used. In general, low ESR may be defined as less than 100mΩ. A value of 1μF for all four capacitors is a good starting point when choosing capacitors. If the LED current sources are only programmed for minimal current levels, then the capacitor size may be decreased.

Capacitor Characteristics

Ceramic composition capacitors are highly recommended over all other types of capacitors for use with the AAT3113 and AAT3114/14A products. Ceramic capacitors offer many advantages over their tantalum and aluminum electrolytic counterparts. A ceramic capacitor typically has very low ESR, is lowest cost, has a smaller PCB footprint, and is non-polarized. Low ESR ceramic capacitors help maximize charge pump transient response. Since ceramic capacitors are non-polarized, they are not prone to incorrect connection damage.

Equivalent Series Resistance: ESR is an important characteristic to consider when selecting a capacitor. ESR is a resistance internal to a capacitor that is caused by the leads, internal connections, size or area, material composition, and ambient temperature. Capacitor ESR is typically measured in milliohms for ceramic capacitors and can range to more than several ohms for tantalum or aluminum electrolytic capacitors.

Ceramic Capacitor Materials: Ceramic capacitors less than 0.1μF are typically made from NPO or C0G materials. NPO and C0G materials generally have tight tolerance and are very stable over temperature. Larger capacitor values are usually composed of X7R, X5R, Z5U, or Y5V dielectric materials. Large ceramic capacitors (i.e., greater than 2.2μF) are often available in low-cost Y5V and Z5U dielectrics, but capacitors greater than 1μF are not typically required for AAT3113 or AAT3114/14A applications.

Capacitor area is another contributor to ESR. Capacitors that are physically large will have a lower ESR when compared to an equivalent material smaller capacitor. These larger devices can improve circuit transient response when compared to an equal value capacitor in a smaller package size.

Test Current/Channel Disable

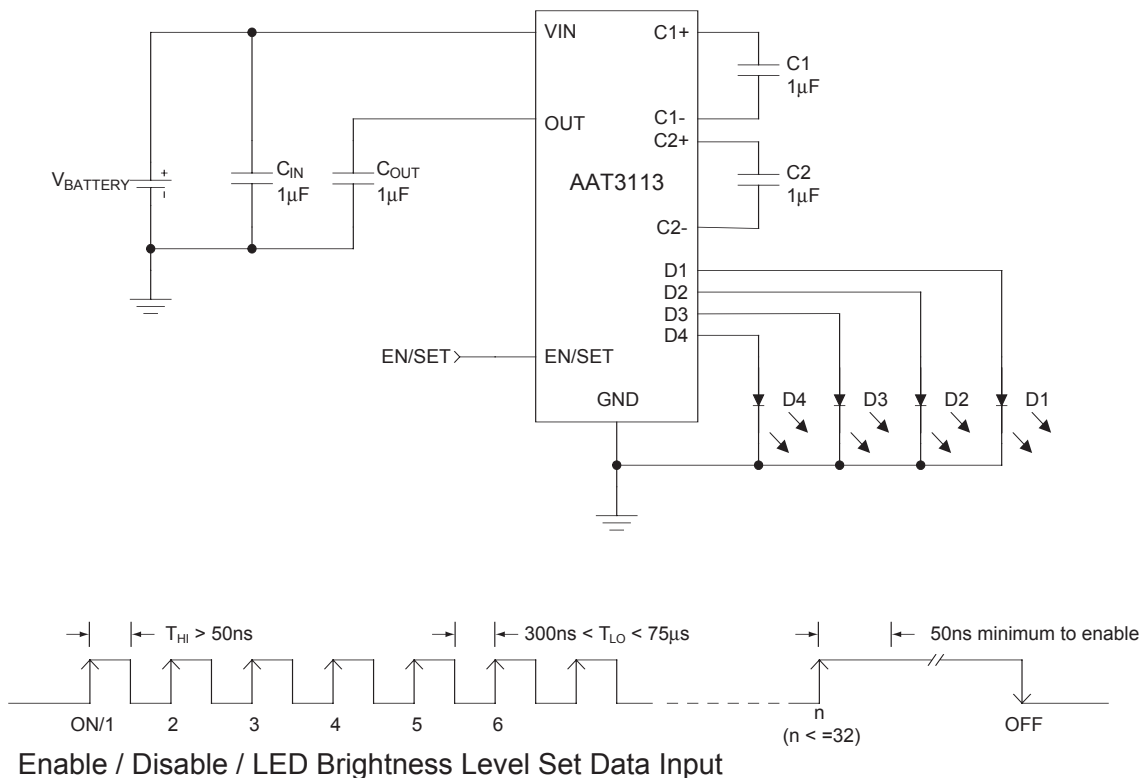
Each channel of the output is equipped with a test current function. The AAT3113 and AAT3114 use a small ($\sim 2\mu\text{A}$) current source injected into each output pin to detect the presence of an LED. Unused channels that are tied to ground or LED load fail short will be automatically disabled instead of wasting the programmed output current. The test current in the AAT3114A is higher ($\sim 150\mu\text{A}$) to accommodate LEDs with lower impedance in failure mode.

Thermal Protection

The AAT3113 and AAT3114/14A have a thermal protection circuit that will shut down the charge pump and current outputs if the die temperature rises above the thermal limit. However, thermal resistance of the QFN package is so low that if, in the case of the AAT3114/14A, all six outputs are shorted to ground at maximum 20mA output level, the die temperature will not rise sufficiently to trip the thermal protection. The thermal protection will only trip if C_{OUT} is shorted to ground and the ambient temperature is high.

Application Circuits

Typical AAT3113 Application Circuit:

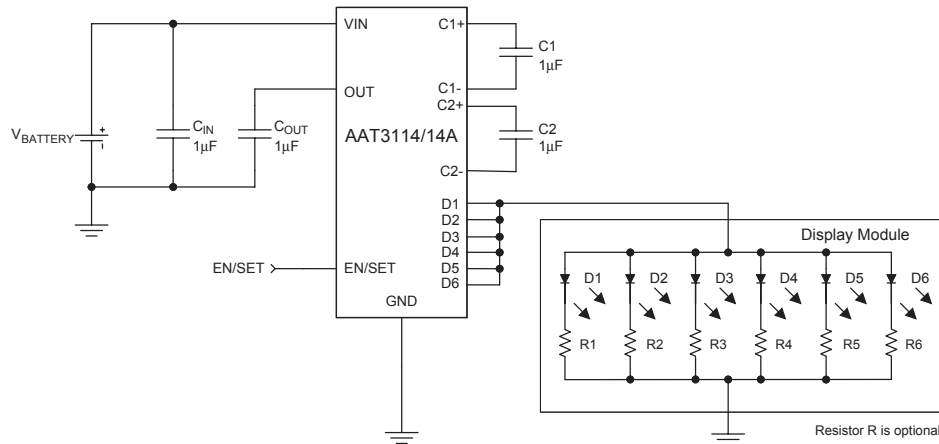


Driving white LED display module backlights and individual white LEDs connected in parallel:

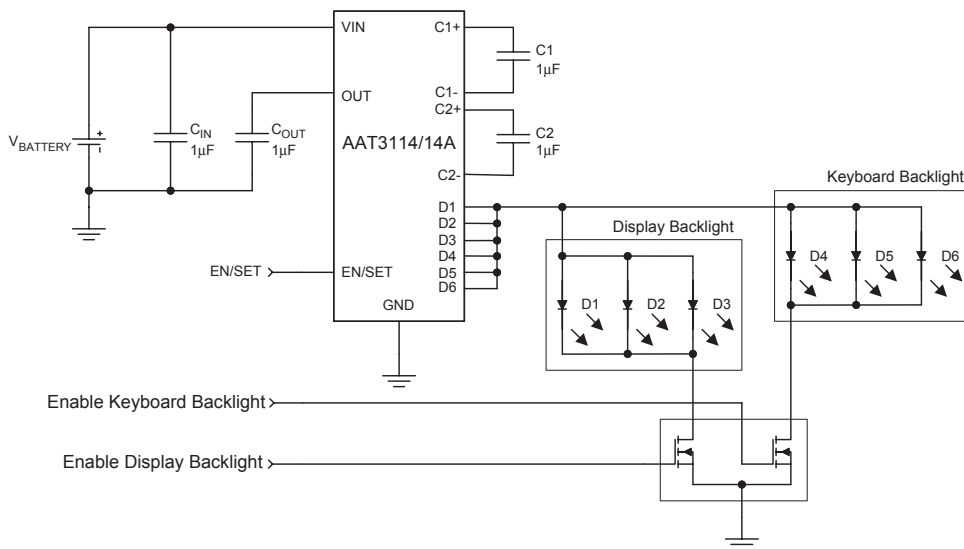
The AAT3114/14A D1 to D6 outputs are true constant current sources capable of driving up to 20mA each over the operation input voltage range. Since these outputs are true constant current sources, they may be connected in parallel to drive a single power output. Any combination of outputs (D1 to D6) may be connected in parallel. The maximum total output current is a sum of parallel-connected

current sources. This feature is particularly useful to power pre-manufactured display modules that are pre-wired with white LED backlights connected in a parallel circuit configuration. All outputs can be connected in parallel to drive groups of LEDs as well. The internal current source reference circuit bases feedback from current sensed on the D1 output. For best operation, the only requirement for this application is that the output D1 should always be connected to the load circuit.

AAT3114/14A Application Driving a Display Module With Six Parallel-Connected White LEDs:



AAT3114/14A Dual Backlight Control Circuit:



Ordering Information

| Package | Marking ¹ | Part Number (Tape and Reel) ² |
|-----------|----------------------|--|
| TSOPJW-12 | HTXYY | AAT3113ITP-20-T1 |
| QFN44-16 | FGXYY | AAT3114ISN-20-T1 |
| QFN44-16 | OVXYY | AAT3114AISN-20-T1 |



All AnalogicTech products are offered in Pb-free packaging. The term “Pb-free” means semiconductor products that are in compliance with current RoHS standards, including the requirement that lead not exceed 0.1% by weight in homogeneous materials. For more information, please visit our website at <http://www.analogictech.com/pbfree>.

Package Information

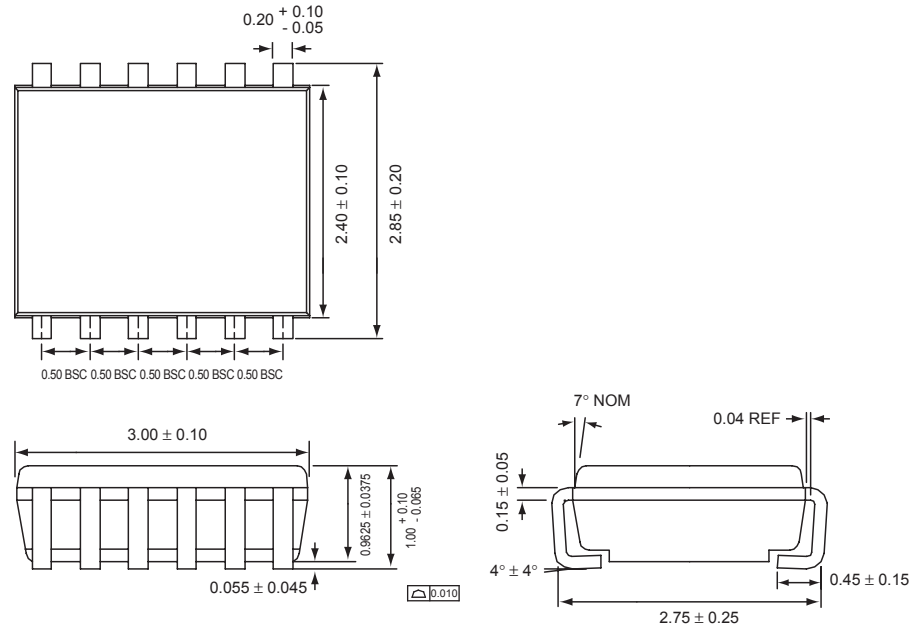
QFN44-16



All dimensions in millimeters.

1. XYY = assembly and date code.
2. Sample stock is generally held on all part numbers listed in **BOLD**.

TSOPJW-12



All dimensions in millimeters.

© Advanced Analogic Technologies, Inc.

AnalogicTech cannot assume responsibility for use of any circuitry other than circuitry entirely embodied in an AnalogicTech product. No circuit patent licenses, copyrights, mask work rights, or other intellectual property rights are implied. AnalogicTech reserves the right to make changes to their products or specifications or to discontinue any product or service without notice. Customers are advised to obtain the latest version of relevant information to verify, before placing orders, that information being relied on is current and complete. All products are sold subject to the terms and conditions of sale supplied at the time of order acknowledgement, including those pertaining to warranty, patent infringement, and limitation of liability. AnalogicTech warrants performance of its semiconductor products to the specifications applicable at the time of sale in accordance with AnalogicTech's standard warranty. Testing and other quality control techniques are utilized to the extent AnalogicTech deems necessary to support this warranty. Specific testing of all parameters of each device is not necessarily performed.

AnalogicTech and the AnalogicTech logo are trademarks of Advanced Analogic Technologies Incorporated. All other brand and product names appearing in this document are registered trademarks or trademarks of their respective holders.

Advanced Analogic Technologies, Inc.
 830 E. Arques Avenue, Sunnyvale, CA 94085
 Phone (408) 737-4600
 Fax (408) 737-4611