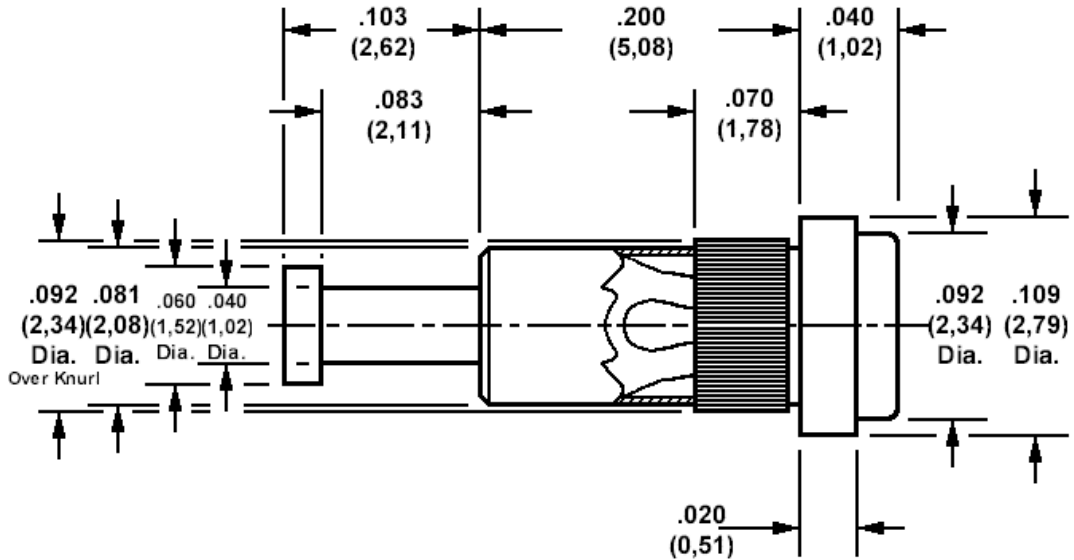


## 450-3755 Knurl mount socket, for .040 (1,02) diameter pins

Recommended mounting hole .089 (2,26) ± .001 (0,03), #43 drill



Min hole depth .185 (4,70)

### How to order code

**450-3755-01-XX-00**

Basic Part No XX = Finish

MATERIALS				
Component	Material	Finish(-03)	Finish(-04)	Finish(-06)
Body	Brass	Gold over Nickel	Tin	Tin
Spring	Beryllium copper	Gold over Nickel	Tin	Gold over Nickel