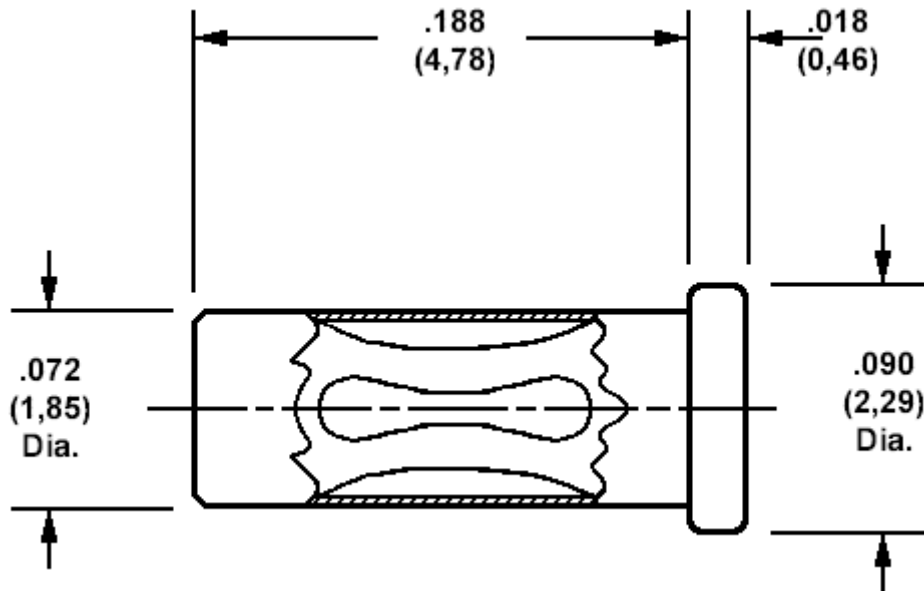


450-3718 Solder mount socket, for .030 (0,76) to .032 (0,81) diameter pins

Recommended mounting hole .076 (1,93) + .002 (0,05), - .001 (0,05), #48 drill



Min hole depth .190 (4,85)

How to order code
450-3718-01-XX-00
Basic Part No XX = Finish

MATERIALS				
Component	Material	Finish(-03)	Finish(-04)	Finish(-06)
Body	Copper	Gold over Nickel	Tin	Tin
Spring	Beryllium copper	Gold over Nickel	Tin	Gold over Nickel