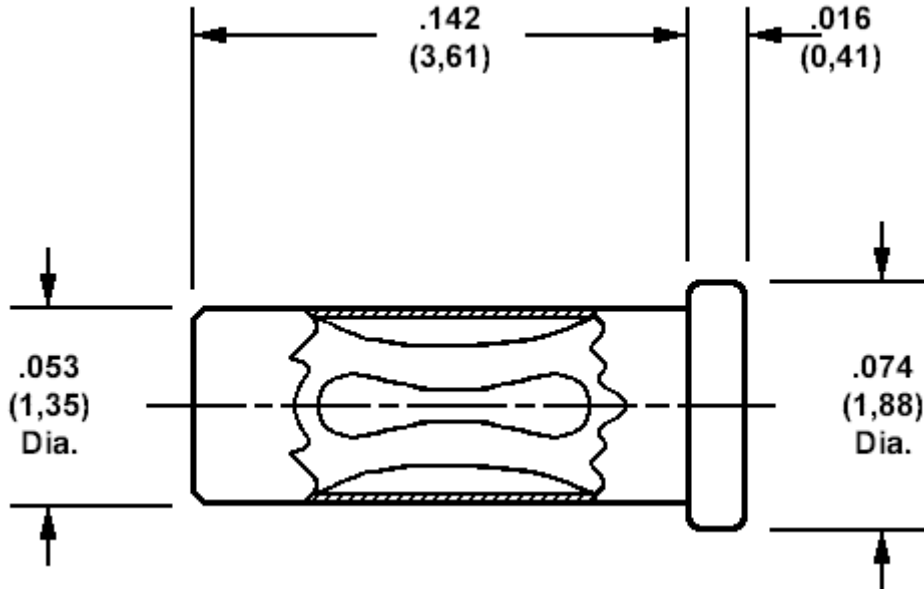


450-3703 Solder mount socket, for .025 (0,64) diameter pins

Recommended mounting hole .055 (1,40) ± .002 (0,05), #54 drill



Min hole depth .141 (3,58)

How to order code
450-3703-01-XX-00
Basic Part No XX = Finish

MATERIALS				
Component	Material	Finish(-03)	Finish(-04)	Finish(-06)
Body	Copper	Gold over Nickel	Tin	Tin
Spring	Beryllium copper	Gold over Nickel	Tin	Gold over Nickel