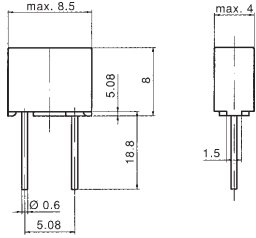


FWF 125 F Quick-acting; FWT 125 T Time-lag, Fuse with Radial Leads

NEW



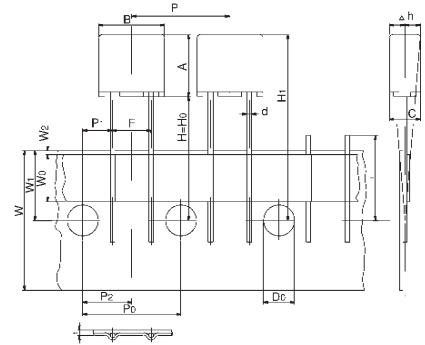
Pre-arcing time/current
Characteristic temps (at Ta 23 °C)

n • I _n	1 • I _n	2 • I _n	2 • I _n
rated current I _n			
FWF 125 F 50mA – 6.3A	> 4 h*	< 60 s	< 5 s
FWT 125 T 50mA – 6.3A	> 4 h	< 60 s	

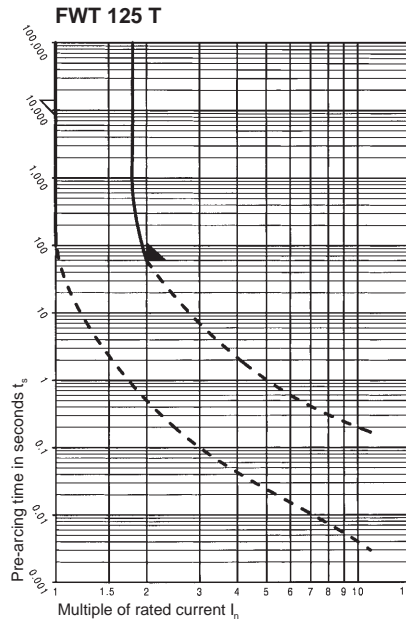
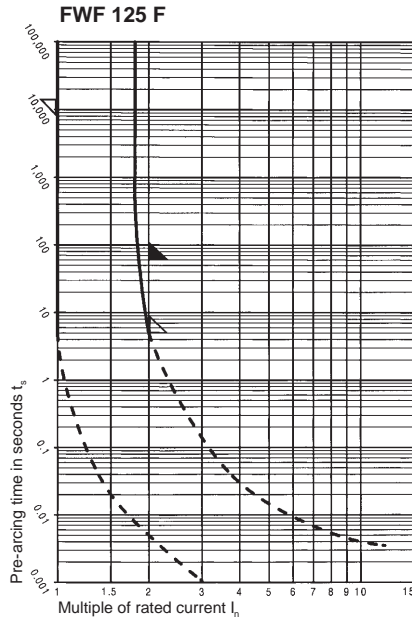
* Non fusing current I_n

Approvals:

c-UL-us recognition 50mA – 6.3A File #E41599



- A = body height 8 mm, max. tolerance
- B = body width 8.5 mm, max. tolerance
- C = body thickness 4 mm, max. tolerance
- d = lead wire diameter 0.6 mm, +0.06 / -0.05 tolerance
- P = pitch of component 12.7 mm, ±1 tolerance
- P₀ = feed hole pitch 12.7 mm, ±0.2 tolerance
- P₁ = hole center to lead 3.85 mm, ±0.7 tolerance
- P₂ = feed hole center to component center 6.35 mm, ±0.4 tolerance
- F = lead-lead distance 5 mm, +0.4 / -0.1 tolerance
- h = component alignment 0, ±1 tolerance
- W = tape width 18 mm, ±0.5 tolerance
- W₀ = hold-down tape width 6 mm, min. tolerance
- W₁ = hole position 9 mm, ±0.5 tolerance
- W₂ = hold-down tape position 0.5 mm, max. tolerance
- H = height of component from tape center 18.5 mm, ±0.5 tolerance
- H₀ = lead-wire clinch height
- H₁ = component height 32.2 mm, max. tolerance
- D₀ = feed hole diameter 4 mm, ±0.2 tolerance
- t = total tape thickness 0.7 mm, ±0.2 tolerance
- l = length of snapped leads 11 mm, max. tolerance



Technical Data

Ambient temperature max. T_a	-25 °C to +60 °C
Vibration resistance	10 to 60 Hz constant amplitude of 1.5mm; 60 to 2000 Hz constant acceleration of 100 m/s ² (10g); 24 cycles of 15 minutes according to IEC 60068-6
Climatic category	25 / 70 / 21 according to EN 60068-1...3
Solderability (reflow and wave soldering)	260 °C < 3 sec. Warebath) / 350 °C < 1 sec.(soldering iron)
Soldering heat resistance	260 °C / 10 sec. according to IEC 60068-2, Part 20
Material: Housing	temperature resistant plastic (UL 94V-0)
Terminals	copper, tin-plated

FWF 125 F Quick acting	Rated current / rated voltage	Breaking Capacity	Volt. drop @ I _n	Sustained Power diss. @ 1 • I _n	Pre-arcing t _a at 10 • I _n	FWT 125 T Time-lag	Rated current / rated voltage	Breaking Capacity	Volt. drop at I _n	Sustained Power diss. at 1 • I _n	Pre-arcing t _a at 10 • I _n	Packaging
Order Numbers	mA / A / V ~	A - ac / dc	max. mV	max. mW	max. A ² s	Order Numbers	mA / A / V ~	A - ac / dc	max. mV	max. mW	max. A ² s	
0034.7401	50 mA / 125V	100A / 125V AC p.f. = 1	1600	85	0.0001	0034.7501	50 mA / 125V	100A / 125V AC p.f. = 1	900	45	0.0056	1,250 pcs, Ammopack, taped & reeled according to IEC 286, Part 2
0034.7402	63 mA / 125V		1300	85	0.00013	0034.7502	63 mA / 125V		800	50	0.009	
0034.7403	80 mA / 125V		1200	100	0.0002	0034.7503	80 mA / 125V		700	55	0.014	
0034.7404	100 mA / 125V		1100	110	0.0013	0034.7504	100 mA / 125V		600	60	0.025	
0034.7405	125 mA / 125V		1350	160	0.0019	0034.7505	125 mA / 125V		550	70	0.044	
0034.7406	160 mA / 125V		1000	150	0.0037	0034.7506	160 mA / 125V		480	80	0.058	
0034.7407	200 mA / 125V		950	210	0.0075	0034.7507	200 mA / 125V		390	80	0.1	
0034.7408	250 mA / 125V		900	225	0.013	0034.7508	250 mA / 125V		350	90	0.17	
0034.7409	315 mA / 125V		800	255	0.026	0034.7509	315 mA / 125V		300	95	0.26	
0034.7410	400 mA / 125V		230	95	0.015	0034.7510	400 mA / 125V		250	100	0.32	
0034.7411	500 mA / 125V		220	110	0.022	0034.7511	500 mA / 125V		220	110	0.58	
0034.7412	630 mA / 125V		210	135	0.038	0034.7512	630 mA / 125V		210	135	0.75	
0034.7413	800 mA / 125V		200	160	0.068	0034.7513	800 mA / 125V		160	130	0.98	
0034.7414	1 A / 125V		190	190	0.1	0034.7514	1 A / 125V		155	155	2.8	
0034.7415	1.25 A / 125V		180	225	0.2	0034.7515	1.25 A / 125V		145	185	3.8	
0034.7416	1.6 A / 125V		170	275	0.39	0034.7516	1.6 A / 125V		130	210	5.2	
0034.7417	2 A / 125V		160	450	0.53	0034.7517	2 A / 125V		125	250	7.5	
0034.7418	2.5 A / 125V	150	375	1.2	0034.7518	2.5 A / 125V	120	300	14			
0034.7419	3.15 A / 125V	140	445	1.9	0034.7519	3.15 A / 125V	110	350	22			
0034.7420	4 A / 125V	130	520	3.2	0034.7520	4 A / 125V	110	400	27			
0034.7421	5 A / 125V	120	600	6.1	0034.7521	5 A / 125V	95	475	59			
0034.7422	6.3 A / 125V	115	850	9.7	0034.7522	6.3 A / 125V	85	570	100			