

PLEASE CHECK WWW.MOLEX.COM FOR LATEST PART INFORMATION

Part Number: [0561178328](#)
Status: **Active**
Description: CRC™ Shielded Rectangular I/O Male Terminal, Signal, Sequential Type, Bag, Lead-free

Documents:

[Drawing \(PDF\)](#) [Product Specification PS-51238-018 \(PDF\)](#)
[Product Specification PS-51238-017 \(PDF\)](#) [RoHS Certificate of Compliance \(PDF\)](#)

General

Product Family	I/O Connectors
Series	56117
Application	N/A
Component Type	Terminal
Product Name	CRC™
Type	N/A

Physical

Boot Color	N/A
Circuits (Loaded)	N/A
Durability (mating cycles max)	100
Gender	Male
Lock to Mating Part	Yes
Material - Metal	Phosphor Bronze
Material - Plating Mating	Gold
Material - Plating Termination	Tin
Orientation	Vertical
PCB Locator	No
Packaging Type	Bag
Panel Mount	N/A
Pitch - Mating Interface (in)	0.000 In
Pitch - Mating Interface (mm)	0.00 mm
Plating min: Mating (µin)	10
Plating min: Mating (µm)	0.25
Plating min: Termination (µin)	40
Plating min: Termination (µm)	1
Polarized to Mating Part	N/A
Polarized to PCB	N/A
Surface Mount Compatible (SMC)	N/A
Temperature Range - Operating	-40°C to +105°C
Termination Interface: Style	Crimp or Compression
Waterproof / Dustproof	No
Wire Insulation Diameter	2.20mm (.087") max.
Wire Size AWG	18, 22

Electrical

Current - Maximum per Contact	7A
Shielded	No
Voltage - Maximum	250V AC (RMS)/DC

Material Info

Reference - Drawing Numbers

Product Specification	PS-51238-017, PS-51238-018, RPS-51238-001
Sales Drawing	SD-56117-004



EU RoHS
ELV and RoHS
Compliant
REACH SVHC
 Not Reviewed
Halogen-Free
Status
Not Reviewed

China RoHS



Need more information on product environmental compliance?

Email productcompliance@molex.com
 For a multiple part number RoHS Certificate of Compliance, [click here](#)

Please visit the [Contact Us](#) section for any non-product compliance questions.

Search Parts in this Series

56117Series

Mates With

[56120](#) 24-28 AWG Terminal, [56121](#) 18-22 AWG Terminal

Use With

[51233](#) Pin Housing Assembly, [51234](#) Socket Housing Assembly

Application Tooling | FAQ

Tooling specifications and manuals are found by selecting the products below. Crimp Height Specifications are then contained in the Application Tooling Specification document.

Global

Description	Product #
Extraction Tool for CRC™ Compact Robot Connector Crimp Male Terminal	0638133300

Hand Tool for 0638192100
CRC™ Shielded
Rectangular I/O Male
Terminals, 18-22
AWG

Japan

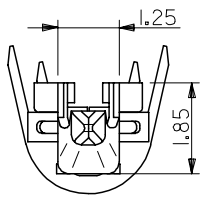
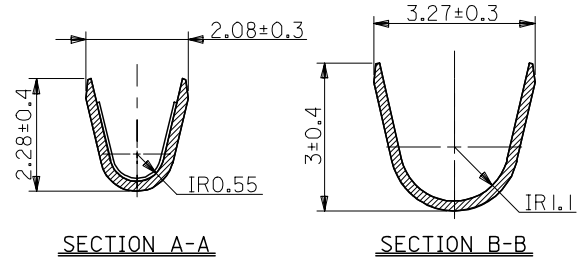
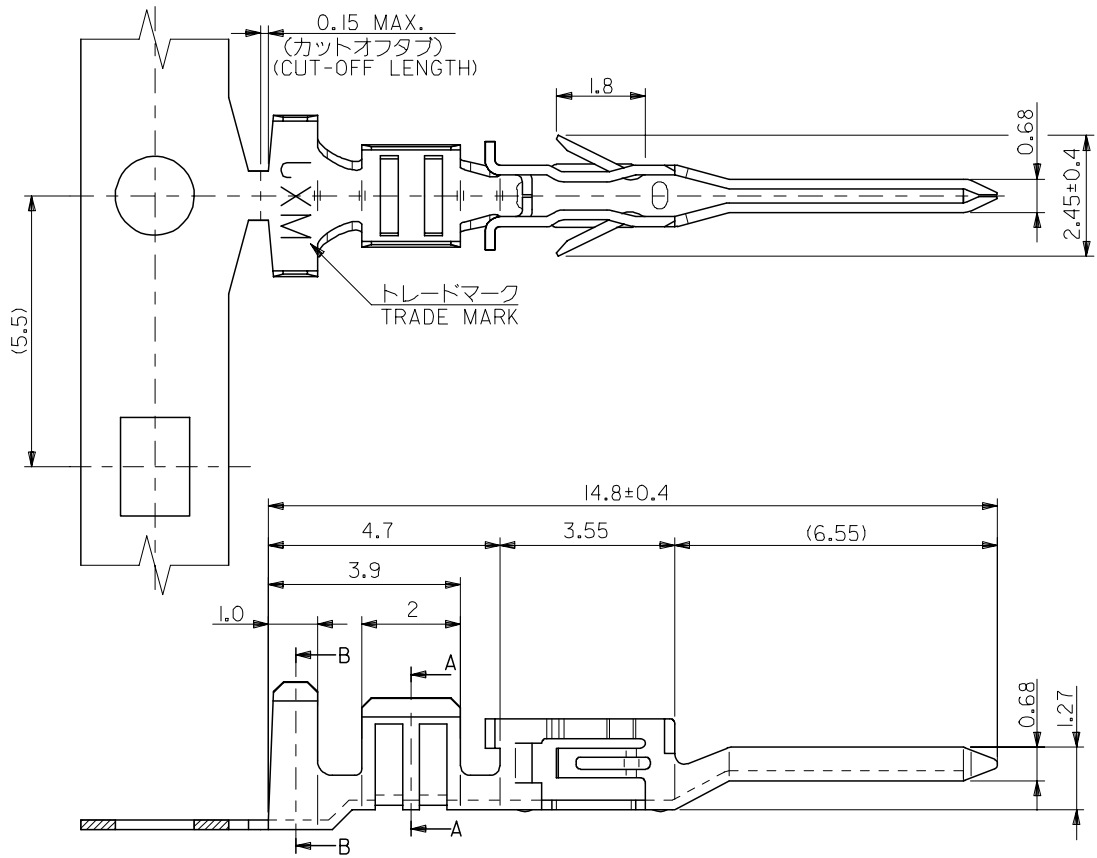
Description	Product #
Crimp Hand Tool (Straight Action)	<u>0574075400</u>
Hand Extraction Tool	<u>0574076000</u>

This document was generated on 04/05/2010

PLEASE CHECK WWW.MOLEX.COM FOR LATEST PART INFORMATION

10 9 8 7 6 5 4 3 2 1

F
E
D
C
B
A



注記
NOTES

- 材質
MATERIAL
りん青銅 (板厚: 0.2)
PHOSPHOR BRONZE (THICKNESS : 0.2)
- メッキ仕様
TERMINAL PLATING
接点部 : 金メッキ 0.25 μm MIN.
CONTACT AREA : GOLD 0.25 μm MIN.
圧着部 : 錫メッキ 1.0 μm MIN.
CRIMP AREA : TIN 1.0 μm MIN.
下地メッキ : ニッケルメッキ 2 μm MIN.
UNDER PLATE : NICKEL 2 μm MIN.
- 適用電線 : UL 1007 , AWG #18~22
APPLICABLE WIRE RANGE : UL1007 , AWG#18~22
- 被覆外径 : φ2.2 MAX.
INSULATION EXTERNAL DIA : φ2.2 MAX.
- 適用ハウジング : 51233-**** , 51234-****
APPLICABLE HOUSING : 51233-**** , 51234-****

バラ状 LOOSE	56117-8328	56117-8***
連鎖状 CHAIN	56117-8228	
端子形状 TERMINAL CONFIGURATION	MATERIAL No.	MODEL No.

RELEASED EC NO: J2005-2545 DRWN: YSUGIURA01 2005/03/04 CHKD: MTANAKA 2005/03/07 APPR: NUKITA 2005/03/15	GENERAL TOLERANCES (UNLESS SPECIFIED)		DIMENSION STYLE MM ONLY		SCALE ---	DESIGN UNITS METRIC	THIRD ANGLE PROJECTION	
	10 UNDER	±0.2	DRAWN BY YSUGIURA	DATE 2005/03/02	TITLE COMPACT ROBOT CONN. (CRC) CRIMP PIN -LEAD FREE-			
	10 OVER 30 UNDER	±0.25	CHECKED BY MTANAKA	DATE 2005/03/02	MOLEX INCORPORATED			
	30 OVER	±0.3	APPROVED BY NUKITA	DATE 2005/03/02	DOCUMENT NO. SD-56117-004			
	ANGULAR	±3 °	MATERIAL NO. SEE CHART		SHEET NO. 1 OF 1			
0	DRAFT WHERE APPLICABLE MUST REMAIN WITHIN DIMENSIONS		SIZE A3		THIS DRAWING CONTAINS INFORMATION THAT IS PROPRIETARY TO MOLEX INCORPORATED AND SHOULD NOT BE USED WITHOUT WRITTEN PERMISSION			