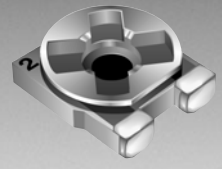


\*RoHS COMPLIANT



**BOURNS®**

**Features**

- Recommended for reflow processing
- Rotor design compatible with pick and place and automatic adjustment equipment
- 2 mm size meets EIA/EIAJ standard trimmer footprint

■ RoHS compliant\* - see [processing information](#) on lead free surface mount trimmers

**TC22 - 2 mm SMD Trimming Potentiometer**

**Electrical Characteristics**

Standard Resistance Range  
 .....100 ohms to 1 megohm  
 (see standard resistance table)  
 Resistance Tolerance .....±25 % std.  
 Absolute Minimum Resistance  
 ≤ 1 K Ohms .....20 ohms max.  
 >1 K Ohms .....2 % max. of TR  
 Contact Resistance Variation ..5 % max.  
 Resolution.....Infinite  
 Adjustment Angle.....260 ° ±20 °

**Environmental Characteristics**

Power Rating (50 VDC max.)  
 70 °C .....0.1 watt  
 Temperature Range ....-40 °C to +100 °C  
 Temperature Coefficient ....±250 ppm/°C  
 Humidity .....95 % RH  
 TRS max. ....±5 %  
 Load Life  
 .....@ 70 °C rated power 1000 hours  
 TRS ±5 %  
 Rotational Cycling.....20 cycles  
 TRS ± 5 %

**Physical Characteristics**

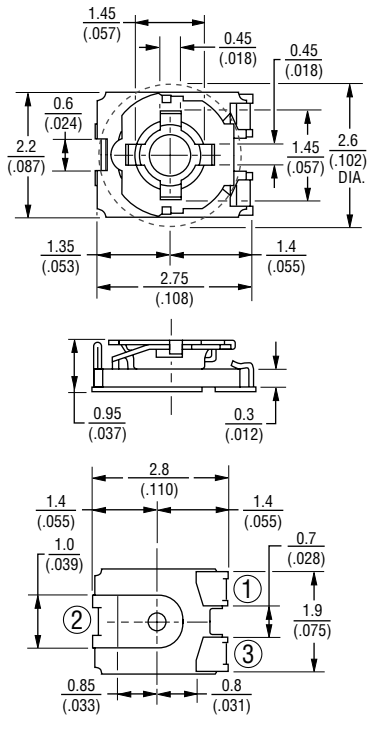
Torque .....0.49-7.84 mN-m max.  
 Mechanical Angle.....270 ° ±20 °  
 Marking.....Part marking code  
 Standard Packaging ...3000 pcs./7 " reel

**How To Order**

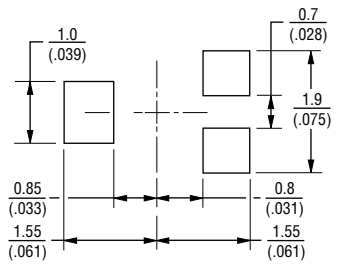
**TC22 X - 2 - 103 E**

Model \_\_\_\_\_  
 Style \_\_\_\_\_  
 Standard Product Indicator \_\_\_\_\_  
 -2 = Cross Slot Rotor  
 Resistance Code \_\_\_\_\_  
 Embossed Tape Designator \_\_\_\_\_  
 E = 3000 pcs./7 " Reel (Standard)

**Product Dimensions**



**Recommended Land Pattern**

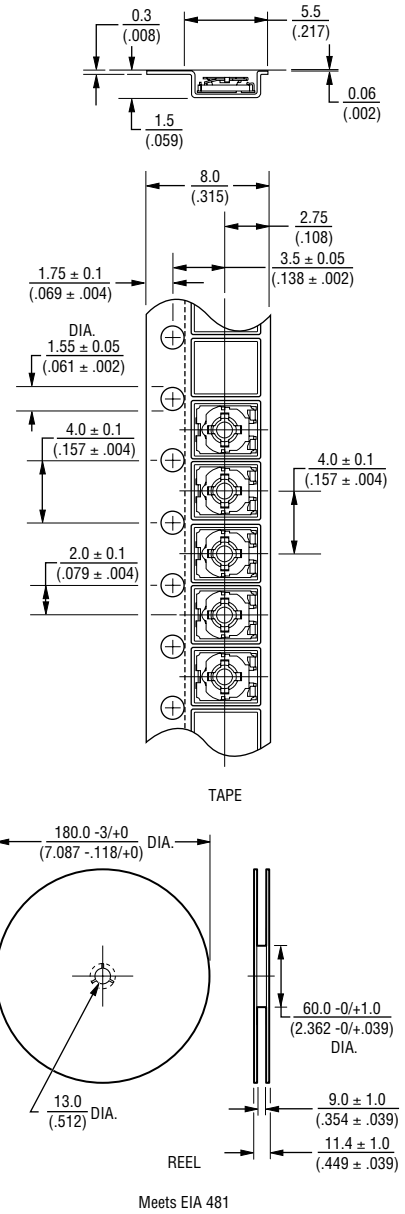


**Standard Resistance Table**

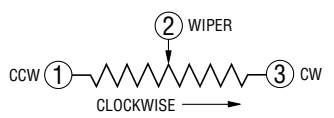
Resistance (Ohms)	Resistance Code
<b>100</b>	<b>101</b>
<b>200</b>	<b>201</b>
<b>500</b>	<b>501</b>
<b>1,000</b>	<b>102</b>
<b>2,000</b>	<b>202</b>
<b>5,000</b>	<b>502</b>
<b>10,000</b>	<b>103</b>
<b>20,000</b>	<b>203</b>
<b>50,000</b>	<b>503</b>
<b>100,000</b>	<b>104</b>
200,000	204
500,000	504
1,000,000	105

Popular distribution resistance values listed in boldface.

**Packaging Specifications**



DIMENSIONS ARE:  $\frac{\text{MM}}{\text{(INCHES)}}$



REV. 09/04

\*RoHS Directive 2002/95/EC Jan 27 2003 including Annex. Specifications are subject to change without notice. Customers should verify actual device performance in their specific applications.