

INPUT & OUTPUT

INPUT: thermocouples
 Minimum span: 3mV
 Zero suppression/elevation: max. 3 times span
 Input resistance: 20k Ω minimum
 Burnout sensing: 0.1 μ A
 Temperature range

T/C	USABLE RANGE		MIN. SPAN	
	$^{\circ}$ C	$^{\circ}$ F	$^{\circ}$ C	$^{\circ}$ F
(PR)	0 to 1760	32 to 3200	370	670
K (CA)	-270 to +1370	-450 to +2500	75	140
E (CRC)	-270 to +1000	-450 to +1830	50	100
J (IC)	-210 to +1200	-350 to +2190	60	110
T (CC)	-270 to +400	-450 to +750	75	140
B (RH)	0 to 1820	32 to 3300	780	1440
R	-50 to +1760	-50 to +3200	360	680
S	-50 to +1760	-50 to +3200	380	700
N	-270 to +1300	-450 to +2370	110	200

Remark: For the temperatures that range below 0 $^{\circ}$ C, the transmitter may partially not satisfy the described accuracy. Consult factory.

OUTPUT 1

•DC Current: 4 – 20mA DC
 Load resistance: 600 Ω maximum

•DC Voltage: 1 – 5V DC
 Load resistance: 500 Ω minimum

OUTPUT 2: 1 – 5V DC

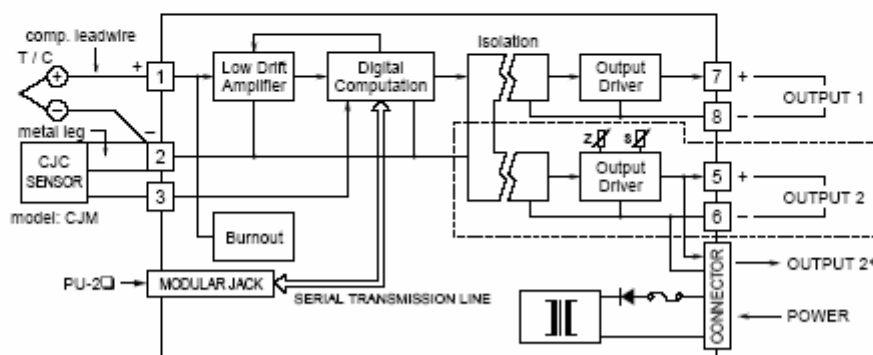
Load resistance: 5000 Ω minimum

INSTALLATION

Power input: 24V DC \pm 10% (ripple 10% p-p max.)
 approx. 60mA with voltage output 1
 approx. 90mA with current output 1
 Operating temperature: -5 to +55 $^{\circ}$ C (23 to 131 $^{\circ}$ F)
 Operating humidity: 30 to 90% RH (non-condensing)
 Mounting: Standard Rack 10BX \square
 Dimensions: W25 \times H99 \times D180 mm (0.98 \times 3.90 \times 7.09")
 See General Spec. Sheet Figure A-1.
 Weight: 220 g (0.49 lbs)
 Terminal assignment: See General Spec. Sheet Figure B-3.

PERFORMANCE in percentage of span

Accuracy: \pm 0.1%
 Linearization accuracy: \pm 0.05%
 Cold junction compensation error: \pm 0.5 $^{\circ}$ C or \pm 0.9 $^{\circ}$ F
 maximum (at 20 $^{\circ}$ C \pm 10 $^{\circ}$ C or 68 $^{\circ}$ F \pm 18 $^{\circ}$ F)
 Temp. coefficient: \pm 0.015%/ $^{\circ}$ C (\pm 0.008%/ $^{\circ}$ F)
 Response time: \leq 0.8 seconds (0 – 90%)
 Burnout response: \leq 10 seconds
 Line voltage effect: \pm 0.1% over voltage range
 Insulation resistance: \geq 100M Ω with 500V DC
 Dielectric strength: 500V AC @1 minute
 (input to output 1 to output 2 to power)
 1500V AC @1 minute
 (input or output or power to ground)

SCHEMATIC CIRCUITRY & CONNECTION DIAGRAM

*1 output type has the output 1 connected to the card-edge connector in parallel.
 Remark 1) The section enclosed by broken line is only for 2nd output channel.

Enlaircon Pty Ltd

Website: www.enlaircon.com.au Email: sales@enlaircon.com.au

Phone: (612) 9909 0353 Facsimile: (612) 9909 0823

Postal Address: PO Box 697 Spit Junction NSW 2088 Australia