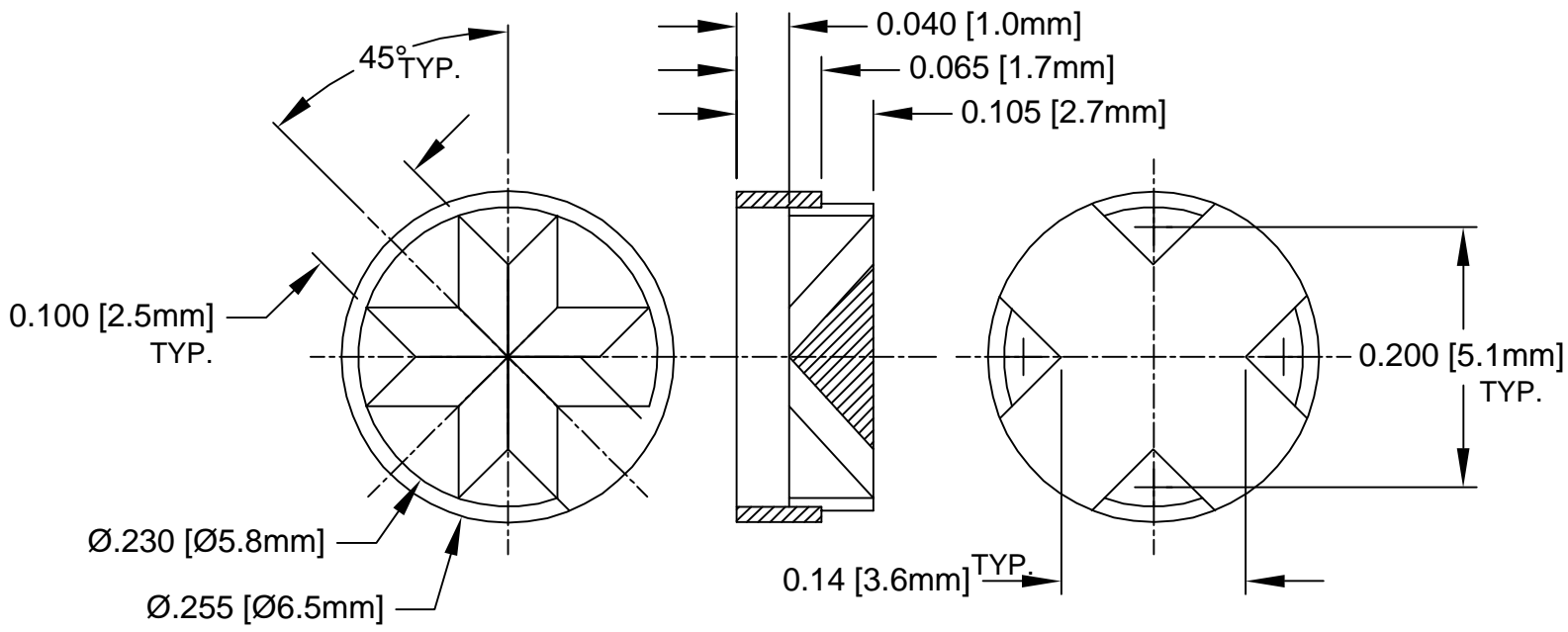


REV.	DESCRIPTION	DATE	APPROVED
C	Engineering Update w/o Changes	02/17/04	M. C.



- 2. MATERIAL: NYLON 6/6, 94V-2, WHITE. BIVAR MATERIAL CODE 04-WE.  
BASF ULTRAMID NYLON 6/6 A3K WHITE.
- 1. GENERAL SPECIFICATIONS: BIVAR MOLDED COMPONENT SPECIFICATION BV00-E101.

STANDARD TOLERANCE (UNLESS OTHERWISE SPECIFIED) DECIMALS                  ANGULAR .X                  ± .1                  X°                  ± 1° .XX                  ± .01 .XXX                  ± .005		 4 THOMAS, IRVINE, CA. 92618 TEL: (949) 951-8808    FAX: (949) 951-3974	
DESIGNED: <b>Shane Irving</b>		TITLE: PERM-O-PAD TO-18 MOUNT	
CHECKED: <b>M. Chen</b>		PART NO: 213-100	
DATE: <b>07/22/98</b>		REVISION: <b>C</b>	
DATE: <b>01/21/03</b>		CAGE CODE : 32559    SHEET # 1 OF 1	
CAD GENERATED DOCUMENT, DO NOT MEASURE DRAWING.			