

Broadband Two-Way Power Divider 2 MHz - 2 GHz

H-8-4

V2.00

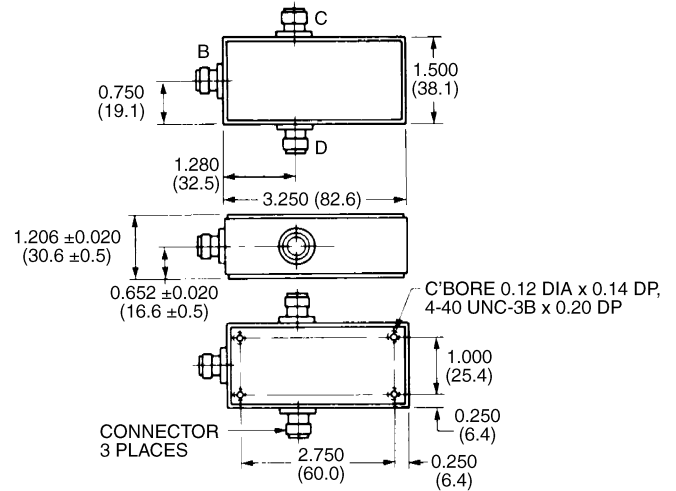
Features

- 11 Octave Coverage
- Low Loss – 1.25 dB Max
- High Isolation – 20 dB Min

Guaranteed Specifications* (From – 55°C to + 85°C)

Frequency Range	2 MHz-2 GHz	
Insertion Loss (Less coupling)	2-10 MHz	1.0 dB Max
	10-1000 MHz	1.0 dB Max
	1000 MHz-2 GHz	1.7 dB Max
Isolation	2-10 MHz	20 dB Min
	10-1000 MHz	25 dB Min
	1000 MHz-2 GHz	20 dB Min
Amplitude Balance	2-10 MHz	0.1 dB Max
	10-1000 MHz	0.1 dB Max
	1000 MHz-2 GHz	0.6 dB Max
Phase Balance	2-1000 MHz	2.5° Max
	1000 MHz-2 GHz	5° Max
VSWR (All Ports)	2-10 MHz	2.5:1 Max
	10-1000 MHz	1.3:1 Max
	1000 MHz-2 GHz	1.5:1 Max

C-19



Operating Characteristics

Impedance	50 Ohms Nominal
Maximum Power Rating or Input Power	2.0 Watts Max
Internal Load Dissipation	0.5 Watt Max
Environmental	
MIL-STD-202 screening available.	

*All specifications apply with 50 ohm source and load impedance.

Ordering Information

Part No.	Package
H-8-4 N	Connectorized
H-8-4 SMA	Connectorized
H-8-4 TNC	Connectorized
H-8-4 BNC	Connectorized

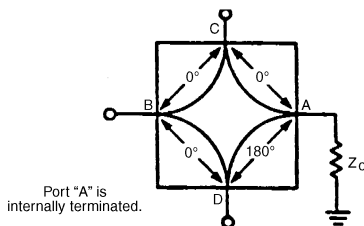


Figure 1. 2-Way, In-Phase (0°) Power Divider/Summer, or ISO-T

Typical Performance

