

ATM SAR CHIP

DESCRIPTION

The μ PD98401A (NEASCOT-S15TM) is a high-performance SAR chip that segments and reassembles ATM cells. This chip can interface with an ATM network when it is included in a workstation, computer, front-end processor, network hub, or router. The μ PD98401A conforms to the ATM Forum Recommendation, and provides the functions of the AAL-5 SAR sublayer and ATM layer.

The μ PD98401A is compatible with its predecessor, μ PD98401, in terms of hardware and software.

Functions are explained in detail in the following User's Manual. Be sure to read this manual when designing your system.

μ PD98401A User's Manual: S12054E

FEATURES

- Conforms to ATM Forum
- AAL-5 SAR sublayer and ATM layer functions
- Hardware support of AAL-5 processing
- Processing of non-AAL-5 traffic (AAL-3/4 cell, OAM cell, RM cell) by software with raw cell processing function
- Hardware support of comparison/generation of CRC-10 for non-AAL-5 traffic
- Supports up to 32K virtual channels (VC)
- Provided with 16 traffic shapers that carry out transmission scheduling (control of average rate/peak rate) so as to set different transmission rate for each VC
- Interface and commands for controlling PHY device
- Employs "UTOPIA interface" as cell data interface with PHY device
 - Octet-level handshake
 - Cell-level handshake
- 32-bit general-purpose bus interface
- High-speed DMAC (supports 1-, 2-, 4-, 8-, 12-, and 16-word burst)
- JTAG boundary scan test function (IEEE1149.1)
- CMOS technology
- +5 V single power source

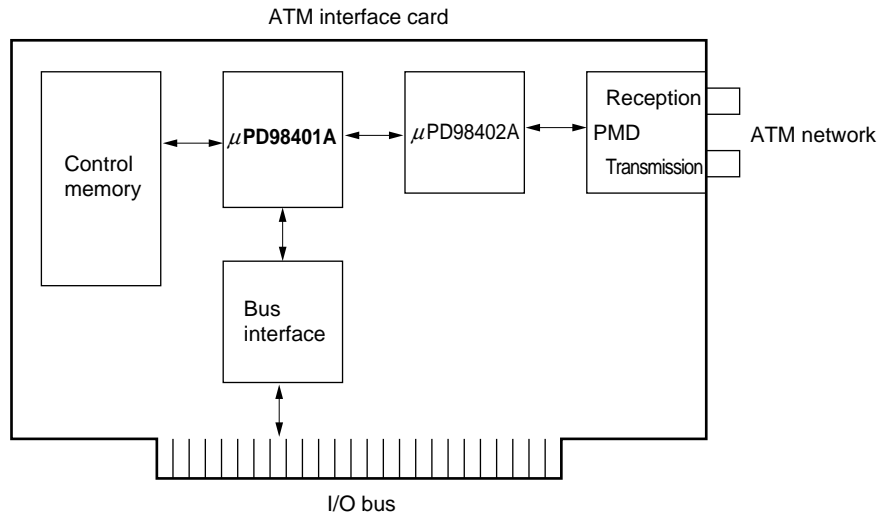
Remark In this document, an active low pin is indicated by xxx_B (_B after a pin name).

The information in this document is subject to change without notice.

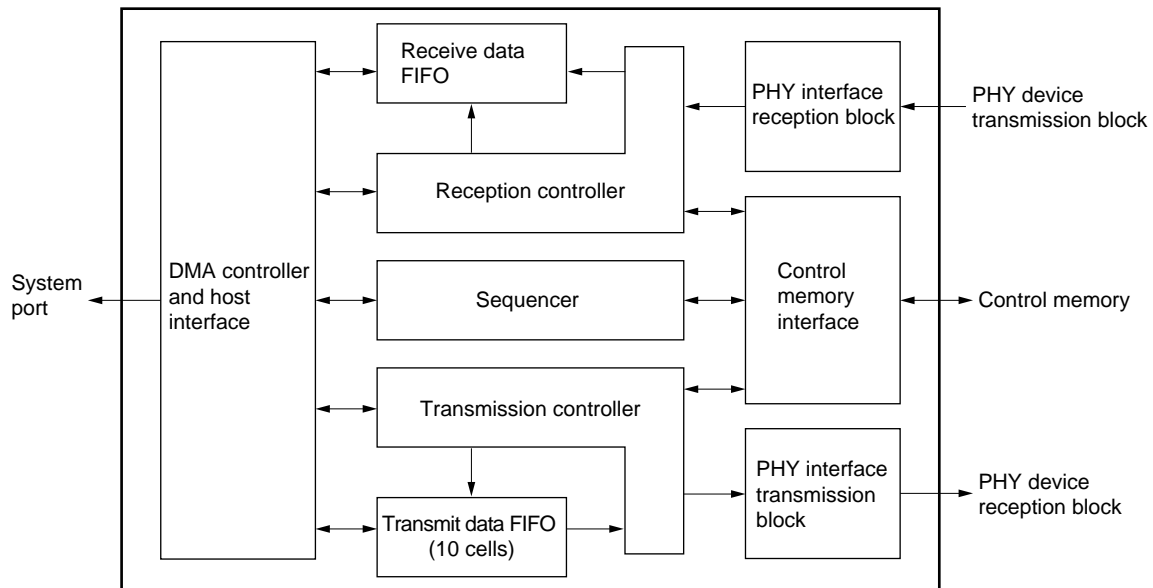
ORDERING INFORMATION

Part Number	Package
μPD98401AGD-MML	208-pin plastic QFP (fine pitch) (28 × 28 mm)

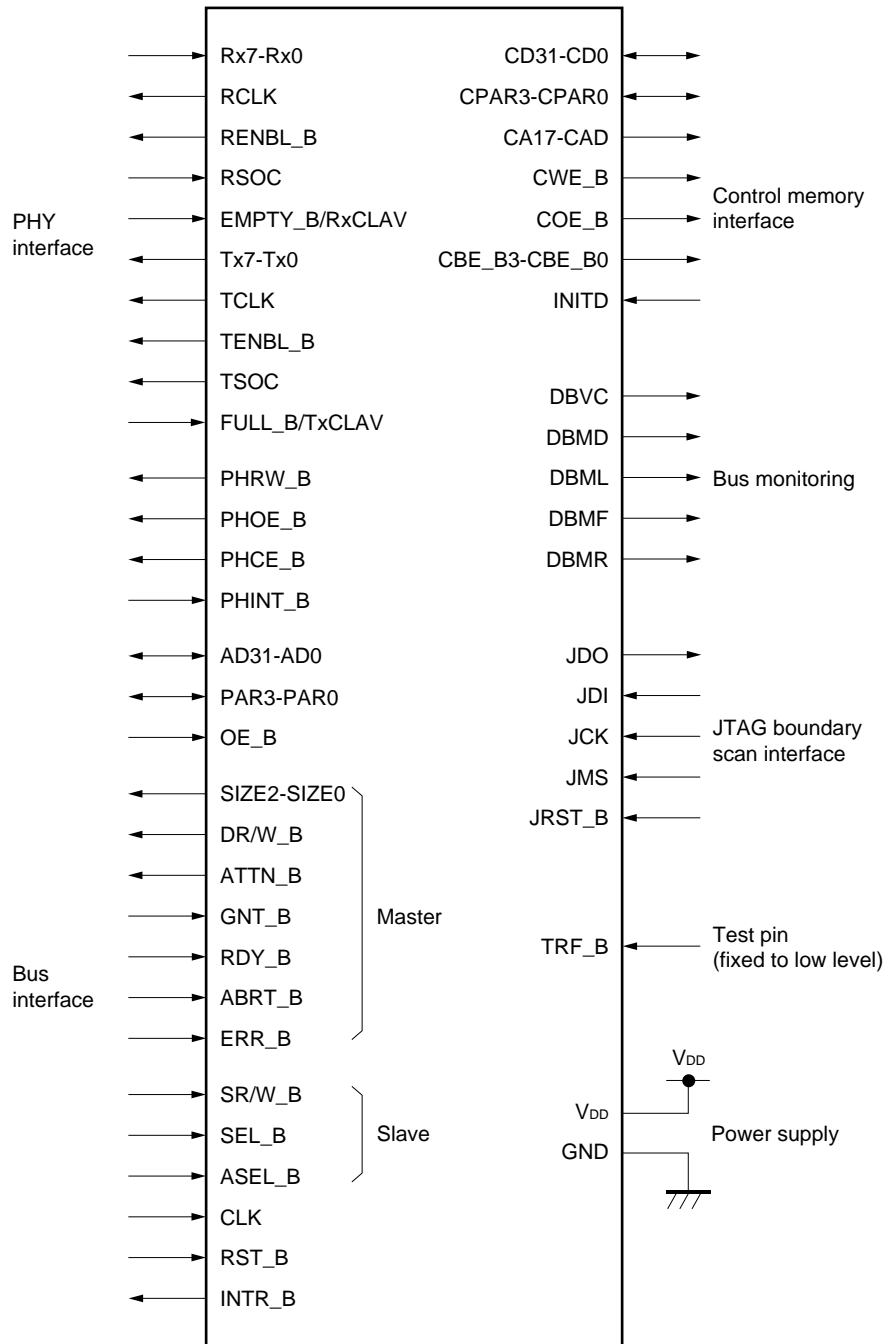
SYSTEM CONFIGURATION



BLOCK DIAGRAM

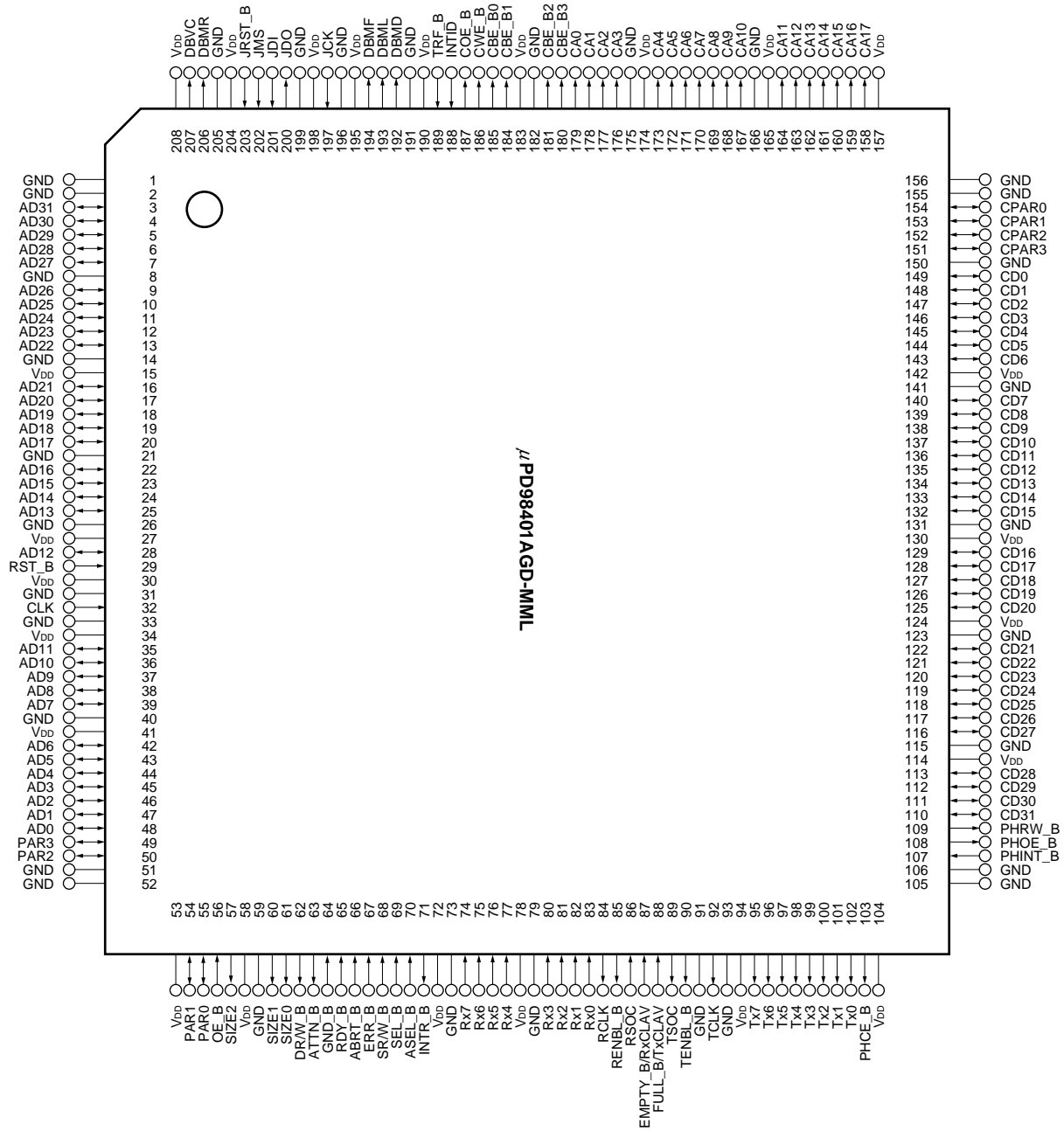


PIN CONFIGURATION



PIN CONFIGURATION (Top View)

208-pin plastic QFP (fine pitch) (28 x 28 mm)



PIN NAMES

ABRT_B	: Abort	PHCE_B	: PHY Chip Enable
AD31-AD0	: Address/Data	PHINT_B	: PHY Interrupt
ASEL_B	: Slave Address Select	PHOE_B	: PHY Output Enable
ATTN_B	: Attention/Burst Frame	PHRW_B	: PHY Read/Write
CA17-CA0	: Control Memory Address	RCLK	: Receive Clock
CBE_B3-CBE_B0	: Local Port Byte Enable	RDY_B	: Target Ready
CD31-CD0	: Control Memory Data	RENBL_B	: Receive Enable
CLK	: Clock	RSOC	: Receive Start Cell
COE_B	: Control Memory Output Enable	RST_B	: Reset
CPAR3-CPAR0	: Control Memory Parity	Rx7-Rx0	: Receive Data Bus
CWE_B	: Control Memory Write Enable	SLE_B	: Slave Select
DBMD	: DMA Bus Monitor Data	SIZE2-SIZE0	: Burst Size
DBMF	: DMA Bus Monitor First	SR/W_B	: Slave Read/Write
DBML	: DMA Bus Monitor Last	TCLK	: Transmit Clock
DBVC	: DMA Bus Monitor VC	TENBL_B	: Transmit Enable
DBMR	: DMA Bus Monitor Remaining	TSOC	: Transmit Start of Cell
DR/W_B	: DMA Read/Write	TRF_B	: Delay Select
EMPTY_B/RxCLAV	: PHY Output Buffer Empty	Tx7-Tx0	: Transmit Data Bus
ERR_B	: Error	V _{DD}	: Power Supply
FULL_B/TxCLAV	: PHY Buffer Full		
GND	: Ground		
GNT_B	: Grant		
INITD	: Initialization Disable		
INTR_B	: Interrupt		
JCK	: JTAG Test Pin		
JDI	: JTAG Test Pin		
JDO	: JTAG Test Pin		
JMS	: JTAG Test Pin		
JRST_B	: JTAG Test Pin		
OE_B	: Output Enable		
PAR3-PAR0	: Bus Parity		

CONTENTS

1. PIN FUNCTION 7

1.1 PHY Device Interface Pin 7

1.2 Bus Interface Pins 9

1.3 Bus Monitor Pins 12

1.4 Control Memory Interface Pins..... 13

1.5 JTAG Boundary Scan Pins 14

1.6 Test Pin..... 14

1.7 Power Supply and Ground Pins..... 14

1.8 Pin Status During and After Reset..... 15

2. DIFFERENCES FROM μPD98401 16

2.1 Additional Functions 16

2.2 Differences from μPD98401 (NEASCOT-S10™)..... 16

3. ELECTRICAL SPECIFICATIONS 17

4. PACKAGE DRAWINGS 33

5. RECOMMENDED SOLDERING CONDITIONS..... 34

1. PIN FUNCTION

The μPD98401A is housed in a package having 208 pins, of which 152 pins are function pins and 56 pins are V_{DD} and GND pins.

1.1 PHY Device Interface Pin

PHY device interfaces include a UTOPIA interface through which the μPD98401A transfers ATM cells with a PHY device, and a PHY control interface by which the μPD98401A controls the PHY device.

(1) UTOPIA interface

(1/2)

Pin Name	Pin No.	I/O	I/O Level	Function
Rx7-Rx4 Rx3-Rx0	74 - 77 80 - 83	I	TTL	Receive Data Bus. Rx7 through Rx0 constitute an 8-bit input bus which inputs data received from a network in byte format from a PHY device. The μPD98401A loads data in at the rising edge of RCLK.
RSOC	86	I	TTL	Receive Start Cell. The RSOC signal is input in synchronization with the first byte of the cell data from a PHY device. This signal remains high while the first byte of the header is input to Rx7 through Rx0.
RENBL_B	85	O	CMOS	Receive Enable. The RENBL_B signal indicates to a PHY device that the μPD98401A is ready to receive data in the next clock cycle. This signal goes high during and after reset.
EMPTY_B/ RxCLAV	87	I	TTL	PHY Output Buffer Empty/Rx Cell Available. This signal notifies the μPD98401A that there is no cell data to be transferred in the receive FIFO and that no receive data can be supplied to the PHY device. When the UTOPIA interface is in the octet-level handshake mode, this signal serves as EMPTY_B, indicating that the data on Rx7 through Rx0 are invalid in the current clock cycle. In the cell-level handshake mode, it serves as RxCLAV, indicating that there is no cell to be supplied next after the transfer of the current cell is completed.
RCLK	84	O	CMOS	Receive Clock. This is a synchronization clock used to transfer cell data with the PHY cell device at the receive side. The system clock input to the CLK pin is output from this pin as is, immediately after reset.
Tx7-Tx0	95 - 102	O	CMOS	Transmit Data Bus. Tx7 through Tx0 constitute an 8-bit output bus which outputs transmit data in byte format to a PHY device. The μPD98401A outputs data at the rising edge of TCLK.
TSOC	89	O	CMOS	Transmit Start of Cell. The TSOC signal is output in synchronization with the first byte of transmit cell data.

(2/2)

Pin Name	Pin No.	I/O	I/O Level	Function
TENBL_B	90	O	CMOS	Transmit Enable. The TENBL_B signal indicates to a PHY device that data has been output to Tx7 through Tx0 in the current clock cycle. This signal remains high during reset and after reset.
FULL_B/ TxCLAV	88	I	TTL	PHY Buffer Full/Tx Cell Available. The FULL_B signal notifies the μPD98401A that the input buffer of the PHY device is full and that the device can receive no more data. When the UTOPIA interface is in the octet-level handshake mode, the PHY device inputs an inactive level to receive cell of data. In the cell-level handshake mode, this signal indicates that the PHY device can receive all the next one cell of data after the current cell has been completely transferred
TCLK	92	O	CMOS	Transmit Clock. This is a synchronization clock used to transfer cell data with the PHY device at the transmission side. The system clock input to the CLK pin is output from this pin as is.

(2) PHY device control interface

Pin Name	Pin No.	I/O	I/O Level	Function
PHRW_B	109	O	CMOS	PHY Read/Write. The μPD98401A indicates the direction in which the PHY device is controlled, by using PHRW_B. This signal goes low after reset. 1: Read 0: Write
PHOE_B	108	O	CMOS	PHY Output Enable. The μPD98401A enables output from the PHY device by making PHOE_B low
PHCE_B	103	O	CMOS	PHY Chip Enable. The μPD98401A makes PHCE_B low to access a PHY device. This signal goes high after reset.
PHINT_B	107	I	TTL	PHY Interrupt. This is an interrupt input signal from a PHY device. The PHY device indicates to the μPD98401A that it has an interrupt source, by inputting a low level to PHINT_B. This signal goes high after reset.

1.2 Bus Interface Pins

The bus interface is a general-purpose bus interface compatible with most generally used I/O buses (such as PCI, S bus, GIO, and AP bus).

(1/3)

Pin Name	Pin No.	I/O	I/O Level	Function																																				
AD31-AD27 AD26-AD22 AD21-AD17 AD16-AD13 AD12 AD11-AD7 AD6-AD0	3 - 7 9 - 13 16 - 20 22 - 25 28 35 - 39 42 - 48	I/O 3-state	TTL in CMOS out	Address/Data. AD31 through AD0 constitute a 32-bit address/data bus. These pins are I/O pins multiplexing an address bus and a data bus. At the first clock of input/output, AD31 through AD0 transfer an address. They transfer data at the second clock and onward. The AD bus goes into a high-impedance state when the μPD98401A does not access the bus.																																				
PAR3 PAR2 PAR1 PAR0	49 50 54 55	I/O 3-state	TTL in CMOS out	Bus Parity. PAR pins indicate the parity of AD31 through AD0. A parity check mode is set by GMR. Enabling or disabling parity, odd or even parity, and word or byte parity can be specified. If byte parity is specified, PAR3 indicates the parity of AD31 through AD24, and PAR0 indicates the parity of AD7 through AD0. If word parity is specified, PAR3 serves as an input/output pin. It serves as an output pin when an address is output and when data is written, and as an input pin when data is read. When the μPD98401A does not access the bus, PAR3 through PAR0 go into a high-impedance state. Pull up these pins when they are not used.																																				
OE_B	56	I	TTL	Output Enable. When this pin is low, the μPD98401A uses AD31 through AD0 and PAR3 through PAR0 as 3-state I/O pins. These pins go into a high-impedance state while a high level is being input to OE_B. This pin is an option pin. Fix this pin to low level in a system where it is not necessary to forcibly set the bus of the μPD98401A in a high-impedance state by controlling this pin.																																				
SIZE2 SIZE1 SIZE0	57 60 61	O	CMOS	Burst Size. SIZE2 through SIZE0 indicate the size of the current DMA transfer. These pins are used to interface a bus (such as S bus) requiring clear burst size. <table border="1" style="margin-left: auto; margin-right: auto;"> <thead> <tr> <th>SIZE2</th> <th>SIZE1</th> <th>SIZE0</th> <th>Function</th> </tr> </thead> <tbody> <tr> <td>0</td> <td>0</td> <td>0</td> <td>1-word transfer</td> </tr> <tr> <td>0</td> <td>0</td> <td>1</td> <td>2-word burst</td> </tr> <tr> <td>0</td> <td>1</td> <td>0</td> <td>4-word burst</td> </tr> <tr> <td>0</td> <td>1</td> <td>1</td> <td>8-word burst</td> </tr> <tr> <td>1</td> <td>0</td> <td>0</td> <td>16-word burst</td> </tr> <tr> <td>1</td> <td>0</td> <td>1</td> <td>12-word burst</td> </tr> <tr> <td>1</td> <td>1</td> <td>0</td> <td>Undefined</td> </tr> <tr> <td>1</td> <td>1</td> <td>1</td> <td>Reception side byte alignment</td> </tr> </tbody> </table>	SIZE2	SIZE1	SIZE0	Function	0	0	0	1-word transfer	0	0	1	2-word burst	0	1	0	4-word burst	0	1	1	8-word burst	1	0	0	16-word burst	1	0	1	12-word burst	1	1	0	Undefined	1	1	1	Reception side byte alignment
SIZE2	SIZE1	SIZE0	Function																																					
0	0	0	1-word transfer																																					
0	0	1	2-word burst																																					
0	1	0	4-word burst																																					
0	1	1	8-word burst																																					
1	0	0	16-word burst																																					
1	0	1	12-word burst																																					
1	1	0	Undefined																																					
1	1	1	Reception side byte alignment																																					

(2/3)

Pin Name	Pin No.	I/O	I/O Level	Function
DR/W_B	62	O	CMOS	<p>DMA Read/Write.</p> <p>DR/W_B indicates the direction of DMA access.</p> <p>1: Read access 0: Write access</p> <p>This pin is set to 1 after reset.</p>
ATTN_B	63	O	CMOS	<p>Attention/Burst Frame (DMA request).</p> <p>The μPD98401A makes the ATTN_B signal low when it performs a DMA operation. The ATTN_B signal becomes inactive at the rising edge of CLK when the data to be transferred by means of DMA has decreased to 1 word.</p>
GNT_B	64	I	TTL	<p>Grant.</p> <p>The GNT_B signal inputs a low level when the bus arbiter grants the μPD98401A use of the bus in response to a DMA request from the μPD98401A. The μPD98401A recognizes that it has been granted use of the bus and starts DMA operation when the GNT_B signal goes low (active). Make sure that the GNT_B signal falls at least one system clock cycle after the rising of the ATTN_B signal. The GNT_B signal must be returned to the high (inactive) level before the μPD98401A makes the ATTN_B signal low (active) to issue the next DMA cycle request.</p>
RDY_B	65	I	TTL	<p>Target Ready.</p> <p>RDY_B indicates to the μPD98401A in the DMA cycle that the target device is ready for input/output. During the DMA read operation of the μPD98401A, the RDY_B signal is made low if valid data is on AD31 through AD0.</p> <p>During the DMA write operation of the μPD98401A, the RDY_B signal is made low if the target device is ready for receiving data.</p> <p>The sampling timing of the RDY_B and ABRT_B signals of the μPD98401A can be advanced by one clock (early mode) by using an internal register (GMR register).</p>
ABRT_B	66	I	TTL	<p>Abort.</p> <p>ABRT_B is used to abort the DMA transfer cycle. If this signal goes low while data is being transferred in the DMA cycle, DMA transfer is aborted in that cycle, and the ATTN_B signal is briefly deasserted inactive. After that, the μPD98401A asserts the ATTN_B signal active again, and resumes burst transfer from the data at which the DMA transfer was aborted. While a low level is input to ABRT_B, the RDY_B signal is ignored. The user can advance the sampling timing of the RDY_B and ABRT_B signals of the μPD98401A by one clock (early mode) by using an internal register (GMR register). Pull up this pin when it is not used.</p>
ERR_B	67	I	TTL	<p>Error.</p> <p>This pin is used by a device that manages the bus to stop the operation of the μPD98401A when occurrence of an error is detected on the system bus.</p> <p>When a low level is input to this pin, the μPD98401A stops all bus operations, sets the system bus error bit (bit 25) of the GSR register (when not masked), and generates an interrupt. Pull up this pin when it is not used.</p>

Pin Name	Pin No.	I/O	I/O Level	Function
SR/W_B	68	I	TTL	Slave Read/Write. The SR/W_B signal determines the direction in which the slave is accessed. 1: Read access 2: Write access
SEL_B	69	I	TTL	Slave Select. This signal goes low (active) when the μPD98401A is accessed as a slave. The SEL_B signal must go low as soon as or after the ASEL_B signal has gone low. An inactive period of at least 2 system clock cycles must be inserted between when the SEL_B signal has become inactive and when it becomes active again.
ASEL_B	70	I	TTL	Slave Address Select. The ASEL_B signal is used to select the direct address register of the μPD98401A. When a low level is input to ASEL_B, the μPD98401A samples the AD bus at the first rising edge of CLK.
CLK	32	I	TTL	Clock. This pin inputs the system clock. Input a clock in a range of 8 to 33 MHz.
RST_B	29	I	TTL	Reset. The RST_B signal initializes the μPD98401A (on starting, etc.). After reset, the μPD98401A can start normal operation. When a low level is input to RST_B, the internal state machine and registers of the μPD98401A are reset, and all 3-state signals go into a high-impedance state. The reset input is asynchronous. When this signal is input during operation, the operating status at that time is lost. Hold RST_B low at least for the duration of one clock. After reset, do not access the μPD98401A for at least 20 clock cycles.
INTR_B	71	O	Nch open-drain output	Interrupt. This is an open-drain signal and must be pulled up. INTR_B informs the CPU that the interrupt bit (unmasked) of the GSR register is set.

1.3 Bus Monitor Pins

The bus monitor pins indicate the type of data under DMA transfer. These five pins are enabled when the BME bit of the GMR register is set to 1; they go into a high-impedance state when the BME bit is 0.

Pin Name	Pin No.	I/O	I/O Level	Function
DBMD	192	O 3-state	CMOS	<p>DMA Bus Monitor Data.</p> <p>This pin indicates that the payload of an AAL-5 cell is under DMA transfer. This pin is enabled when the BME bit of the GMR register is set to 1, and goes into a high-impedance state when the BME bit is 0. The DBMD signal changes in synchronization with the falling of the ATTN_B signal. The high level of this signal indicates that the payload of an ALL-5 packet transmit/receive cell is under DMA transfer, and low level indicates that the other data is being transferred.</p>
DBML	193	O 3-state	CMOS	<p>DMA Bus Monitor Last.</p> <p>If one-word data currently under DMA transfer satisfies any of the following conditions, this pin goes high in synchronization with output of the data.</p> <ul style="list-style-type: none"> • Last 1 word of last cell of AAL-5 packet • 1-word data to be written to last word of receive buffer • Last 1-word data of last cell of receive packet in which MAX. NUMBER OF SEGMENTS error has occurred <p>When this pin is low, it indicates that the data is other than above. This pin is enabled when the BME bit of the GMR register is set to 1; it goes into a high-impedance state when the bit is 0.</p>
DBMF	194	O 3-state	CMOS	<p>DMA Bus Monitor First.</p> <p>This pin indicates that the data under DMA transfer is the start cell of a receive AAL-5 packet. This pin is enabled when the BME bit of the GMR register is set to 1; it goes into a high-impedance state when the bit is 0. This pin goes high in synchronization with the last word data of the first cell of an AAL-5 packet.</p>
DBMR	206	O 3-state	CMOS	<p>DMA Bus Monitor Remaining.</p> <p>This pin indicates that the number of cells remaining in the transmit buffer is equal to, or has dropped below the value assigned to the RCS register. This pin is enabled when the BME bit of the GMR register is set to 1; it goes into a high-impedance state when the bit is 0.</p>
DBVC	206	O 3-state	CMOS	<p>DMA Bus Monitor VC.</p> <p>This pin indicates that the data currently being transferred by DMA is that of the VC for which the VCP bit in the receive VC table is set to 1. This pin is asserted active in synchronization with the falling of ATTN_B. It is enabled when the BME bit of the GMR register is set to 1, and goes into a high-impedance state when the bit is 0.</p>

1.4 Control Memory Interface Pins

These pins constitute an interface through which the μPD98401A accesses an external control memory and a PHY device. A 18-bit address bus and a 32-bit data bus are used. The control memory of the host is accessed only via this interface.

Pin Name	Pin No.	I/O	I/O Level	Function
CD31-CD28 CD27-CD21 CD20-CD16 CD15-CD7 CD6-CD0	110-113 116-122 125-129 132-140 143-149	I/O 3-state	TTL in, CMOS out	Control Memory Data. CD31 through CD0 are 3-state I/O pins and constitute a 32-bit data bus which is used to transfer data with the control memory or a PHY device.
CPAR3- CPAR0	151-154	I/O	TTL in, CMOS out	Control Memory Parity. CPAR3 through CPAR0 indicate the parity of CD31 through CD0 in 8-bit units. In the read cycle, the μPD98401A checks the parity (when enabled). In the write cycle, CPAR3 through CPAR0 output the parity. Pull up these pins when they are not used.
CA17-C11 CA10-CA4 CA3-CA0	158-164 167-173 176-179	O	CMOS	Control Memory Address. CA17 through CA0 constitute an 18-bit address bus. They output an address to the control memory or a PHY device during read/write operation.
CWE_B	186	O	CMOS	Control Memory Write Enable. CWE_B signal indicates the direction in which the control memory is accessed. 1: Read access 2: Write access
COE_B	187	O	CMOS	Control Memory Output Enable COE_B enables or disables data output of the control memory.
CBE_B3 CBE_B2 CBE_B1 CBE_B0	180 181 184 185	O	CMOS	Local Port Byte Enable. CBE_B3 through CBE_B0 indicate the byte on the control port to be read or written.
INITD	188	I	TTL	Initialization Disable. The INITD signal is used to disable automatic initialization of the control memory during chip test. During normal operation other than test, directly connect INITD to GND.

1.5 JTAG Boundary Scan Pins

Pin Name	Pin No.	I/O	I/O Level	Function
JDI	201	I	TTL	JTAG Test Data Input. The JDI pin is used to input data to the JTAG boundary scan circuit register. Normally, fix this pin to high or low level.
JDO	200	O 3-state	CMOS	JTAG Test Data Output. The JDO pin is used to output data from the JTAG boundary scan circuit register. It changes output at the falling edge of the clock input to the JCK pin. Normally, leave this pin open.
JCK	197	I	TTL	JTAG Test Clock. This pin is used to supply a clock to the JTAG boundary scan circuit register. Normally, fix this pin to a high or low level.
JMS	202	I	TTL	JTAG Test Mode Select. Normally, fix this pin to a high or low level.
JRST_B	203	I	TTL	JTAG Test Reset. This pin initializes the JTAG boundary scan circuit register. Normally, fix this pin to a low level.

1.6 Test Pin

Pin Name	Pin No.	I/O	I/O Level	Function
TRF_B	189	I	TTL	This pin is used to test the internal circuitry of the chip. 0: Normal operation 1: Test Normally, directly connect this pin to ground and fix it to a low level.

1.7 Power Supply and Ground Pins

Pin Name	Pin No.	I/O	Function
V _{DD}	15, 27, 30, 34, 41, 53, 58, 72, 78, 94, 104, 114, 124, 130, 142, 157, 165, 174, 183, 190, 195, 198, 204, 208	—	Power supply (24 pins) These 24 V _{DD} pins supply a voltage of +5 V ± 5% to the chip.
GND	1, 2, 8, 14, 21, 26, 31, 33, 40, 51, 52, 59, 73, 79, 91, 93, 105, 106, 115, 123, 131, 141, 150, 155, 156, 166, 175, 182, 191, 196, 199, 205	—	Ground (32 pins) Connect these pins to ground.

1.8 Pin Status During and After Reset

Pin	During Reset	After Reset
AD0-AD31	Hi-Z (input mode)	Hi-Z (input mode)
PAR0-PAR3	Hi-Z (input mode)	Hi-Z (input mode)
SIZE0-SIZE2	0	0
DR/W_B	1	1
ATTN_B	1	1
INTR_B	1 (however, pulled up)	1 (however, pulled up)
CA17-CA0	0	0
CD0-CD31	All 0 (output mode)	All 0 (output mode)
CWE_B	1	1
COE_B	1	1 (repetition of high/low)
CBE_B3-CBE_B0	All 1	All 1
PHRW_B	0	0
PHOE_B	1	1
PHCE_B	1	1
RCLK	CLK output	CLK output
RENBL_B	1	0
Tx0-Tx7	All 0	All 0
TCLK	CLK output	CLK output
TENBL_B	1	1
TSOC	0	0
JDO	Hi-Z (3-state)	Hi-Z (3-state)
DBMD	Hi-Z	Hi-Z
DBML	Hi-Z	Hi-Z
DBMF	Hi-Z	Hi-Z
DBMR	Hi-Z	Hi-Z
DBVC	Hi-Z	Hi-Z

★

2. DIFFERENCES FROM μ PD98401

2.1 Additional Functions

The μ PD98401A is compatible with the μ PD98401 in terms of hardware and software.

However, the μ PD98401A has the following additional functions as compared with the μ PD98401. All the additional functions are enabled by the setting of the GMR register.

- (1) DMA 12-word burst cycle
- (2) Byte alignment transfer function of receive data buffer
- (3) Bus monitor pin
- (4) Mode to insert idle cell for transmission rate adjustment
- ★ (5) New scheduling function Aggregate mode
- (6) Receive packet size indication (cell units/Length mode added)
- (7) Cell-level support of UTOPIA interface
- (8) AAL-3/4 traffic assist function
- (9) JTAG boundary scan support

2.2 Differences from μ PD98401 (NEASCOT-S10™)

(1) Increased receive FIFO size

μ PD98401 : 10 cells

μ PD98401A : 23 cells

(2) Cell processing of PTI field (1xx)

μ PD98401 : Receives cells other than those of OAM F5 pattern (101, 100) as user data cells.

μ PD98401A : Processes as raw cell of 1xx pattern. Stores in pool 0.

(3) Changing transmission mode of unassigned cell

The μ PD98401 starts transmitting unassigned cells immediately after power application and continues transmitting the unassigned cells while there is no active transmission VC. It also has a function to stop transmitting unassigned cells while there is not an active VC, by using the UCE bit of the GMR register.

The μ PD98401A deletes this UCE bit function, makes the TENBL_B signal inactive on power application and when there is no active VC, and does not transmit unassigned cells. The μ PD98401A transmits unassigned cells only when there is an active VC and when the unassigned cell generator function is enabled.

3. ELECTRICAL SPECIFICATIONS

An asterisk (*) mark indicates portion which have been revised from μPD98401.

Absolute Maximum Ratings

Parameter	Symbol	Condition	Ratings	Unit
Supply voltage	V _{DD}		-0.5 to +6.5	V
Input voltage	V _I		-0.5 to V _{DD} +0.5	V
* Output current	I _{O1} ^{Note 1}		24	mA
*	I _{O2} ^{Note 2}		36	mA
★ * Operating ambient temperature	T _A		0 to +80	°C
Storage temperature	T _{stg}		-65 to +150	°C

Caution If any of the parameters exceeds the absolute maximum ratings, even momentarily, the quality of the product may be impaired. The absolute maximum ratings are values that may physically damage the product(s). Be sure to use the product(s) within the ratings.

★ *DC Characteristics (T_A = 0 to +80 °C, V_{DD} = 5 V ± 5 %)

Parameter	Symbol	Condition	MIN.	TYP.	MAX.	Unit
Low level input voltage	V _{IL}		-0.5		+0.8	V
High level input voltage	V _{IH1}	Except pins RST_B or CLK	+2.2		V _{DD} + 0.5	V
	V _{IH2}	Pins RST_B or CLK	+3.3		V _{DD} + 0.5	V
High level output voltage	V _{OH1} ^{Note 1}	I _{OH} = -4.0 mA	V _{DD} × 0.7			V
	V _{OH2} ^{Note 2}	I _{OH} = -6.0 mA	V _{DD} × 0.7			V
Low level output voltage	V _{OL1} ^{Note 1}	I _{OL} = 8.0 mA			0.4	V
	V _{OL2} ^{Note 2}	I _{OL} = 12.0 mA			0.4	V
Supply current	I _{DD}	Normal operation		350	500	mA
Input leakage current	I _{LI}	V _I = V _{DD} or GND	-10		+10	μA
Output leakage current	I _{OZ}	V _O = V _{DD} or GND	-10		+10	μA

Notes 1. I_{O1}, V_{OH1} and V_{OL1} apply to the following pins:

CD31 - CD0, CPAR3 - CPAR0, CA17 - CA0, CBE_B3 - CBE_B0, CWE_B, COE_B, RCLK, RENBL_B, TSOC, TENBL_B, TCLK, Tx7 - Tx0, PHCE_B, PHOE_B, PHRW_B, JDO

2. I_{O2}, V_{OH2} and V_{OL2} apply to the following pins:

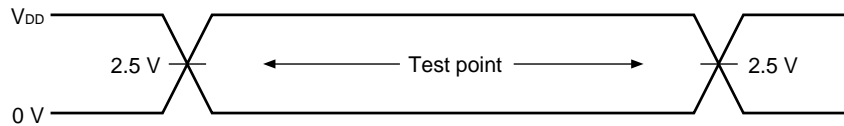
AD31 - AD0, PAR3 - PAR0, SIZE2 - SIZE0, DR/W, ATTN_B, INTR_B, DBMD, DBML, DBMF, DBMR, DBVC

Capacitance (T_A = 25 °C, V_{DD} = 0 V, f = 1 MHz)

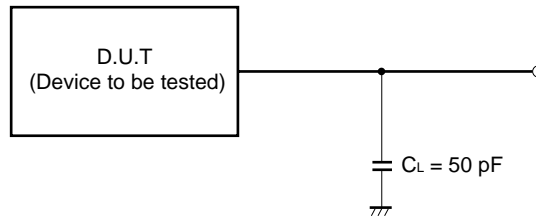
Parameter	Symbol	Condition	MIN.	TYP.	MAX.	Unit
Output capacitance	C _o	f = 1 MHz		7	10	pF
Input capacitance	C _i	f = 1 MHz		7	10	pF
I/O capacitance	C _{io}	f = 1 MHz		7	10	pF

AC Characteristics (T_A = 0 to +80 °C, V_{DD} = 5 V ±5 %)

AC Test Condition

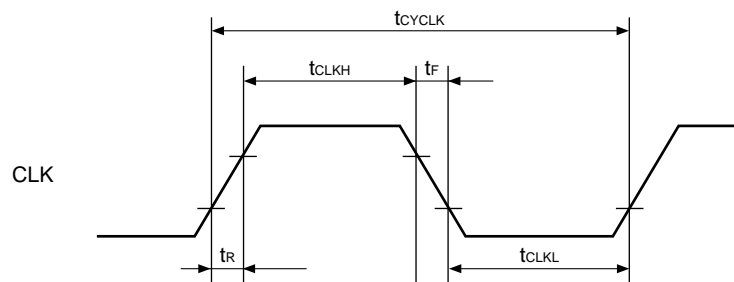


★ ***Load Condition**



CLK Input

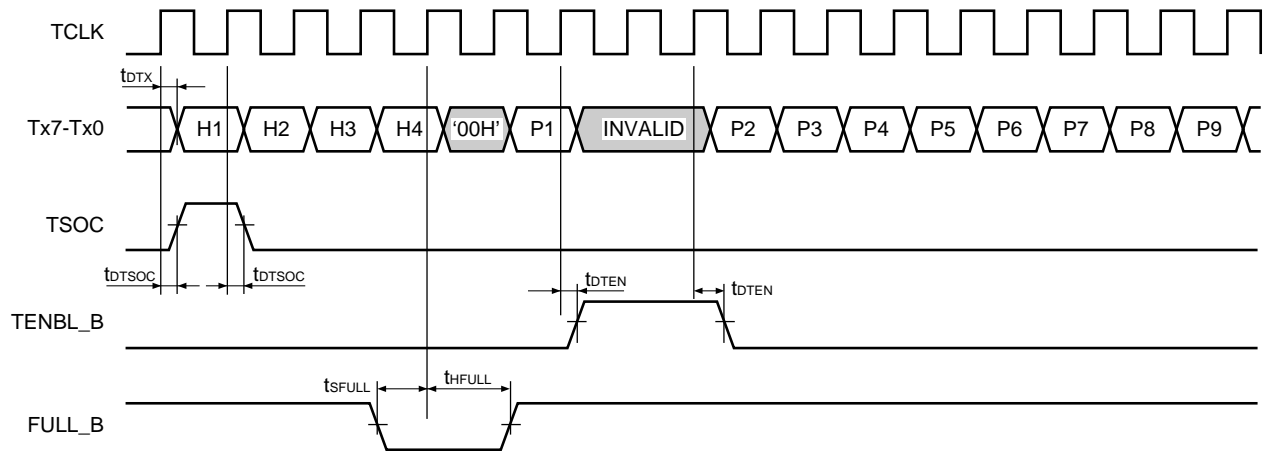
Parameter	Symbol	Condition	MIN.	TYP.	MAX.	Unit
CLK cycle time	t _{CYCLK}		30		125	ns
* CLK high level width	t _{CLKH}		11			ns
* CLK low level width	t _{CLKL}		11			ns
* CLK rise time	t _r				4	ns
* CLK fall time	t _f				4	ns



PHY Interface (1/2)

(1) Transmission operation

Parameter	Symbol	Condition	MIN.	TYP.	MAX.	Unit
TCLK↑→Tx delay time	t _{DTX}		3		18	ns
TCLK↑→TSOC delay time	t _{DTSOC}		3		18	ns
TCLK↑→TEMBL_B delay time	t _{DTEN}		3		18	ns
* FULL_B setup time	t _{SFULL}		8			ns
FULL_B hold time	t _{HFULL}		1			ns

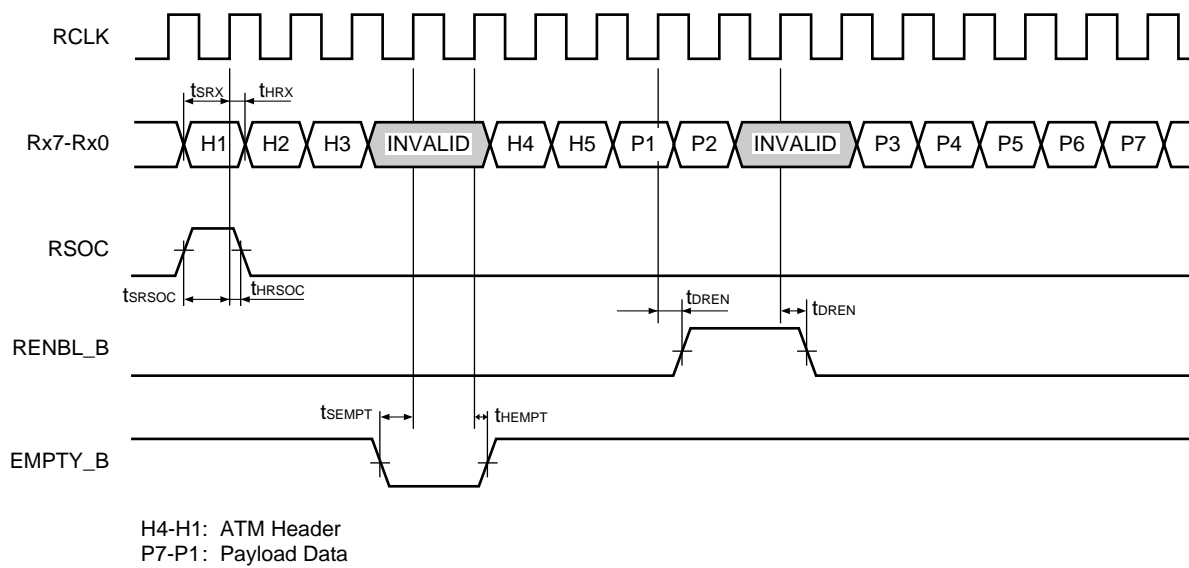


H4-H1: ATM Header
 P9-P1: Payload Data

PHY Interface (2/2)

(2) Reception operation

Parameter	Symbol	Condition	MIN.	TYP.	MAX.	Unit
* Rx setup time	t _{SRX}		8			ns
Rx hold time	t _{HRX}		1			ns
* RSOC setup time	t _{SRSOC}		8			ns
RSOC hold time	t _{HRSOC}		1			ns
RCLK ↑ → RENBL_B delay time	t _{DREN}		3		18	ns
* EMPTY_B setup time	t _{SEMP}		8			ns
EMPTY_B hold time	t _{HEMP}		1			ns

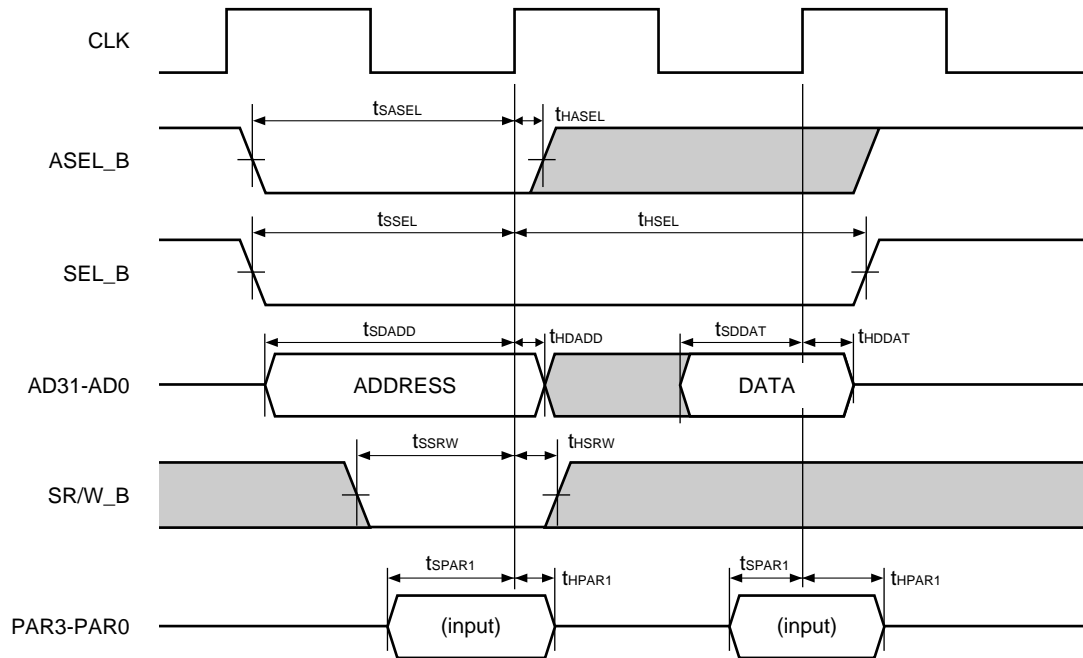


Host Slave Access (1/2)

(1) Write

Parameter	Symbol	Condition	MIN.	TYP.	MAX.	Unit
ASEL_B setup time	t_{SASEL}		8			ns
ASEL_B hold time	t_{HASEL}		3			ns
SEL_B setup time	t_{SSEL}		8			ns
SEL_B hold time	t_{HSEL}		$1t_{CYCLK}+3$			ns
Address setup time	t_{SDADD}		8			ns
Address hold time	t_{HDADD}		3			ns
Data setup time	t_{SDDAT}		8			ns
Data hold time	t_{HDDAT}		3			ns
PAR setup time	t_{SPAR1}		8			ns
PAR hold time	t_{HPAR1}		3			ns
SR/W_B setup time	t_{SSRW}		8			ns
SR/W_B hold time	t_{HSRW}		3			ns

Write timing

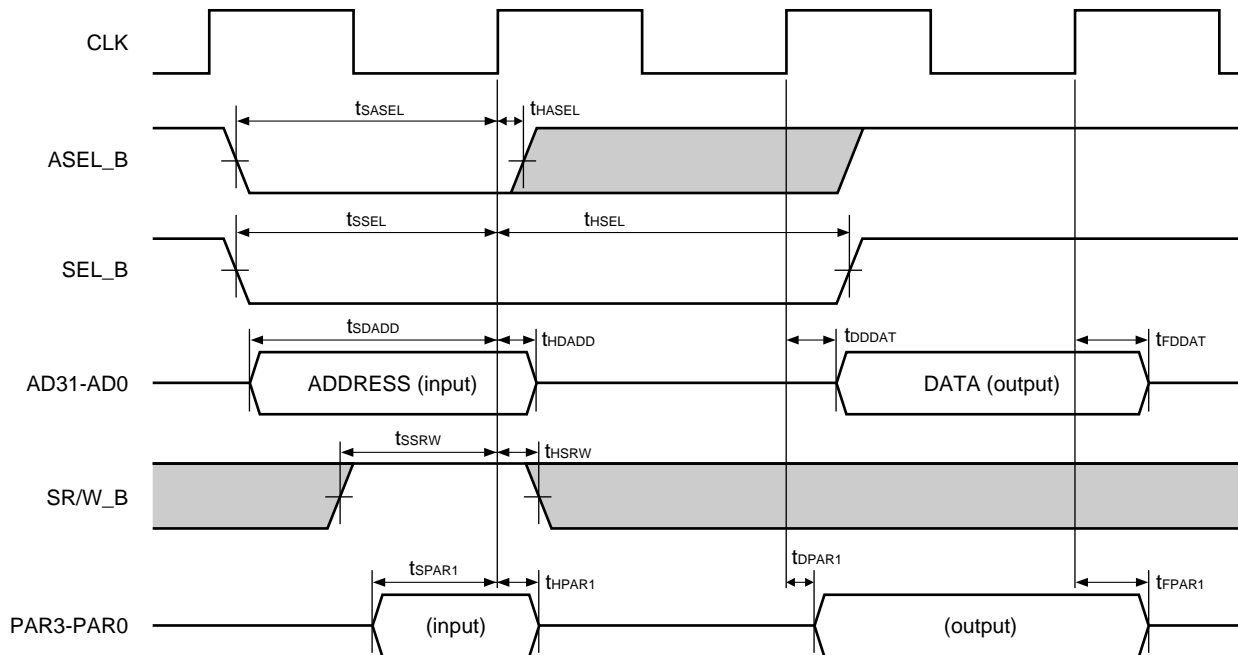


Host Slave Access (2/2)

(2) Read

Parameter	Symbol	Condition	MIN.	TYP.	MAX.	Unit
ASEL_B setup time	t _{SASEL}		8			ns
ASEL_B hold time	t _{HASEL}		3			ns
SEL_B setup time	t _{SSEL}		8			ns
SEL_B hold time	t _{HSEL}		1t _{cyCLK} +3			ns
Address setup time	t _{SDADD}		8			ns
Address hold time	t _{HDADD}		3			ns
* CLK↑→data delay time	t _{DDDAT}				20	ns
CLK↑→data floating time	t _{FDAT}		3		18	ns
PAR setup time	t _{SPAR1}		8			ns
PAR hold time	t _{HPAR1}		3			ns
* CLK↑→PAR delay time	t _{DPAR1}				20	ns
CLK↑→PAR floating time	t _{FPAR1}		3		18	ns
SR/W_B setup time	t _{SSRW}		8			ns
SR/W_B hold time	t _{HSRW}		3			ns

Read timing

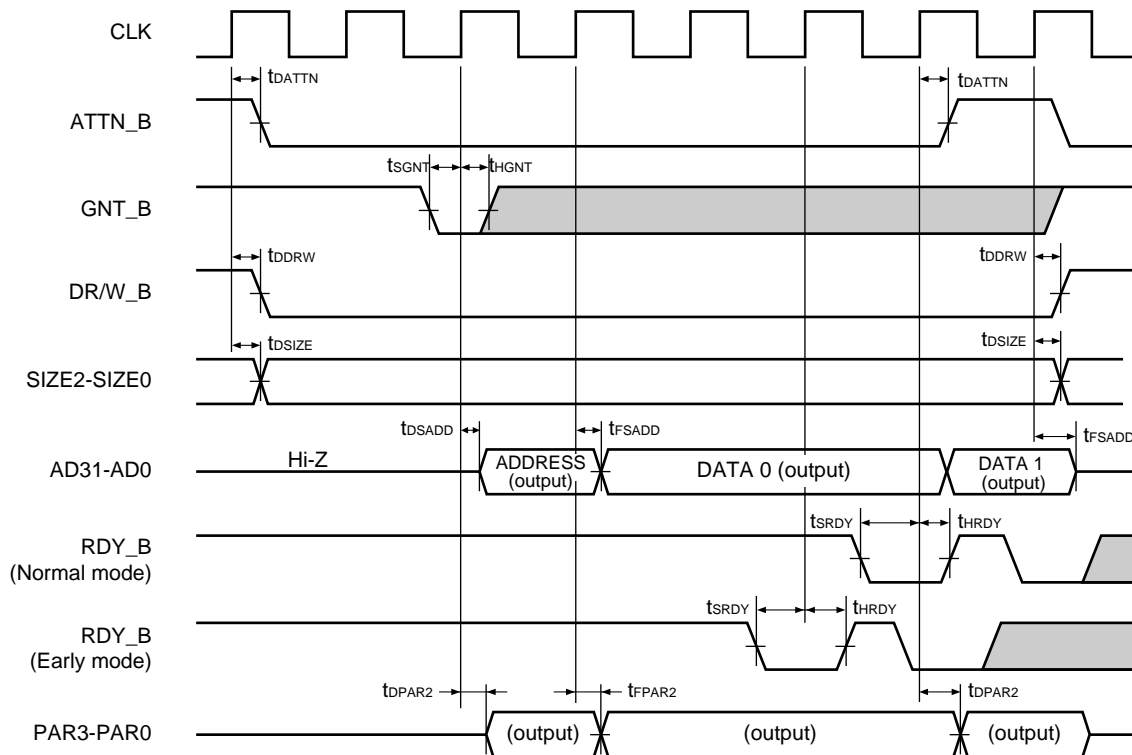


DMA Access (1/2)

(1) Write

Parameter	Symbol	Condition	MIN.	TYP.	MAX.	Unit
CLK↑→ATTN_B delay time	tDATTN				18	ns
GNT_B setup time	tSGNT		8			ns
GNT_B hold time	tHGNT		3			ns
CLK↑→DR/W_B delay time	tDDRW		3		18	ns
CLK↑→SIZE delay time	tDSIZE		3		18	ns
* CLK↑→address delay time	tDSADD				20	ns
CLK↑→address/data floating time	tFSADD		3		18	ns
* CLK↑→PAR delay time	tDPAR2				20	ns
CLK↑→PAR floating time	tFPAR2		3		18	ns
* RDY_B setup time	tSRDY		8			ns
RDY_B hold time	tHRDY		3			ns

Write timing (Example: 2 word burst)

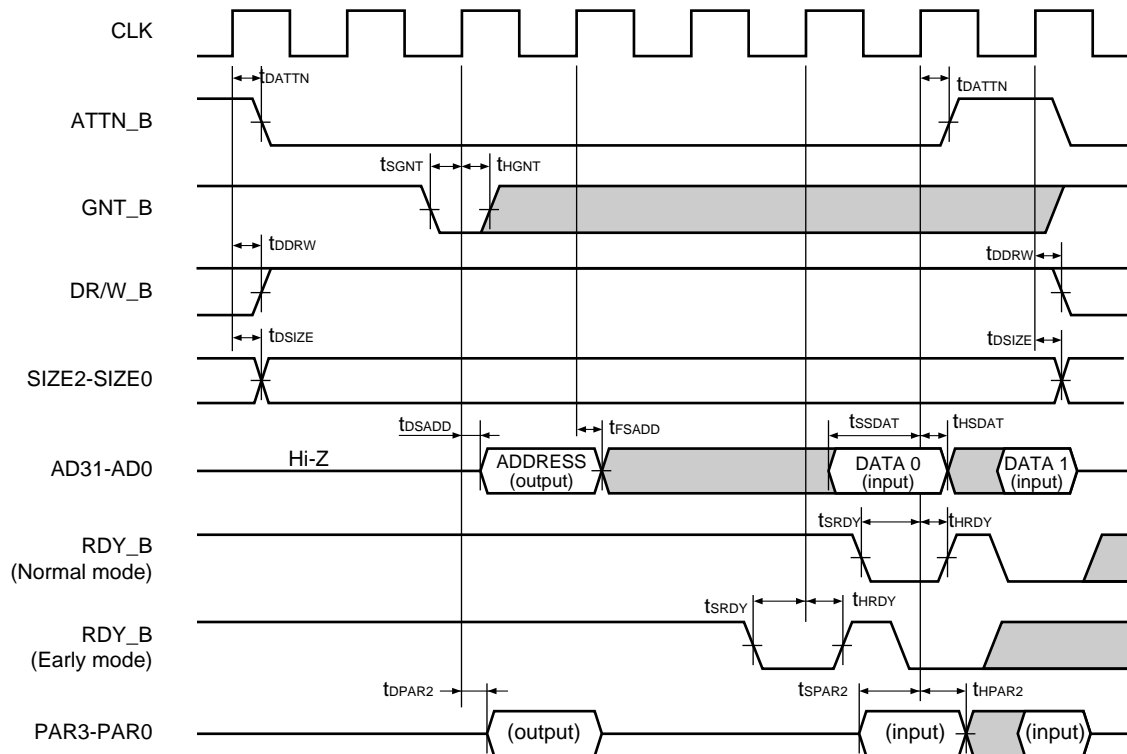


DMA Access (2/2)

(2) Read

Parameter	Symbol	Condition	MIN.	TYP.	MAX.	Unit
CLK↑→ATTN B_delay time	tDATTN				18	ns
GNT_B setup time	tSGNT		8			ns
GNT_B hold time	tHGNT		3			ns
CLK↑→DR/W_B delay time	tDDRW		3		18	ns
CLK↑→SIZE delay time	tDSIZE		3		18	ns
* CLK↑→address delay time	tDSADD				20	ns
CLK↑→address/data floating time	tFSADD		3		18	ns
* CLK↑→PAR delay time	tDPAR2				20	ns
* RDY_B setup time	tSRDY		8			ns
RDY_B hold time	tHRDY		3			ns
Data setup time	tSSDAT		8			ns
Data hold time	tHSDAT		3			ns
PAR setup time	tSPAR2		8			ns
PAR hold time	tHPAR2		3			ns

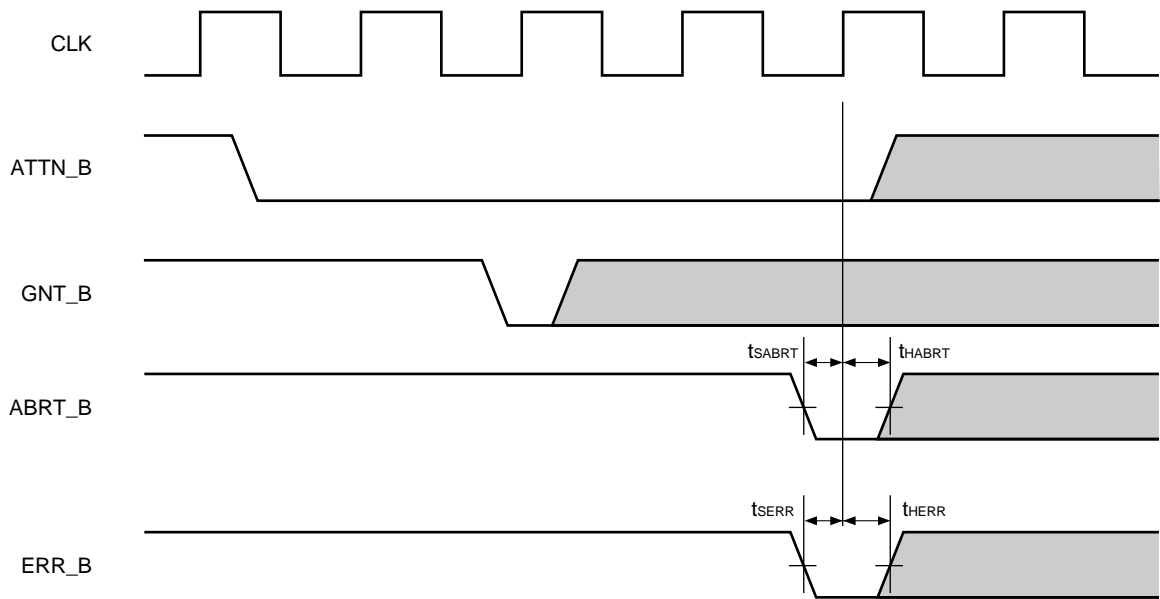
Read timing (Example: 2 word burst)



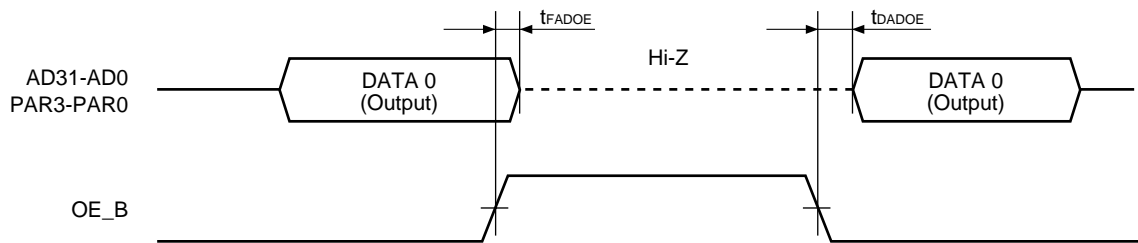
Signals ABRT_B, ERR_B, and OE_B

Parameter	Symbol	Condition	MIN.	TYP.	MAX.	Unit
* ABRT_B setup time	t_{SABRT}		8			ns
ABRT_B hold time	t_{HABRT}		3			ns
* ERR_B setup time	t_{SERR}		8			ns
ERR_B hold time	t_{HERR}		3			ns
* OE_B ↓ → AD, PAR output definition time	t_{DADOE}				18	ns
* OE_B ↑ → AD, PAR Hi-Z definition time	t_{FADOE}				18	ns

DMA abort/ERR B timing



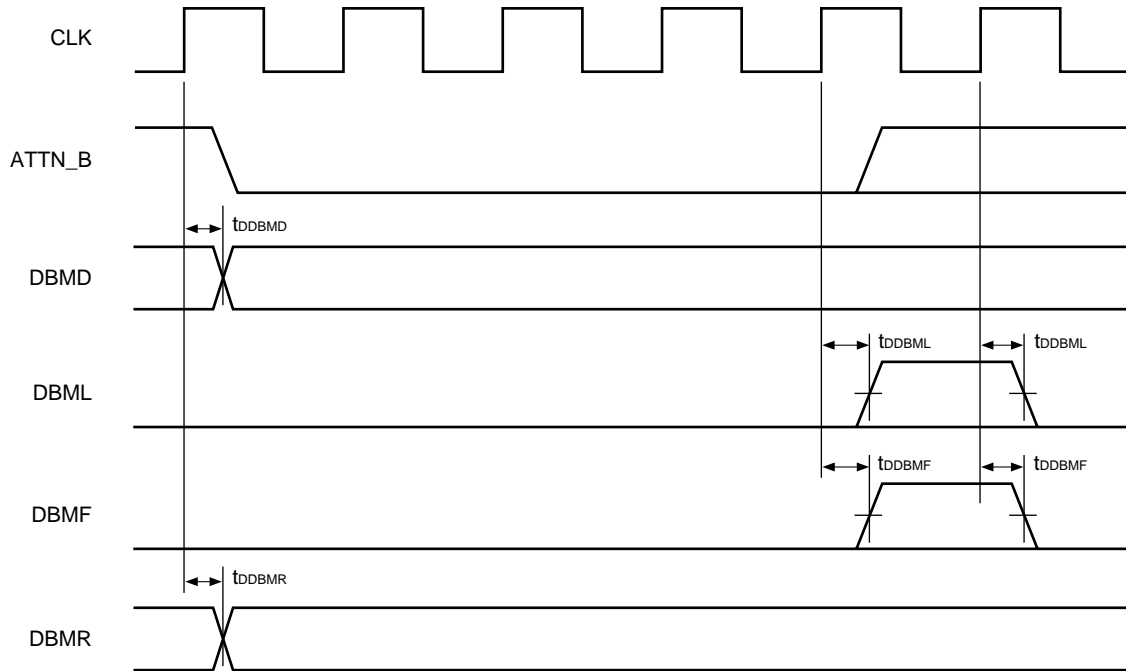
OE_B timing



Bus Monitoring Signal

Parameter	Symbol	Condition	MIN.	TYP.	MAX.	Unit
* CLK↑→DBMD delay time	t _{DBMD}				18	ns
* CLK↑→DBML delay time	t _{DBML}				19	ns
* CLK↑→DBMF delay time	t _{DBMF}				19	ns
* CLK↑→DBMR delay time	t _{DBMR}				18	ns

Bus monitoring signal timing

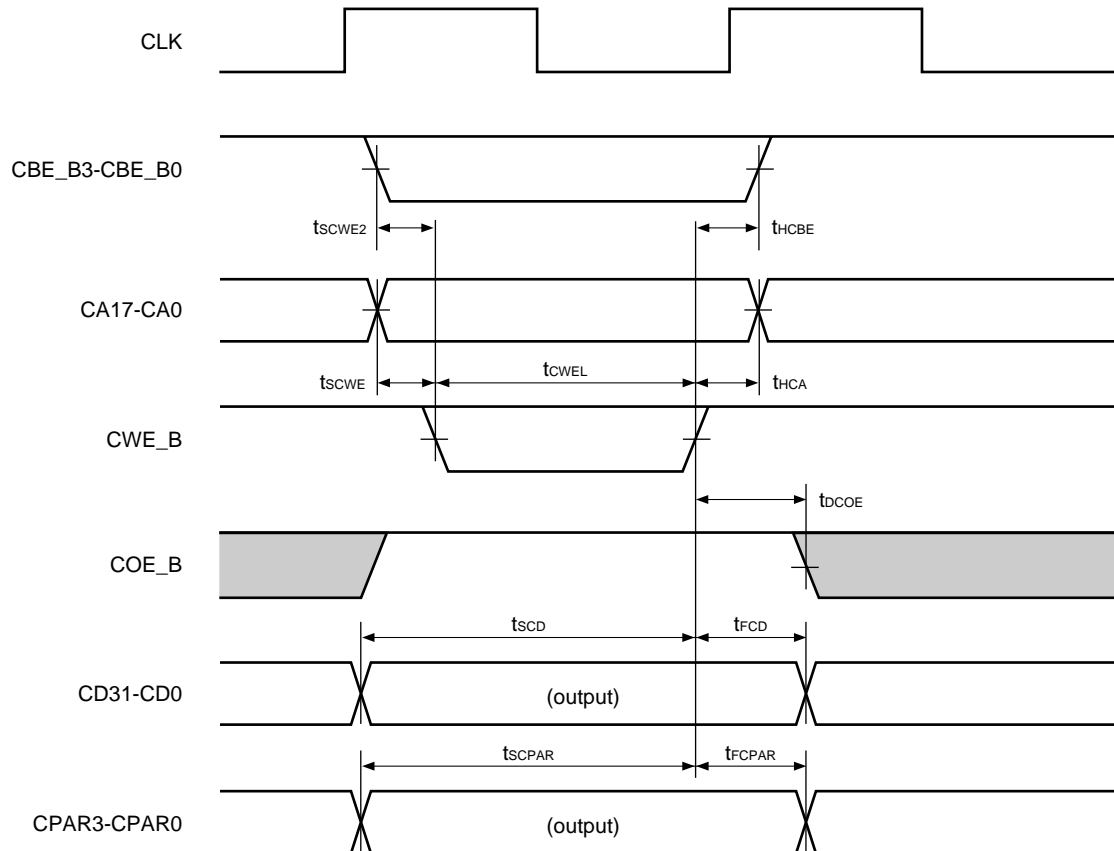


Control Memory Access (1/2)

(1) Write

Parameter	Symbol	Condition	MIN.	TYP.	MAX.	Unit
* CA→CWE_B↓ setup time	t _{SCWE}		0			ns
* CBE_B→CWE_B↓ setup time	t _{SCWE2}		0			ns
* CWE_B low level width	t _{CWEL}		1t _{CLKH} -2			ns
* CWE_B↑→CD floating time	t _{FCD}		0		1t _{CLKL} +10	ns
* CWE_B↑→COE_B delay time	t _{DCOE}		0			ns
* CA hold time (vs. CWE_B↑)	t _{HCA}		0			ns
CBE_B hold time (vs. CWE_B↑)	t _{HCBE}		0			ns
CD output time (vs. CWE_B↑)	t _{SCD}		8			ns
CWE_B↑→CPAR floating time	t _{FPCPAR}		0		1t _{CLKL} +10	ns
CPAR output time (vs. CWE_B↑)	t _{SCPAR}		8			ns

Write timing

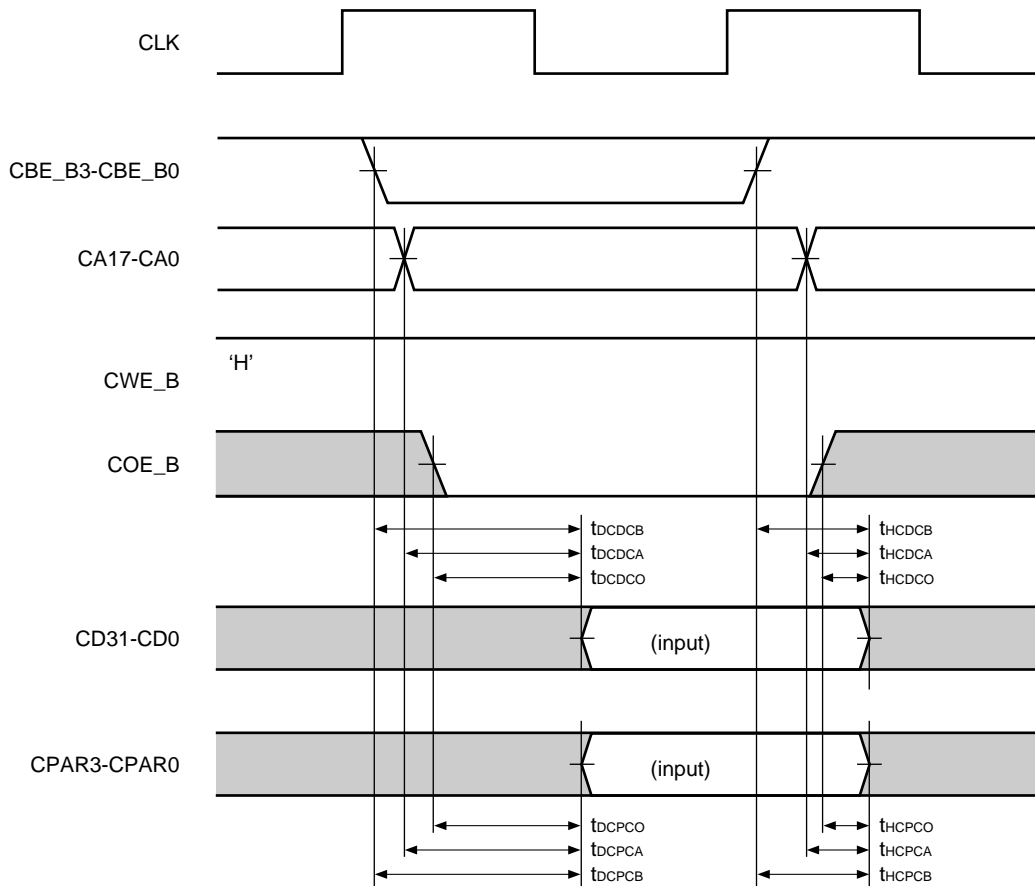


Control Memory Access (2/2)

(2) Read

Parameter	Symbol	Condition	MIN.	TYP.	MAX.	Unit
* CD delay enable time (vs. CBE_B↓)	t _{DCDCB}				1t _{CLK} -15	ns
* CD delay enable time (vs. CA)	t _{DCDCA}				1t _{CLK} -15	ns
* CD delay enable time (vs. COE_B↓)	t _{DCDCO}				1t _{CLK} -15	ns
* CD hold time (vs. CBE_B↑)	t _{HCDCB}		0			ns
* CD hold time (vs. CA)	t _{HCDCA}		0			ns
* CD hold time (vs. COE_B↑)	t _{HCDCO}		0			ns
* CPAR hold enable time (vs. CBE_B↓)	t _{DCPCB}				1t _{CLK} -15	ns
* CPAR hold enable time (vs. CA)	t _{DCPCA}				1t _{CLK} -15	ns
* CPAR hold enable time (vs. COE_B↓)	t _{DCPCO}				1t _{CLK} -15	ns
* CPAR hold time (vs. CBE_B↑)	t _{HCPCB}		0			ns
* CPAR hold time (vs. CA)	t _{HCPCA}		0			ns
* CPAR hold time (vs. COE_B↑)	t _{HCPCO}		0			ns

Read timing

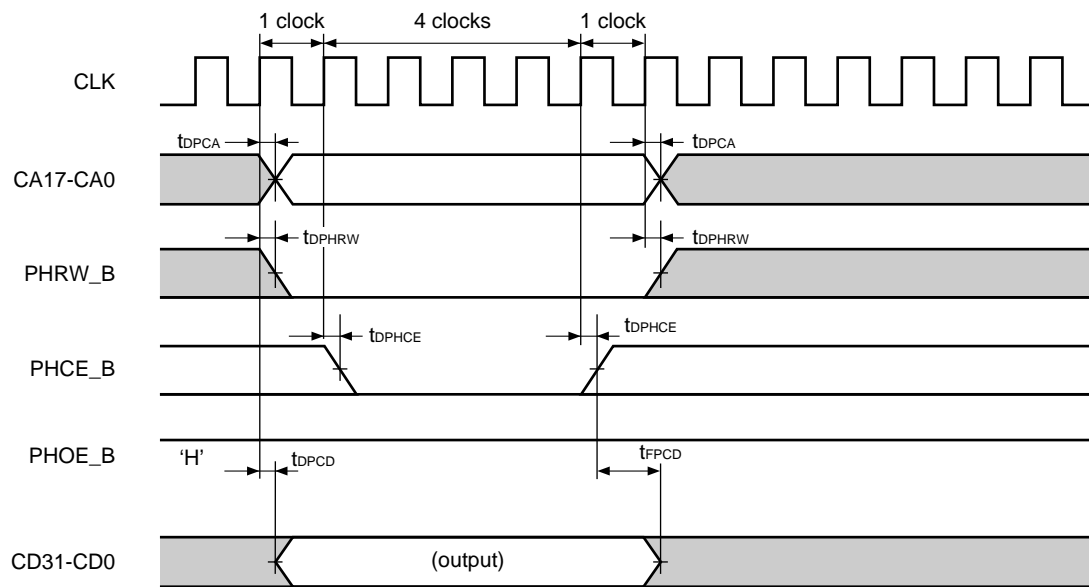


PHY Status Access (1/2)

(1) Write

Parameter	Symbol	Condition	MIN.	TYP.	MAX.	Unit
CLK↑→CA delay time	tDPCA				20	ns
* CLK↑→PHRW_B delay time	tDPHRW				20	ns
* CLK↑→PHCE_B delay time	tDPHCE				20	ns
CLK↑→CD delay time	tDPCD				20	ns
PHCE_B ↑→ CD floating time	tFPCD		1t _{CLK} -10		1t _{CLK} +10	ns

Write timing

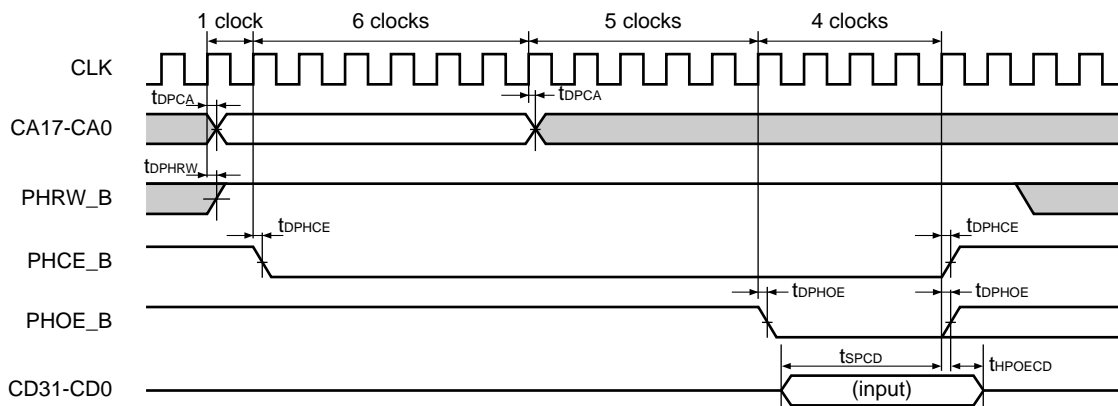


PHY Status Access (2/2)

(2) Read

Parameter	Symbol	Condition	MIN.	TYP.	MAX.	Unit
CD setup time	tSPCD		0			ns
CD hold time	tHPOECD		0			ns
CLK↑→CA delay time	tDPCA				20	ns
* CLK↑→PHRW_B delay time	tDPHRW				20	ns
* CLK↑→PHCE_B delay time	tDPHCE				20	ns
* CLK↑→PHOE_B delay time	tDPHOE				20	ns

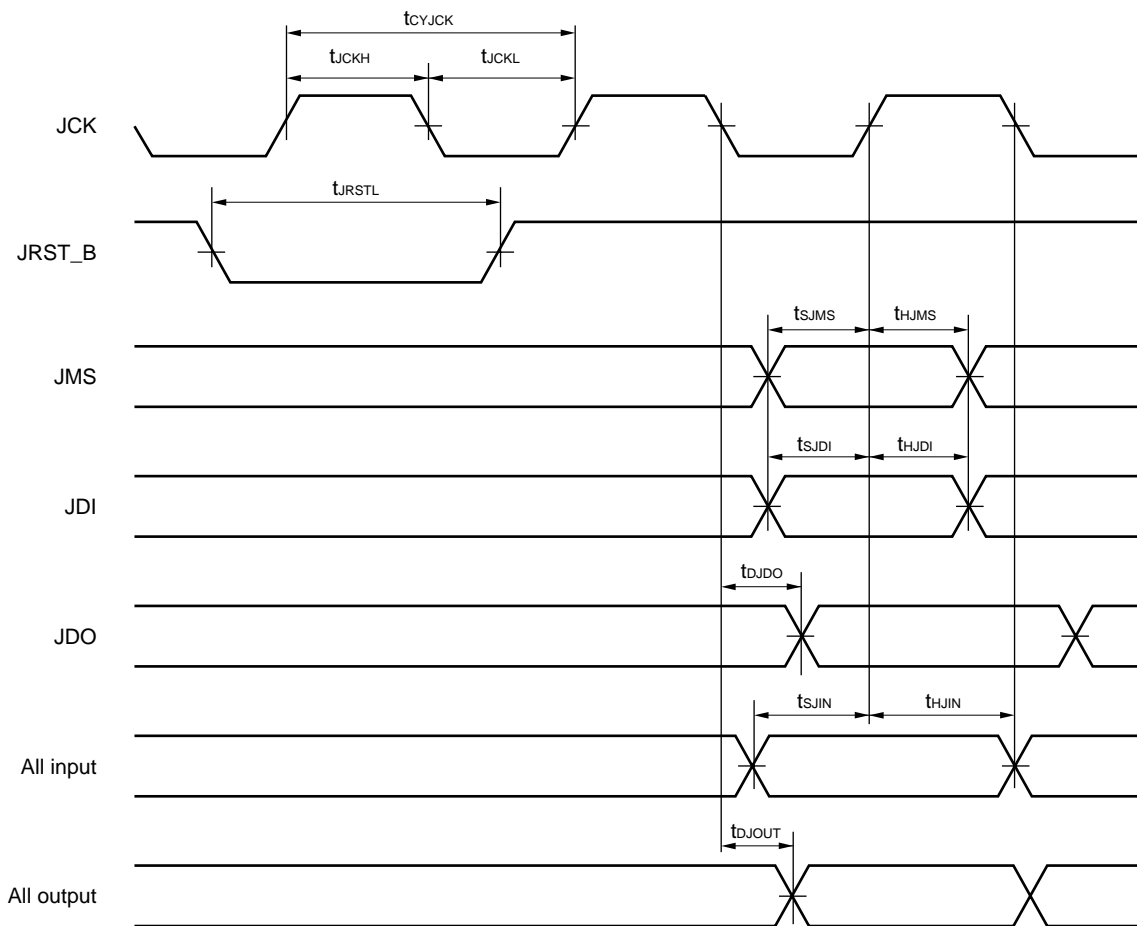
Read timing



★ JTAG Boundary Scan

Parameter	Symbol	Condition	MIN.	TYP.	MAX.	Unit
JCK cycle time	t_{CYJCK}		100			ns
JCK high-level width	t_{JCKH}		40			ns
JCK low-level width	t_{JCKL}		40			ns
JMS setup time	t_{SJMS}		10			ns
JMS hold time	t_{HJMS}		10			ns
JDI setup time	t_{SJDI}		10			ns
JDI hold time	t_{HJDI}		10			ns
Capture_DR data input setup time	t_{SJIN}		15			ns
* Capture_DR data input hold time	t_{HJIN}		15			ns
* JCK↓→Up Date_DR output delay time	t_{DJOUT}				25	ns
JCK↓→JDO delay time	t_{DJDO}				20	ns
JRST_B low-level width	t_{JRSTL}		$1t_{CYJCK}$			ns

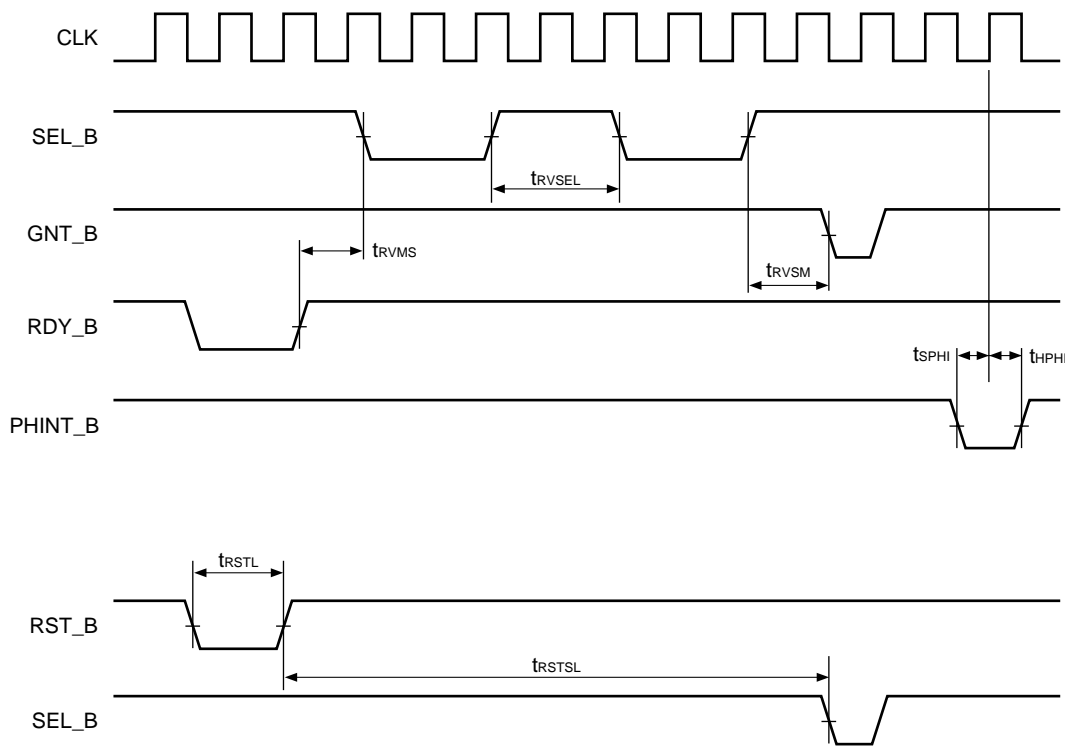
JTAG boundary scan timing



Others

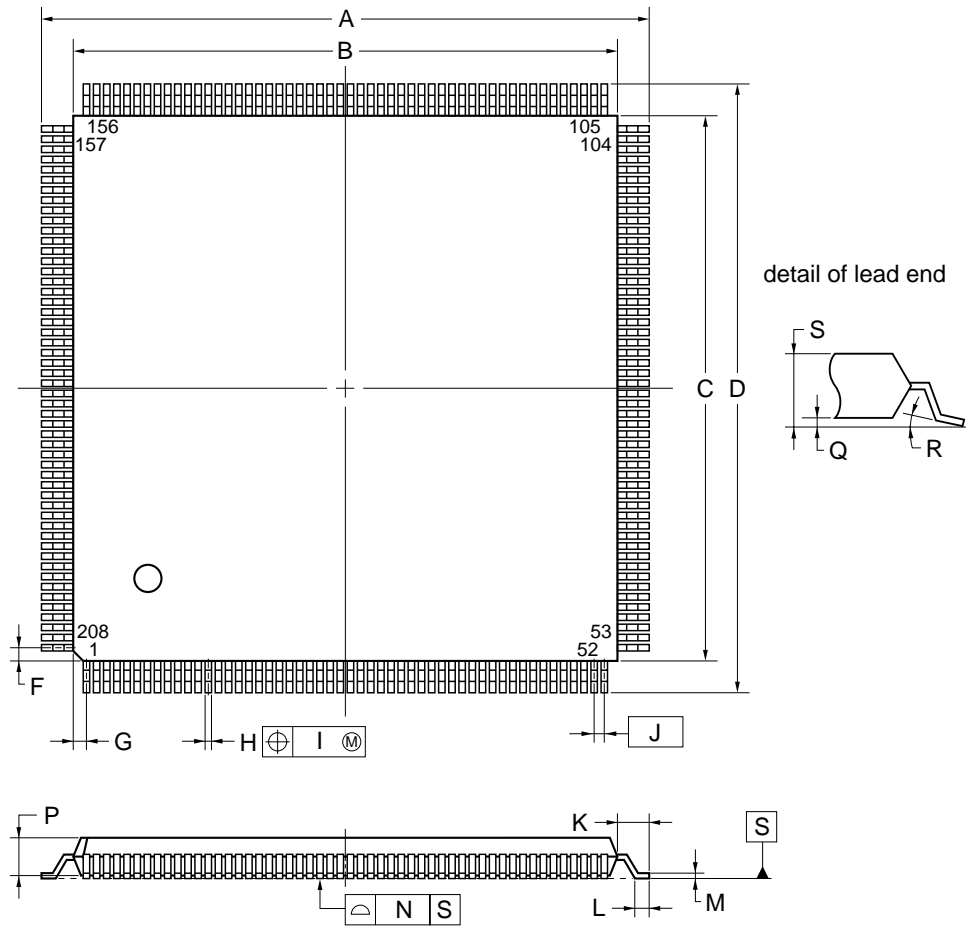
Parameter	Symbol	Condition	MIN.	TYP.	MAX.	Unit
SEL_B recovery time	t_{RVSEL}		2			t_{CYCLK}
SEL_B↑→GNT_B↓ recovery time	t_{RVSM}		1			t_{CYCLK}
RDY_B↑→SEL_B↓ recovery time	t_{RVMS}	RDY_B mode in normal operation	1			t_{CYCLK}
PHINT_B setup time	t_{SPHI}		8			ns
PHINT_B hold time	t_{HPHI}		1			ns
RST_B input pulse width	t_{RSTL}		1			t_{CYCLK}
RST_B↑→SEL_B↓ recovery time	t_{RSTSL}		20			t_{CYCLK}

Other timing



4. PACKAGE DRAWINGS

208-PIN PLASTIC QFP (FINE PITCH) (28x28)



NOTE
 Each lead centerline is located within 0.10 mm of its true position (T.P.) at maximum material condition.

ITEM	MILLIMETERS
A	30.6±0.2
B	28.0±0.2
C	28.0±0.2
D	30.6±0.2
F	1.25
G	1.25
H	0.22 ^{+0.05} _{-0.04}
I	0.10
J	0.5 (T.P.)
K	1.3±0.2
L	0.5±0.2
M	0.17 ^{+0.03} _{-0.07}
N	0.10
P	3.2±0.1
Q	0.4±0.1
R	5°±5°
S	3.8 MAX.

P208GD-50-LML, MML, SML-6

5. RECOMMENDED SOLDERING CONDITIONS

Solder the product under the following recommended conditions.

For details of the recommended soldering conditions, refer to Information Document **Semiconductor Device Mounting Technology Manual (C10535E)**.

For soldering methods and soldering conditions other than those recommended, consult NEC.

Surface Mount Type

μPD98401AGD-MML: 208-pin plastic QFP (Fine pitch) (28 x 28 mm)

Soldering Method	Soldering Conditions	Symbol of Recommended Condition
Infrared reflow	Package peak temperature: 235 °C, Time: 30 seconds max. (210 °C min.), Number of times: 2 max., Number of days: 7 ^{Note} (Afterwards, prebaking is necessary at 125 °C for 36 hours.)	IR35-367-2
Partial heating	Pin temperature: 300 °C max., Time: 3 seconds max. (per side of device)	–

Note The number of days during which the product can be stored at 25 °C, 65 % RH max. after the dry pack has been opened.

NOTES FOR CMOS DEVICES

① PRECAUTION AGAINST ESD FOR SEMICONDUCTORS

Note: Strong electric field, when exposed to a MOS device, can cause destruction of the gate oxide and ultimately degrade the device operation. Steps must be taken to stop generation of static electricity as much as possible, and quickly dissipate it once, when it has occurred. Environmental control must be adequate. When it is dry, humidifier should be used. It is recommended to avoid using insulators that easily build static electricity. Semiconductor devices must be stored and transported in an anti-static container, static shielding bag or conductive material. All test and measurement tools including work bench and floor should be grounded. The operator should be grounded using wrist strap. Semiconductor devices must not be touched with bare hands. Similar precautions need to be taken for PW boards with semiconductor devices on it.

② HANDLING OF UNUSED INPUT PINS FOR CMOS

Note: No connection for CMOS device inputs can be cause of malfunction. If no connection is provided to the input pins, it is possible that an internal input level may be generated due to noise, etc., hence causing malfunction. CMOS device behave differently than Bipolar or NMOS devices. Input levels of CMOS devices must be fixed high or low by using a pull-up or pull-down circuitry. Each unused pin should be connected to V_{DD} or GND with a resistor, if it is considered to have a possibility of being an output pin. All handling related to the unused pins must be judged device by device and related specifications governing the devices.

③ STATUS BEFORE INITIALIZATION OF MOS DEVICES

Note: Power-on does not necessarily define initial status of MOS device. Production process of MOS does not define the initial operation status of the device. Immediately after the power source is turned ON, the devices with reset function have not yet been initialized. Hence, power-on does not guarantee out-pin levels, I/O settings or contents of registers. Device is not initialized until the reset signal is received. Reset operation must be executed immediately after power-on for devices having reset function.

NEASCOT-S10 and NEASCOT-S15 are trademarks of NEC Corporation.

The export of this product from Japan is prohibited without governmental license. To export or re-export this product from a country other than Japan may also be prohibited without a license from that country. Please call an NEC sales representative.

No part of this document may be copied or reproduced in any form or by any means without the prior written consent of NEC Corporation. NEC Corporation assumes no responsibility for any errors which may appear in this document.

NEC Corporation does not assume any liability for infringement of patents, copyrights or other intellectual property rights of third parties by or arising from use of a device described herein or any other liability arising from use of such device. No license, either express, implied or otherwise, is granted under any patents, copyrights or other intellectual property rights of NEC Corporation or others.

While NEC Corporation has been making continuous effort to enhance the reliability of its semiconductor devices, the possibility of defects cannot be eliminated entirely. To minimize risks of damage or injury to persons or property arising from a defect in an NEC semiconductor device, customers must incorporate sufficient safety measures in its design, such as redundancy, fire-containment, and anti-failure features.

NEC devices are classified into the following three quality grades:

"Standard", "Special", and "Specific". The Specific quality grade applies only to devices developed based on a customer designated "quality assurance program" for a specific application. The recommended applications of a device depend on its quality grade, as indicated below. Customers must check the quality grade of each device before using it in a particular application.

Standard: Computers, office equipment, communications equipment, test and measurement equipment, audio and visual equipment, home electronic appliances, machine tools, personal electronic equipment and industrial robots

Special: Transportation equipment (automobiles, trains, ships, etc.), traffic control systems, anti-disaster systems, anti-crime systems, safety equipment and medical equipment (not specifically designed for life support)

Specific: Aircrafts, aerospace equipment, submersible repeaters, nuclear reactor control systems, life support systems or medical equipment for life support, etc.

The quality grade of NEC devices is "Standard" unless otherwise specified in NEC's Data Sheets or Data Books. If customers intend to use NEC devices for applications other than those specified for Standard quality grade, they should contact an NEC sales representative in advance.

Anti-radioactive design is not implemented in this product.